



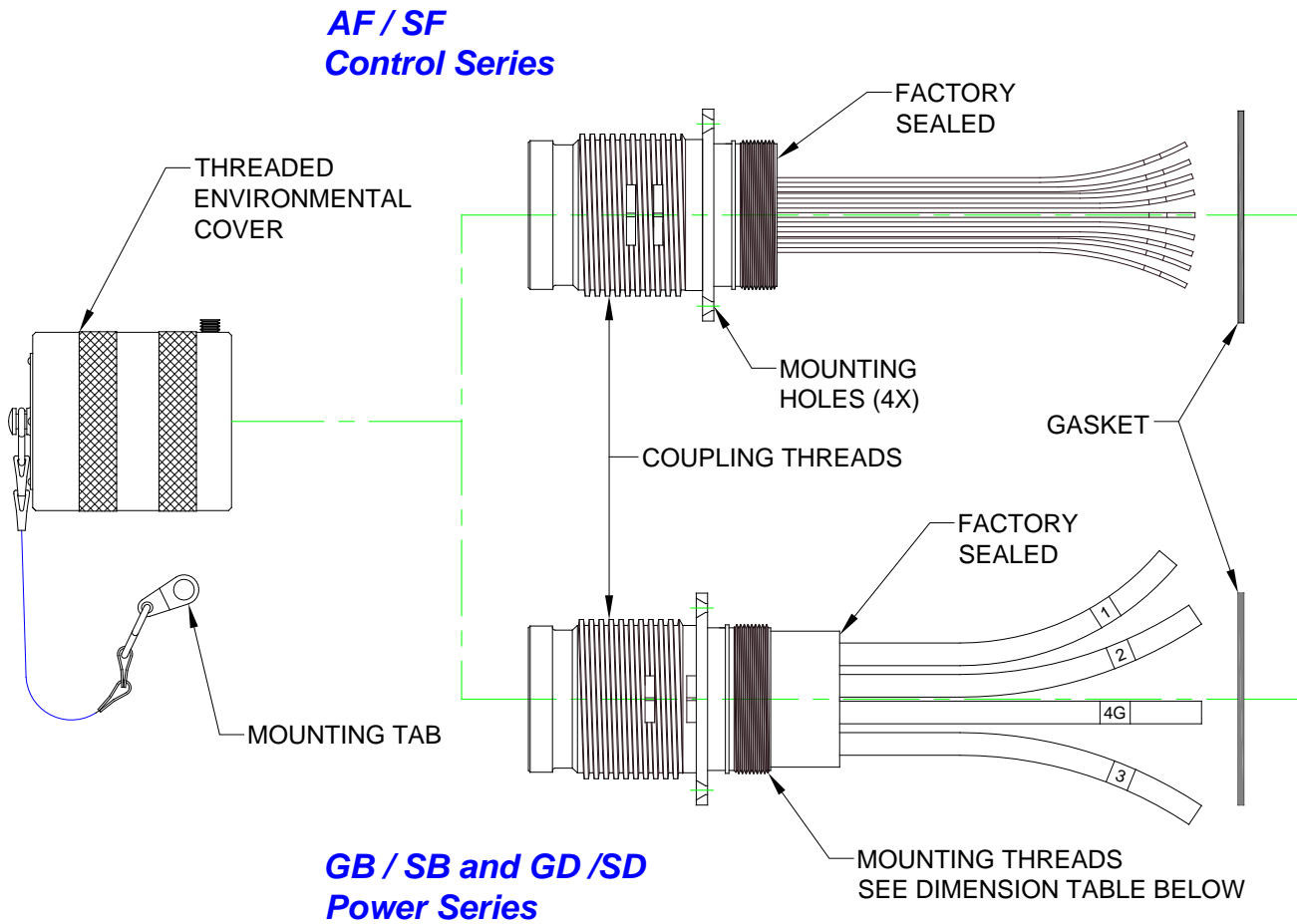
Vantage Technology

Panel Mount Receptacles

AF/SF, GB/SB, and GD/SD Series

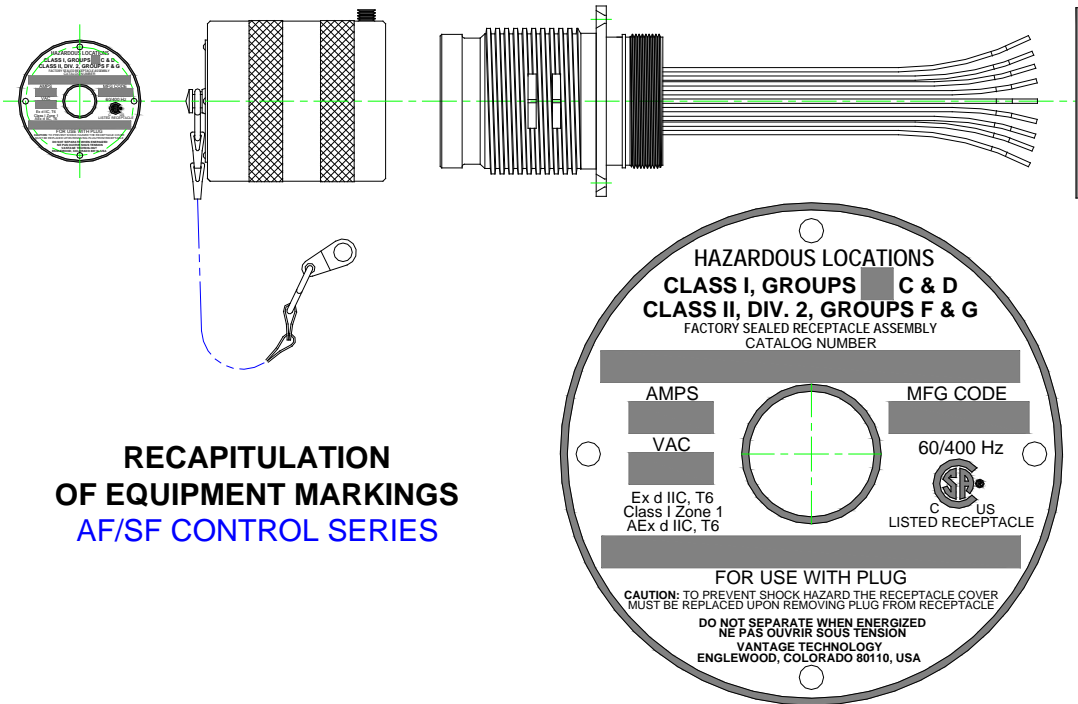
Installation Information

Identification of Principal Parts



Assembly Notes

1. In the event of breaking of sealing compound, receptacle must be returned to factory for resealing. Otherwise, all manufacturing and third party certifications are void.
2. Check dimension table above for mounting hole sizes and locations.
3. Use the receptacle cover mounting tab to prevent cover from being lost while receptacle is in use. **Caution:** To prevent shock hazard the receptacle cover must be threaded onto receptacle when receptacle is not in use. **Attention:** Pour empêcher le risque de choc, remplacez la couverture de réceptacle quand pas en service.
4. Use non conductive lubricant when assembling back shell hardware.

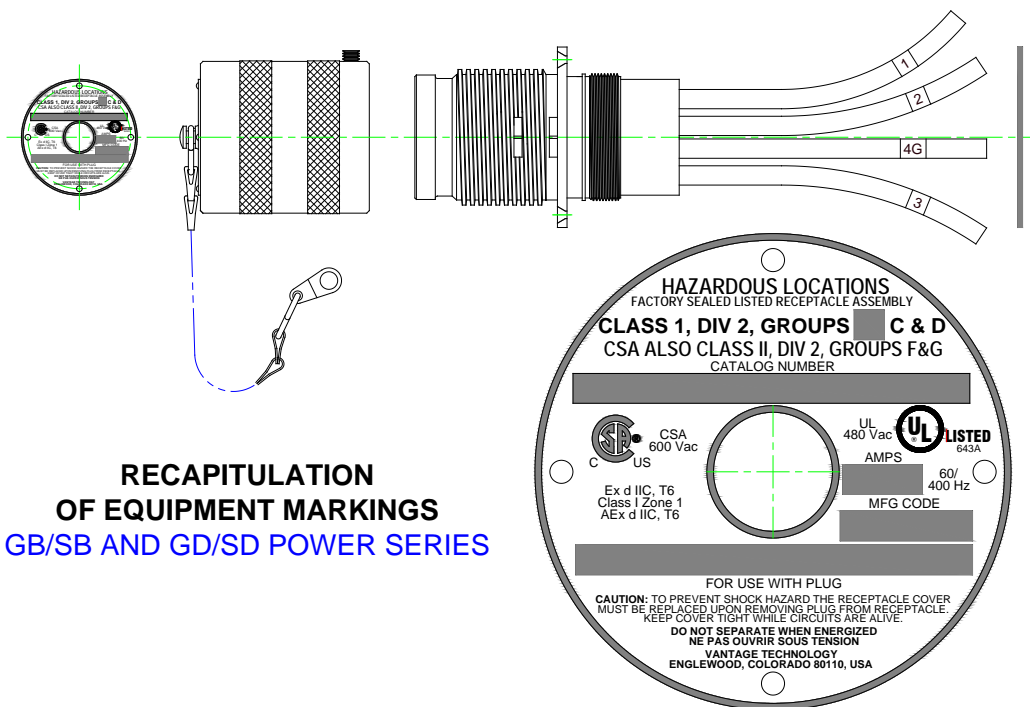


**RECAPITULATION
OF EQUIPMENT MARKINGS
AF/SF CONTROL SERIES**

Reference Product Data Sheets for the nameplate data of your PMR receptacle.

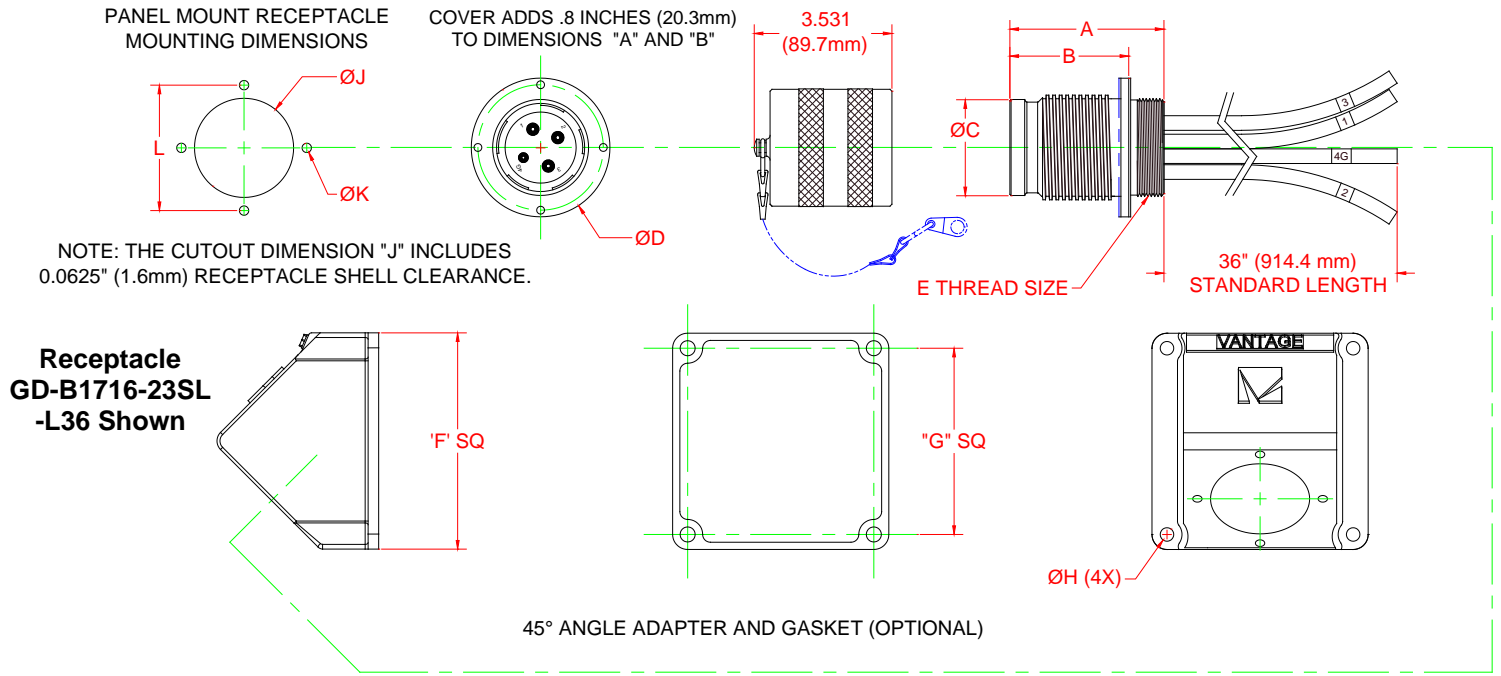
Control Series: PDF-AF-SF-PMR

Power Series: PDF-GD-SD-PMR



**RECAPITULATION
OF EQUIPMENT MARKINGS
GB/SB AND GD/SD POWER SERIES**

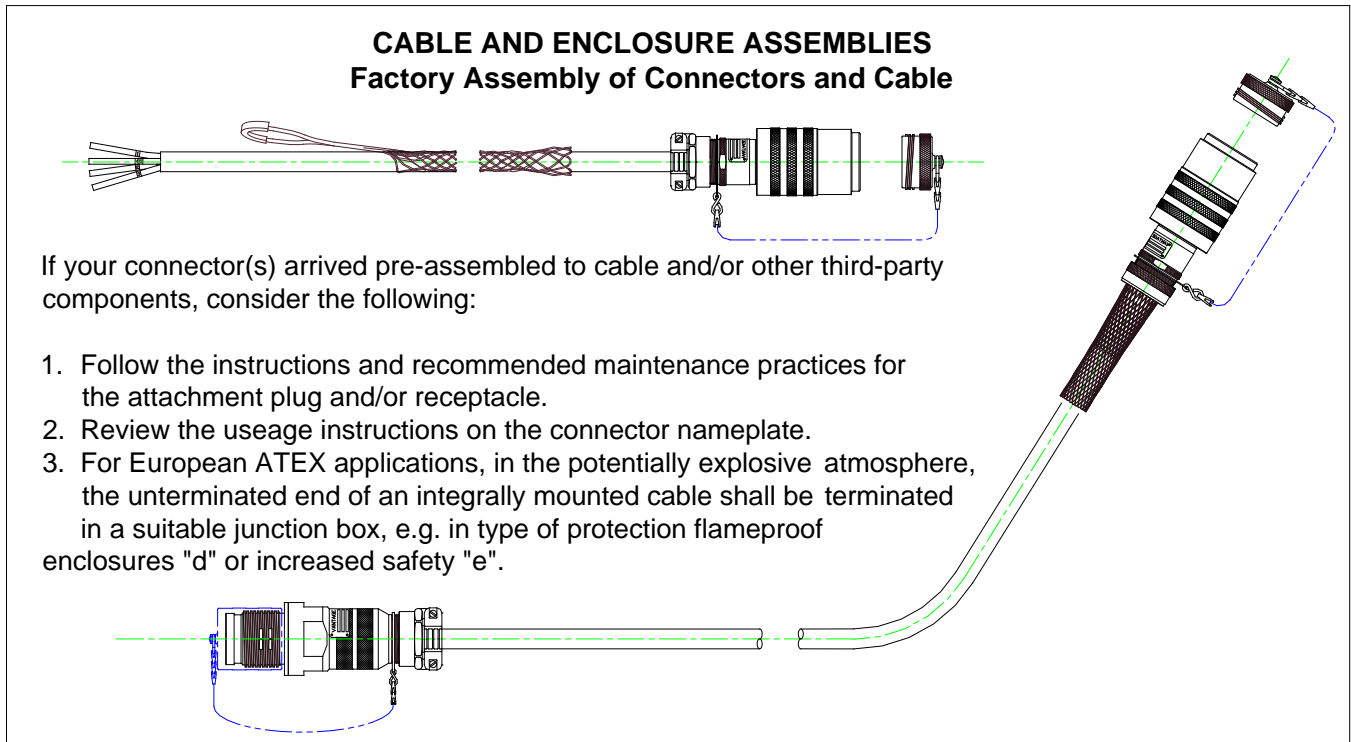
Dimensions



Dimensions for Panel Mount Receptacle						
	Shell Size	A INCHES (mm)	B INCHES (mm)	C INCHES (mm)	D INCHES (mm)	THREAD 'E' G-16UN
AF/SF GD/SD	16	4.063 (103.2)	3.063 (77.8)	1.969 (50.0)	3.063 (77.8)	2
	20	4.063 (103.2)	3.063 (77.8)	2.469 (62.7)	3.563 (90.5)	2 ½
	24	4.063 (103.2)	3.063 (77.8)	2.969 (75.4)	4.188 (106.4)	3 1/8
	28	4.063 (103.2)	3.063 (77.8)	3.469 (88.1)	4.688 (119.1)	3 5/8
GB/SB GDU/SDU	16	5.063 (128.6)	4.063 (103.2)	1.969 (50.0)	3.063 (77.8)	2
	20	5.063 (128.6)	4.063 (103.2)	2.469 (62.7)	3.563 (90.5)	2 ½
	24	5.063 (128.6)	4.063 (103.2)	2.969 (75.4)	4.188 (106.4)	3 1/8
	28	5.063 (128.6)	4.063 (103.2)	3.469 (88.1)	4.688 (119.1)	3 5/8

Maintenance and Inspection

1. When conditions require, lubricate coupling threads with silicone oil, Vantage Part Number VT-9400-21D.
2. Periodically inspect plug to insure that the integrity of the sealing compound is intact.
3. Periodically inspect receptacle for excessive wear. Consult Vantage with any questions regarding repair or replacement.



Note: Electrical installation shall be in compliance with the National Electric Code (NEC), EN/IEC60079-14, and/or any other presiding local or national electrical code.



4140 World Houston Pkwy, Ste 130
Houston, Texas 77032, USA

Voice 303-761-2121
FAX 281-445-7404
E-mail support@VantageXP.com
Web Site www.VantageXP.com