

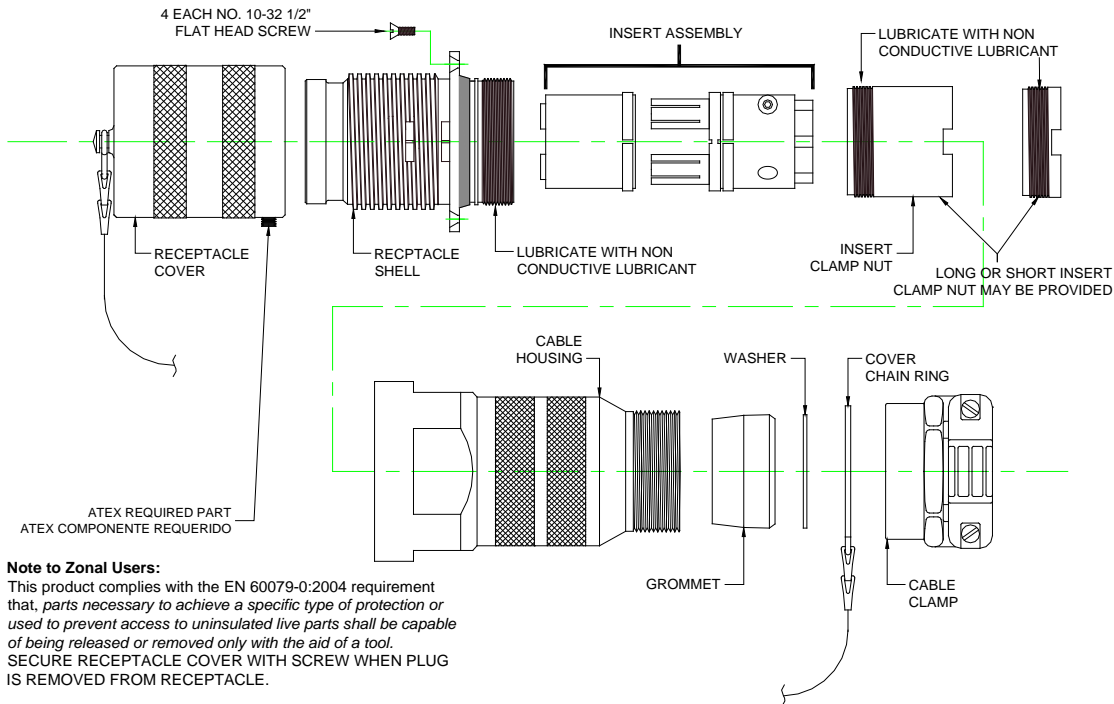


Vantage Technology® GB/GD and SB/SD Series Attachment Receptacle/Cable Connector Termination Instructions

CAUTION: Before installing, make sure you are in compliance with area classifications, failure to do so may result in bodily injury, death and property damage. Do not attempt installation until you are familiar with the following procedures. Installation must comply with the applicable Electrical Code(s). Make sure that the supply circuit is de-energized before starting installation or maintenance. Verify that the installation is grounded. Failure to properly ground the product will create electrical shock hazards, which can cause serious injury or death.

Important: Please read these instructions carefully before installing or maintaining this equipment. Safe electrical practices should be followed at all times and this data should be used as a guide only.

IDENTIFICATION OF PRINCIPAL PARTS



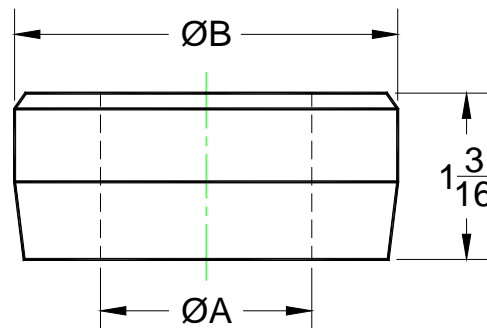
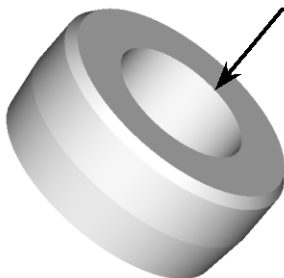
GROMMET SELECTION

It is important that a properly sized grommet has been selected to obtain a good environmental seal. Failure to provide proper environmental sealing can permit moisture or other conductive material to enter the connector resulting in possible electrical failure.

Please use the table on Page 2 to confirm that the grommet ordered fits your cable properly. If not, please contact us for an immediate grommet replacement.

CAUTION!
¡PRECAUCIÓN!

Grommet I.D. must fit cable O.D. range



Dimension A = Max. Cable Diameter
Dimension B varies with Shell Size
Reference Table on Page 2.

GROMMET SELECTION (cont'd)

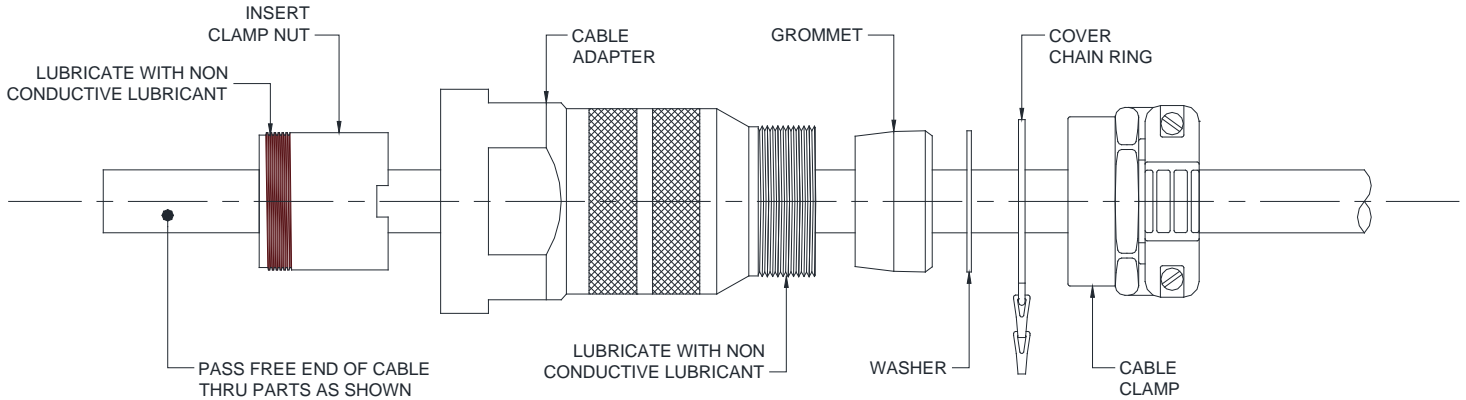
Table 1. Grommet Sizing Table

Shell Size	Dim. B (Inches)	Cable Diameter (Inches)		Cable Diameter Code Number*	Grommet Part Number
		MIN.	MAX., Dim. A		
16	1 23/32	.250	.375	06	VT-6316-6C
		.375	.500	08	VT-6316-8C
		.500	.625	10	VT-6316-10C
		.625	.750	12	VT-6316-12C
		.750	.875	14	VT-6316-14C
		.875	1.000	16	VT-6316-16C
		1.000	1.125	18	VT-6316-18C
		1.125	1.250	20	VT-6316-20C
		1.250	1.375	22	VT-6316-22C
		1.375	1.437	23	VT-6316-23C
20	2 7/32	.500	.625	10	VT-6320-10C
		.625	.750	12	VT-6320-12C
		.750	.875	14	VT-6320-14C
		.875	1.000	16	VT-6320-16C
		1.000	1.125	18	VT-6320-18C
		1.125	1.250	20	VT-6320-20C
		1.250	1.375	22	VT-6320-22C
		1.375	1.500	24	VT-6320-24C
		1.500	1.625	26	VT-6320-26C
		1.625	1.750	28	VT-6320-28C
24	2 23/32	1.750	1.875	30	VT-6320-30C
		1.875	1.937	31	VT-6320-31C
		1.875	1.000	16	VT-6324-16C
		1.000	1.125	18	VT-6324-18C
		1.125	1.250	20	VT-6324-20C
		1.250	1.375	22	VT-6324-22C
		1.375	1.500	24	VT-6324-24C
		1.500	1.625	26	VT-6324-26C
		1.625	1.750	28	VT-6324-28C
		1.750	1.875	30	VT-6324-30C
28	3 5/32	1.875	2.000	32	VT-6324-32C
		2.000	2.125	34	VT-6324-34C
		2.125	2.250	36	VT-6324-36C
		2.250	2.375	38	VT-6324-38C
		2.375	2.437	39	VT-6324-39C
		1.375	1.500	24	VT-6328-24C
		1.500	1.625	26	VT-6328-26C
		1.625	1.750	28	VT-6328-28C
		1.750	1.875	30	VT-6328-30C
		1.875	2.000	32	VT-6328-32C
28	3 5/32	2.000	2.125	34	VT-6328-34C
		2.125	2.250	36	VT-6328-36C
		2.250	2.375	38	VT-6328-38C
		2.375	2.500	40	VT-6328-40C
		2.500	2.625	42	VT-6328-42C
		2.625	2.750	44	VT-6328-44C
		2.750	2.875	46	VT-6328-46C

*The cable diameter code is used to define the grommet size in the connector's catalog part number. For example, connector GD-B1516-51SL-18 comes with a size "18" grommet, to be used with a cable diameter range of 1.00 – 1.125 inches.

Step 1 ASSEMBLY OF ADAPTER COMPONENTS

1. Select one end of the cable for termination. Select cable end with conductor pattern best suited to contact pattern of connector.
2. Pass the cable thru the parts as shown.
3. It is important that a properly sized grommet has been selected to obtain a good environmental seal. The cable should be free of grooves or ridges where the cable grommet seats on the cable.



Step 2 CABLE JACKET & WIRE STRIPPING

Strip cable jacket as shown. Select dimension "A" from Table A to correspond with connector rating and score insulation. To help prevent stranded wire from fraying, do not remove insulation slug until ready to execute Step 3.

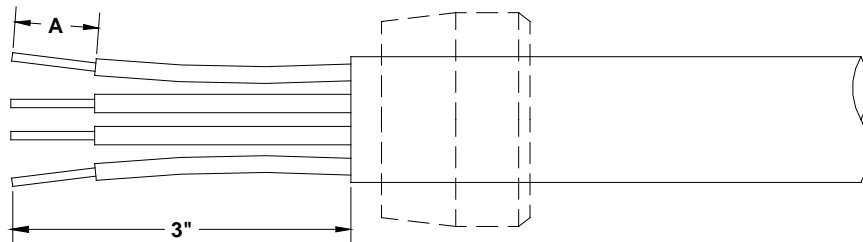
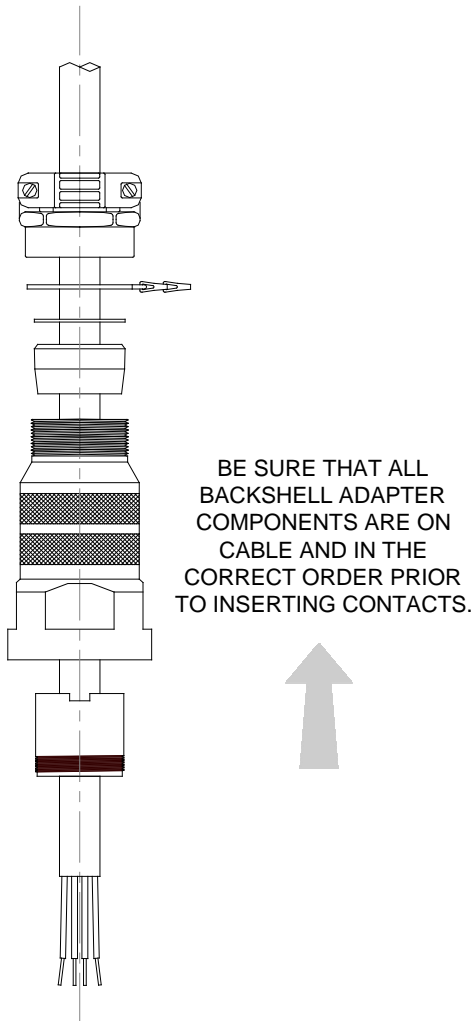


Table 2. Jacket Stripping

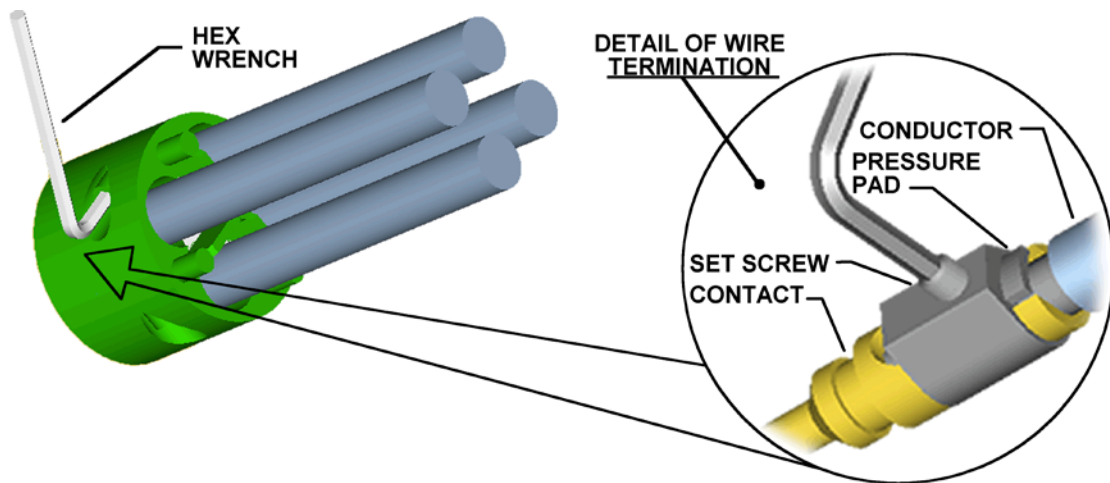
Rating	Dimension "A" (Inches)
30 AMP	3/4
60 AMP	1 1/4
100 AMP	1 3/8
200 AMP	1 1/2

Step 3 TERMINATING CONDUCTORS

Remove the insert assembly from the receptacle shell. Do not disassemble the contacts from the rear rigid insulation and the grey center insulation. Insert all stripped leads into assigned contact termination wells. Close pressure pad assembly on stripped leads per Table 3.

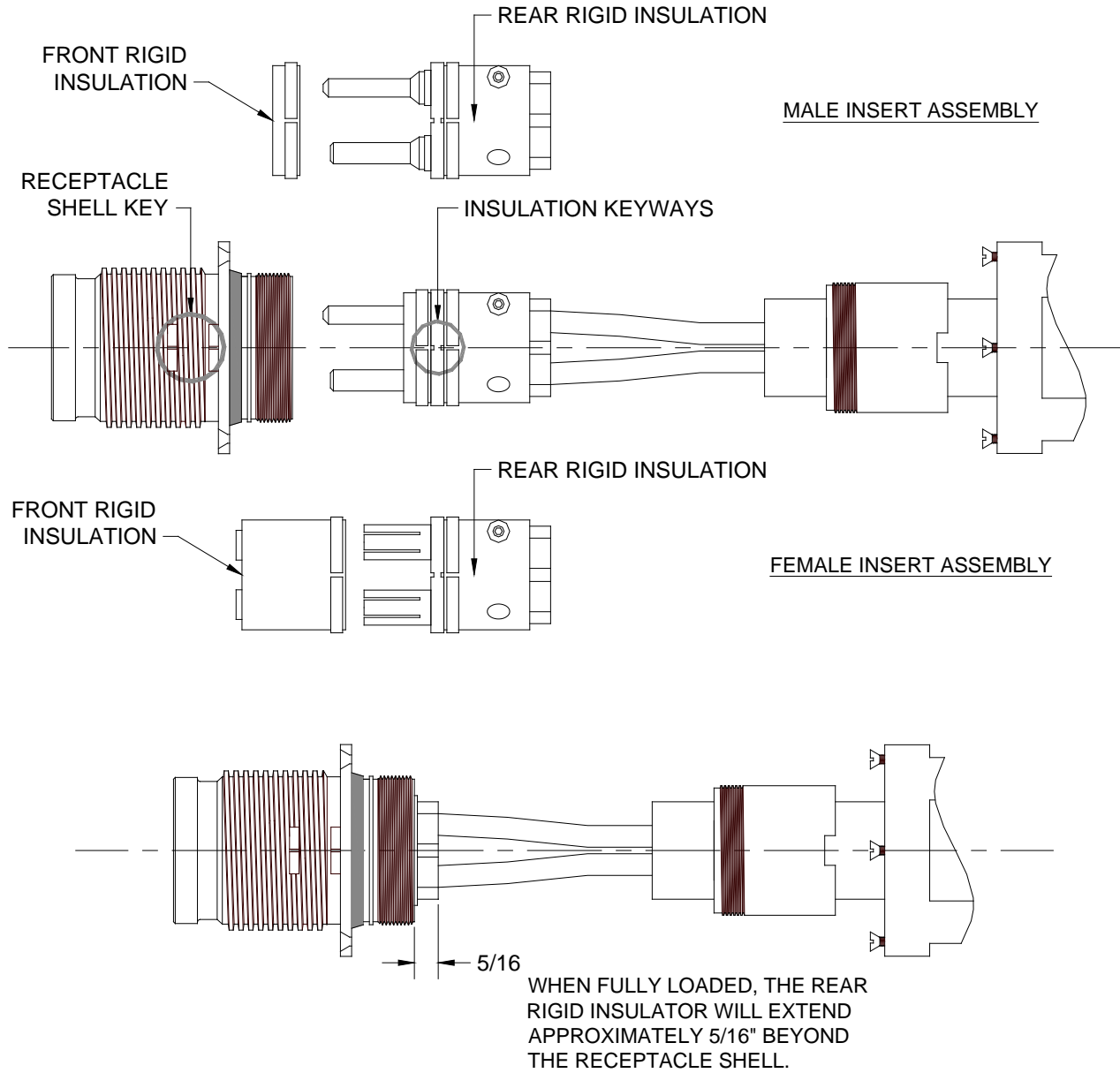


RATING (AMPS)	TORQUE (IN-LB)
10	15
30	26
60	26
100	70
200	120



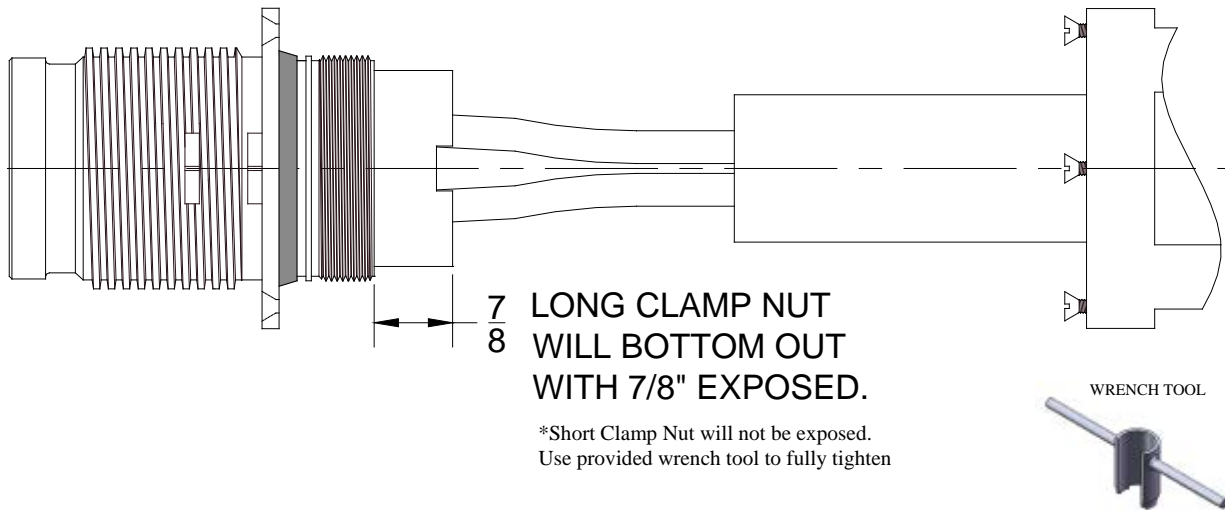
Step 4 ASSEMBLE INSERT INTO RECEPTACLE SHELL

Align the insert keyways with the receptacle shell key, and seat within receptacle shell as shown. The insert assembly must seat fully to shoulder within the shell so that the interior shell threads can be engaged by the insert clamp nut.



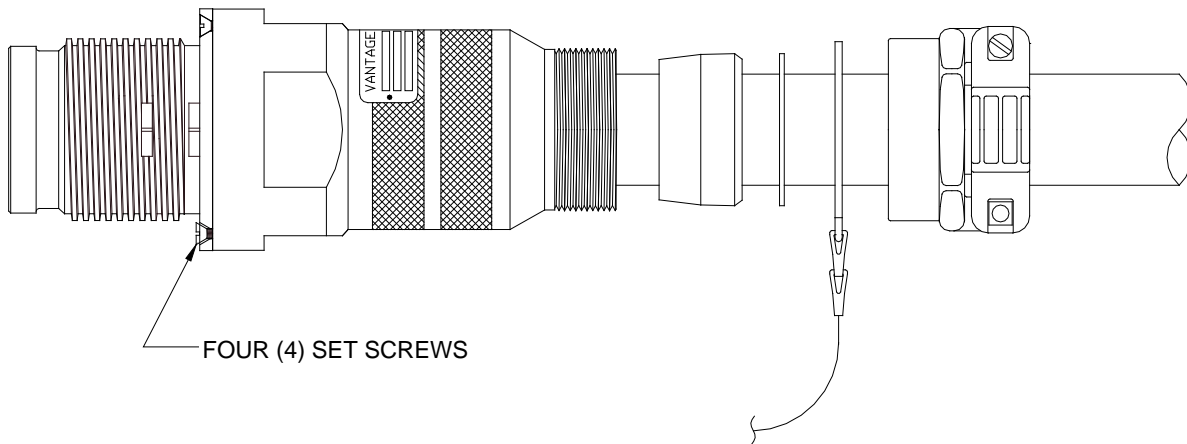
Step 5 CLOSING INSULATION CLAMP NUT

Install the insulation clamp nut. Use suitable spanner or strap wrench to tighten. Clamp nut must bottom out on the insert assembly shoulder and project from the shell $\frac{7}{8}$ " as shown.



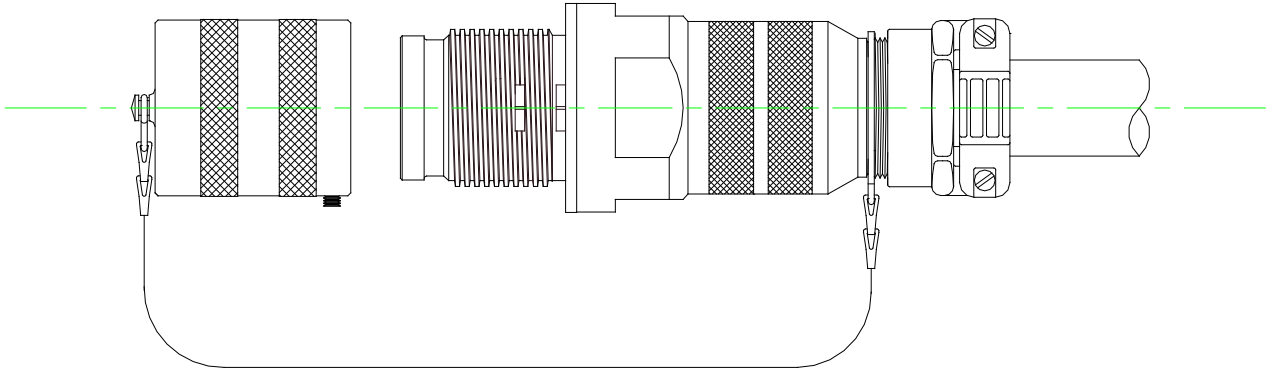
Step 6. CLOSING CABLE HOUSING

Thread cable housing onto back of receptacle shell until tight and gasket creates seal. Back off cable housing until four set screw holes line up. Tighten set screws.



Step 7 FINAL ASSEMBLY

Install cable housing, grommet, washer, and cable clamp nut. Tighten clamp nut and clamp screws.

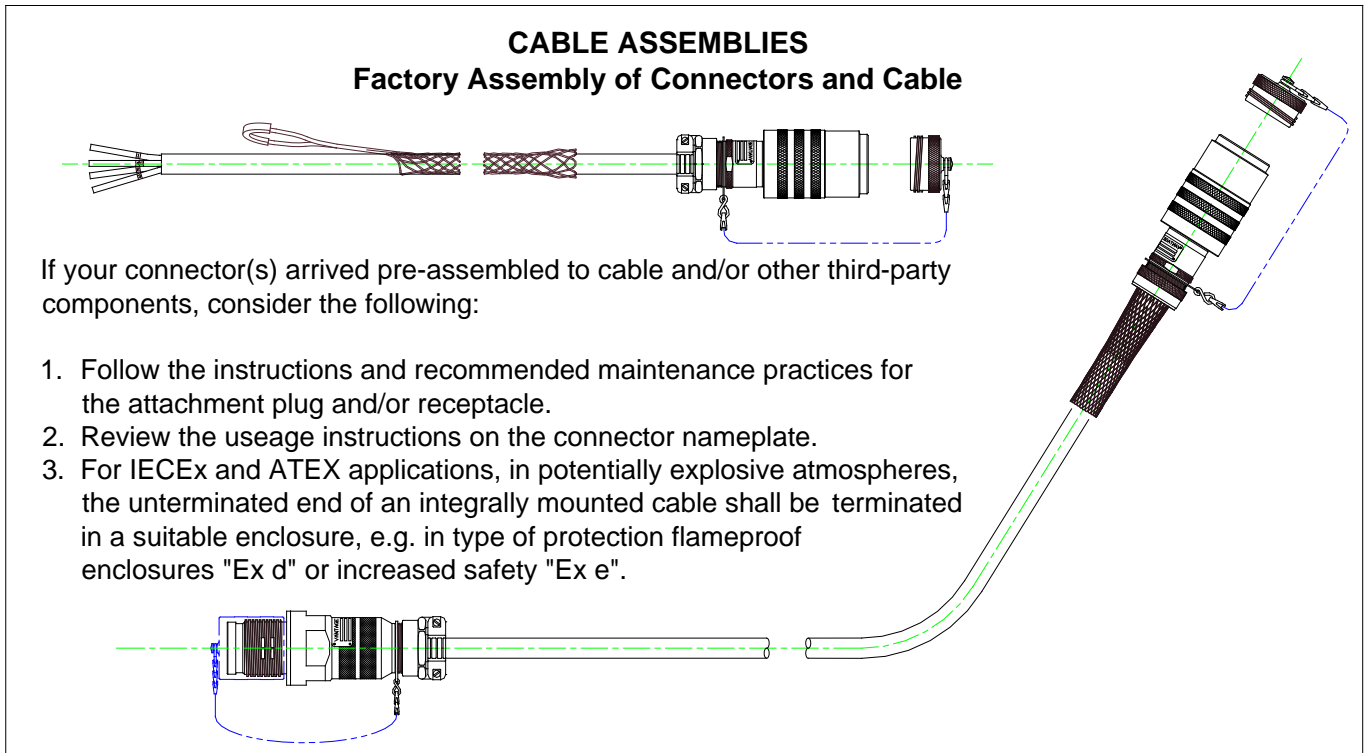


IMPORTANT: When not in use, disconnect supply circuit and thread cover onto receptacle.

IMPORTANTE: Cuando no en uso, desconecte el circuito y vuelve a poner la cubierta del receptáculo.

Notes

1. Periodically and when conditions require, lubricate coupling threads with silicone oil (part number VT-9400-21D), furnished with connector.
2. Periodically inspect receptacle to insure that all thread engagements are secure and that the grommet continues to provide an environmental seal.
3. Periodically inspect receptacle for excessive wear. Consult Vantage with any questions regarding repair or replacement.



Note: Electrical installation shall be in compliance with the National Electric Code (NEC), EN/IEC60079-14, and/or any other presiding local or national electrical codes.



4140 World Houston Pkwy, Ste 130
Houston, Texas 77032, USA

Voice 303-761-2121
FAX 281-445-7404
E-mail support@VantageXP.com
Web Site www.VantageXP.com