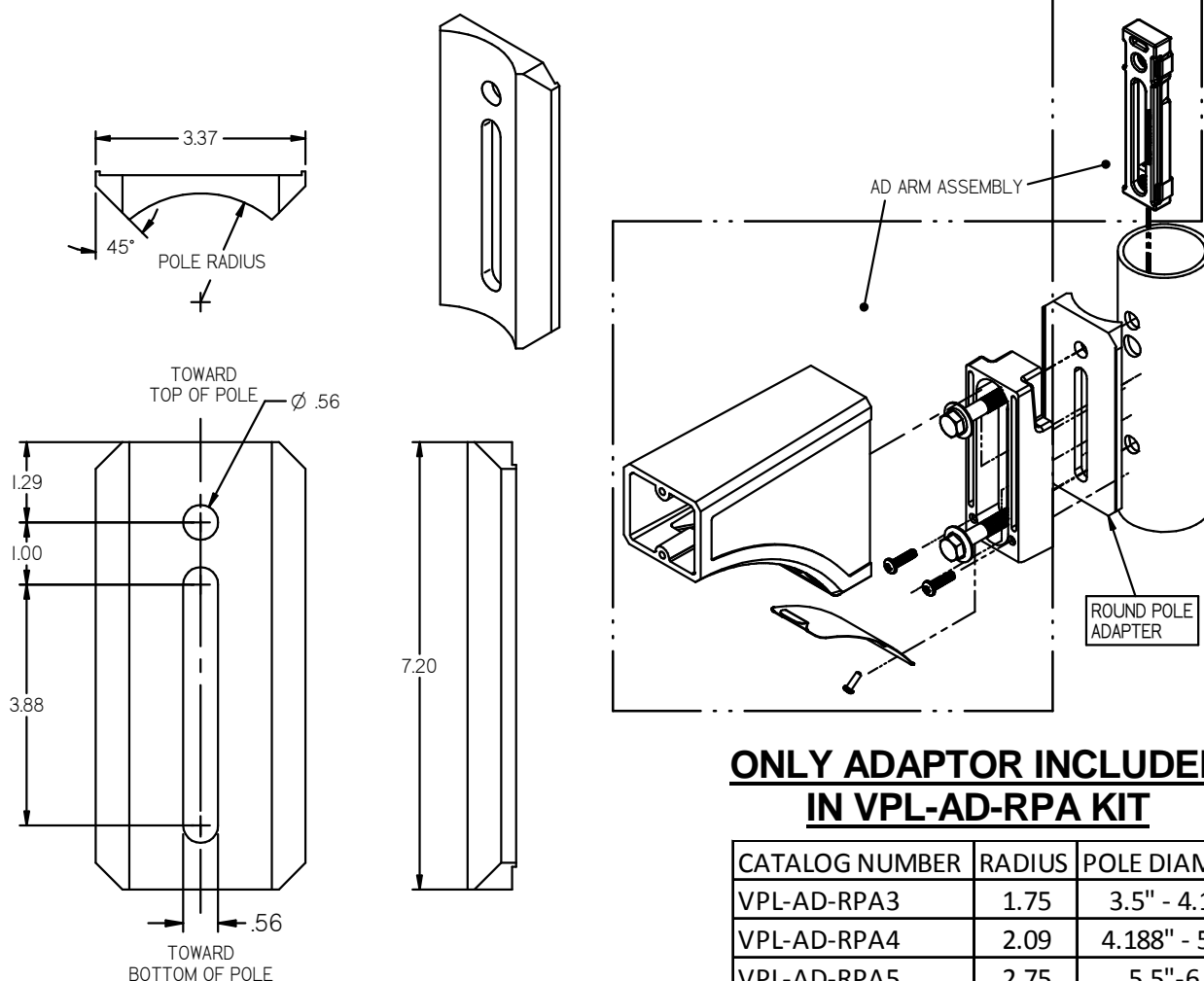


VPL-AD-RPA 3.5" - 6.5" Round Pole Adapter

VIPER ACCESSORY



Compatible with: VIPER



ONLY ADAPTOR INCLUDED IN VPL-AD-RPA KIT

CATALOG NUMBER	RADIUS	POLE DIAMETER
VPL-AD-RPA3	1.75	3.5" - 4.125"
VPL-AD-RPA4	2.09	4.188" - 5.25"
VPL-AD-RPA5	2.75	5.5"-6.5"
VPL-AD-RPA6	2.75	5.5"-6.5"

Mounting Notes:

1. Position pole adaptor with rounded edge to pole and 1/2" holes aligned to pre-drilled holes in pole.
2. Position sliding nut block (supplied with fixture) inside pole on the opposite side of the adaptor.
3. Position adaptor between AD Fixture Arm and pole, and secure by torquing (2) 1/2-13 Hex Bolts (supplied with fixture) at 75 ft-lbs through all, ending in the nut plate.
4. If Viper Fixture Arm is not assembled, secure by torquing (2) 5/16-18 Hex Bolts at 30 ft-lbs through Viper Fixture Housing into the AD Fixture Arm.
5. Consult fixture installation instructions to complete installation.

Shipping Package Contents:

Pole Adaptor (1)
Additional Hardware and Arm is Supplied with Fixture

Material: Aluminum
Finish: Powder Paint
Weight: 2 lbs