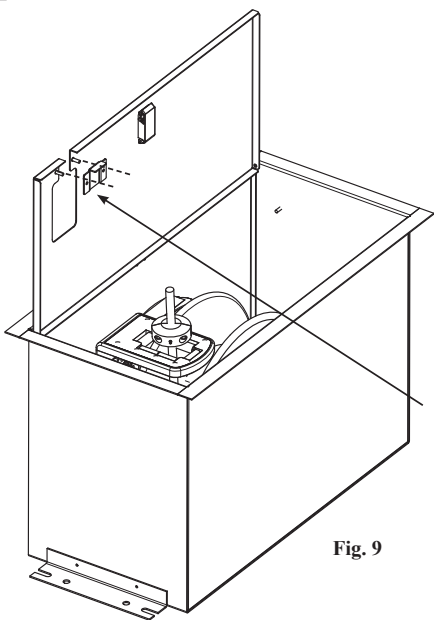


Secure outlet box to studs with provided (2) #8-32 nuts, (tighten nuts to 16 inch/lb) Figure 8.

NOTE: Consult inREACH Cord Reel instructions for Plug and Outlet device requirements. Install appropriate electrical outlet receptacle and cover plate (not included) per manufacturers instructions and NEC.

Fig. 8



If the Cord Reel plug is too large to fit through the opening in the door, temporarily remove the door bracket to slide the cord through, then re-assemble door bracket, (tighten nuts to 16 inch/lb) Figure 9.

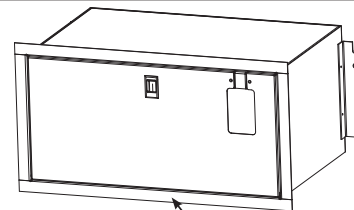
Fig. 9



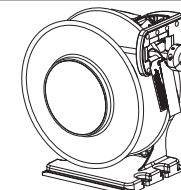
Catalog Number:
HBLIPRBOX



4" Square Outlet Box (included)



Enclosure



inREACH Cord Reel sold separately

Kit includes: (1) Enclosure (1) 4" Square Outlet Box, Cord Reel brackets and internal mounting hardware. Cord reel with cord, plugs, power receptacle and cover plate sold separately.

Note: Enclosure is Suitable for Use in Other Environmental Air Space (Plenums) in Accordance with Section 300.22(c) of the National Electrical Code.

NOTE: Maximum Weight Capacity = 75 Lbs.

1 Enclosure Installation:

1) Install (4) threaded rods (MAX. 5/16" diameter) or (4) appropriate load rated braided cables to building structure in accordance to national and local building code. **Requires dedicated support rod/cables per NEC 300.11**

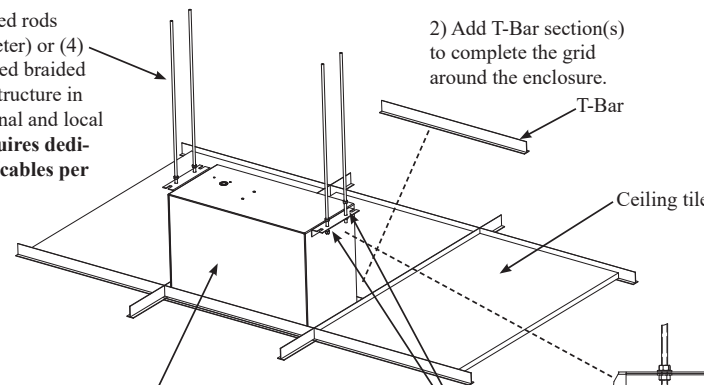


Fig. 1

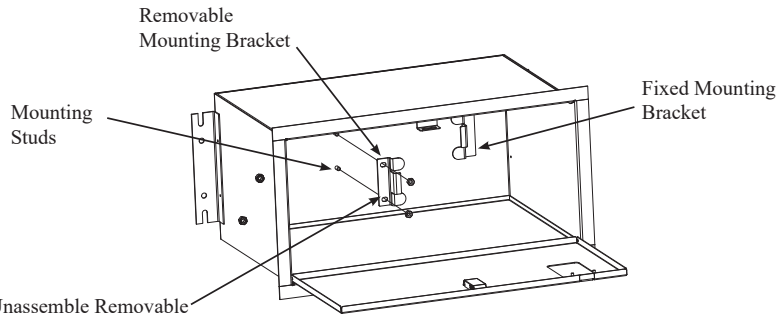
2) Add T-Bar section(s) to complete the grid around the enclosure.

3) Attach unit to threaded rods or hanging support cables prior to cord reel installation and wiring. (Not provided)

4) When threaded rods are used, secure enclosure to rods using appropriate washers and hex nuts. (2) washers and hex nuts per rod, Figure 1A.

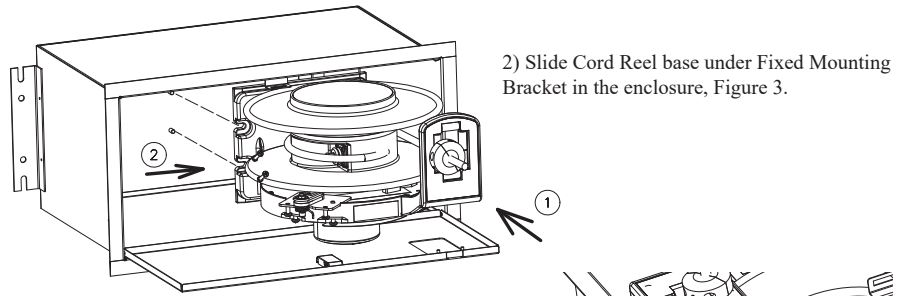
NOTE: For enclosure installation details refer to national and local building codes.

Fig. 1A



1) Unassemble Removable Mounting Bracket and set aside, Figure 2.

Fig. 2



2) Slide Cord Reel base under Fixed Mounting Bracket in the enclosure, Figure 3.

Fig. 3

3) Base slides under Fixed Mounting Bracket, Figure 4

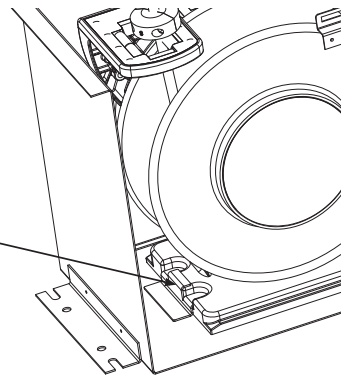
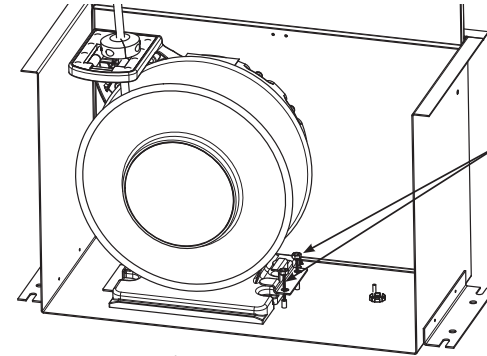
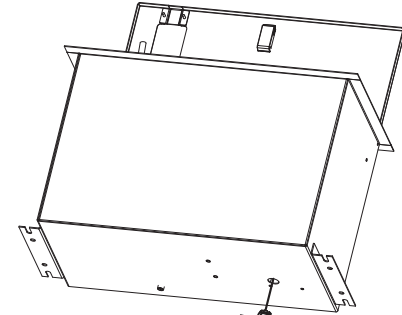


Fig. 4



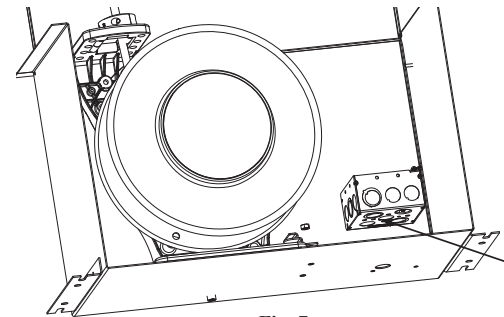
4) Place Removable Mounting Bracket on Cord Reel base over studs. Secure Removable Mounting Bracket with (2) nuts, (tighten nuts to 20 inch/lb Min.) Figure 5.

Fig. 5



1) Remove Knock Out Plug from Enclosure, Figure 6.

Fig. 6



2) Remove Knock Out from 4" Square Outlet Box, Figure 7.

Fig. 7