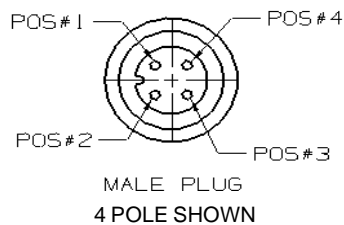
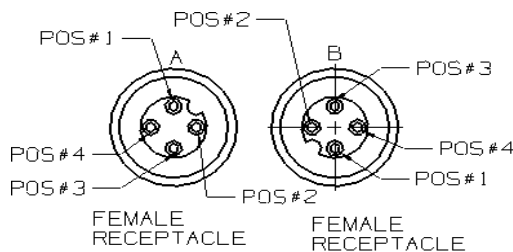
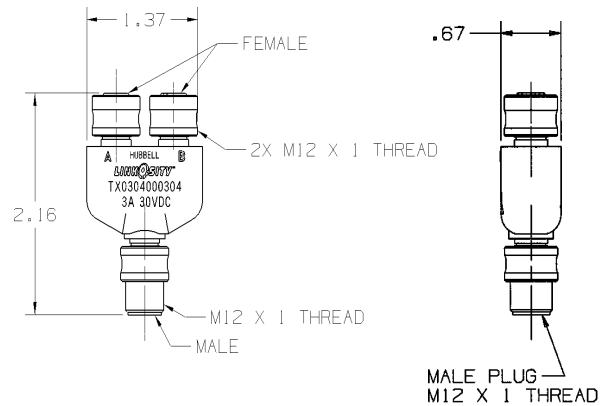


LINKOSITY™ 3A SINGLE KEY TEE

30 VDC 3 AMP PER INDIVIDUAL OUTPUT; 3 AMPS TOTAL PER TEE

English



GENERAL

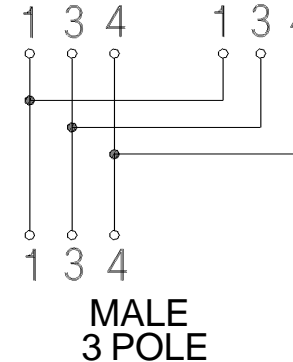
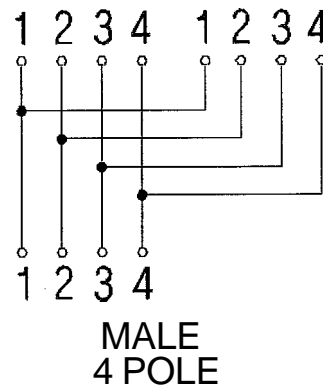
The Linkosity™ Tee is a prewired distribution module through which there is an input and two outputs. The outputs are 3-WIRE and 4- WIRE female receptacles which accept Linkosity™ Tee single Keyway Male In-line Plugs with external M12x1 threads. The Tee is designed so that mating cables can be easily and quickly attached or detached.

Enclosure Types 4, 4X, 12, 13 only when all connections and coupling nuts to utilized inputs and outputs are FULLY TIGHTENED and closure caps are FULLY TIGHTENED on all unutilized outlets.

- NOTICE:** The installation by a qualified electrician in accordance with national and local electrical codes and following instructions.
- CAUTION: RISK OF ELECTRIC SHOCK. Disconnect power before installing. Never wire energized components. NOT FOR INTERRUPTING CURRENT. DO NOT CONNECT OR DISCONNECT UNDER LOAD.**
- Check that the devices' Enclosure Type rating and electrical ratings are suitable for this application.
- NOTICE:** When mating with a connector with a different current rating, the lower current rating shall be used.

INSTALLATION

- The Linkosity™ Tee should be located as close as practical to the devices which will be connected to the output receptacles.
- The installation site should be within the temperature range of -20° to 105°C and should be in an area away from moving machine components, vibration and other hazards.
- The Linkosity™ Tee should be mounted to a flat surface to insure that the device is not damaged or overstressed when securing the mounting hardware.
- Check to be sure that the mounting of the Linkosity™ Tee does not interfere with or cause damage to other systems such as water systems, electrical systems, etc.
- To connect plugs, align each mating key and keyways and push each plug into receptacle. Secure in place by threading each coupling nut onto the Tee receptacle shell and tighten to 6 lb•in (0.678 N•m) torque.
- To disconnect plugs, rotate the coupling nut counterclockwise until it is free of the Tee receptacle shell. Grasp the plug body and pull the plug free. Never pull on the cable to disengage the plug.
- All unutilized outlets must be covered with closure caps. If additional closure caps are needed, consult manufacturer.



Linkosity™ is a trademark of Lockheed Martin.

Wiring Device-Kellems
Hubbell Incorporated (Delaware)
185 Plains Road
Milford, CT 06460-8897
(203) 882-4800

