

HUBBELL CIRCUIT - LOCK™ SAFETY-SHROUD TWIST LOCK® MECHANICAL INTERLOCK REPLACEMENT COVER

Installation Instructions

GENERAL INFORMATION

CAUTION: Risk of electric shock. More than one disconnect switch may be required to de-energize this equipment before servicing. Disconnect ALL power supplies to enclosure before exposing interior.

NOTICE: For installation by a qualified electrician in accordance with national and local Electrical codes and the following instructions.

NOTICE: Receptacle MUST be re-installed BEFORE connection to power supply.
30 Amp Maximum receptacle rating. See ratings table and wiring diagrams.

NOTICE: This enclosure must NOT be used as a junction box for feed-through connections.

NOTICE: Separate overcurrent protection must be provided in accordance with National Electrical Code® Article 220 or Canadian Electrical Code, Section B, as appropriate. Overcurrent protection MUST NOT exceed the ampere rating of the receptacle. [Ref. National Electrical Code®, Part 1, Rule 430-42(c) or Canadian Electrical Code®, Subrule 28-602(3)(c)(i)]. Suitable for use on a circuit capable of delivering not more than 10,000 rms symmetrical amperes at the voltage rating of the receptacle.

This enclosure includes a lockout provision: ON-OFF control knob (in the OFF position) accepts up to 5/16 inch (8mm) diameter shackle of a suitable padlock. Lockout device to isolate energy from the connected equipment as a method of compliance to OSHA Lockout/Tagout Regulation 29 CFR Part 1910.147. This feature however, does NOT isolate the power supplied to the enclosure during internal servicing of the enclosure.

MOUNTING INSTRUCTIONS

- (1.) Remove the four (4) cover mounting screws and remove the old cover. Switch handle must be "off" to remove cover.
- (2.) Disconnect wiring to receptacle. Remove the four (4) receptacle mounting screws and remove it from the old cover.



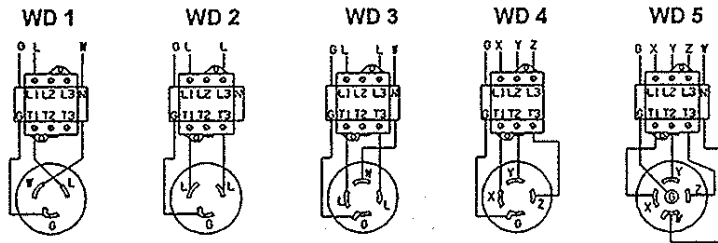
HUBBELL CIRCUIT - LOCK™ SAFETY-SHROUD TWIST LOCK® MECHANICAL INTERLOCK REPLACEMENT COVER

WIRING INSTRUCTIONS

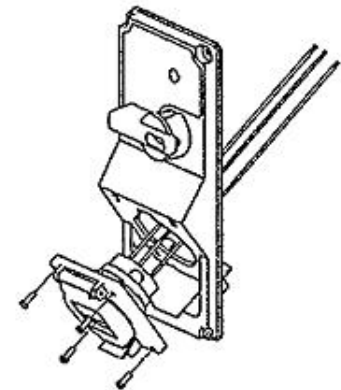
- (3.) Refer to the receptacle wiring instructions and re-connect wiring to the receptacle.
Tighten the terminal screws to 18 pound inch (2.0 N•m)
TAKE CAUTION THAT THERE ARE NO STRAY WIRE STRANDS.

INTERLOCK RATING 30 A MAX, 600 VAC / 600 V CA MAX ¹ CARACTÉRISTIQUES DU DISPOSITIF DE VERROUILLAGE CARACTERÍSTICAS DE LA TRABA				RECEPTACLE (SUPPLIED SEPARATELY) PRISE DE COURANT (FOURNI SÉPARÉMENT) TOMACORRIENTE (SE PROVEE APARTE)		MATING PLUG PRISE DE COURANT CLAVIJA CORRESPONDIENTE	
AMPERES	VOLTS AC ¹ VOLTS CA ¹	HP MAX ¹	DIAGRAM SCHEMA DIAGRAMA	CATALOG N° N° DE RÉFÉRENCE N° DE CATÁLOGO	RATING CARACTÉRISTIQUES CARACTERÍSTICAS	CATALOG N° N° DE RÉFÉRENCE N° DE CATÁLOGO	
20	120 1Ø	1	WD 1	HBL2310SW	20A 125V	HBL2311SW	
20	208-240 1Ø	2.5	WD 2	HBL2320SW	20A 250V	HBL2321SW	
20	277 1Ø	3	WD 1	HBL2330SW	20A 277VAC	HBL2331SW	
20	120/240 1Ø	2.5 L-L	WD 3	HBL2410SW	20A 125/250V	HBL2411SW	
20	240 3Ø	5 (3@208V)	WD 4	HBL2420SW	20A 250V 3Ø	HBL2421SW	
20	480 3Ø	10	WD 4	HBL2430SW	20A 480V 3Ø	HBL2431SW	
20	120/208 3ØY	3	WD 5	HBL2510SW	20A 120/208V 3ØY	HBL2511SW	
30	120 1Ø	1	WD 1	HBL2610SW	30A 125V	HBL2611SW	
30	208-240 1Ø	2.5	WD 2	HBL2620SW	30A 250V	HBL2621SW	
30	120/240 1Ø	2.5 L-L	WD 3	HBL2710SW	30A 125/250V	HBL2711SW	
30	240 3Ø	5	WD 4	HBL2720SW	30A 250V 3Ø	HBL2721SW	
30	480 3Ø	10	WD 4	HBL2730SW	30A 480V 3Ø	HBL2731SW	
30	600 3Ø	-	WD 4	HBL2740SW	30A 600V 3Ø	HBL2741SW	
30	120/208 3ØY	5 L-L	WD 5	HBL2810SW	30A 120/208V 3ØY	HBL2811SW	

¹VOLTAGE (AC ONLY) AND HORSEPOWER RATINGS ARE DETERMINED BY THE SWITCH BUT MAY BE LIMITED BY THE AMPERE RATING OF THE RECEPTACLE.



NOTE: "G" designates grounding wire (bare, green or green with yellow stripe) and yellow and green grounding buss.
"N" designates the blue neutral (grounded) buss.
"W" designates the white neutral (grounded) wire.



- (4.) Mount the receptacle to the enclosure cover.
NOTICE: Make sure the lock ring arrows are aligned prior to mounting the receptacle. Misalignment of the lock ring will prevent insertion of a Safety-Shroud™ Twist-Lock® plug and will result in improper functioning of the interlock.
NOTICE: Make sure that the lock ring tabs engage the block.
Install the gasket as shown.
Use the four (4) #10 x 3/4 inch (19mm) thread-forming screws provided to mount the receptacle To the cover. Tighten screws to 20 pound-inches (2.4 N•m)
- (5.) Reinstall the cover. The handle must be in the OFF position. Make sure the rope gasket is properly seated in the groove. Tighten the four cover screws to 18 pounds-inches (2.0 N•m).