

# WIRE CHANNELS FOR 2, 4, 6 AND 10 GANG FLOOR BOXES

## Installation Instructions

Applies to Catalog No.'s **CFB46WW, CFB4WW, AFB2WW, CFB2WW, CFB10WW**

English

**CAUTION:** RISK OF ELECTRIC SHOCK. Disconnect power before installing or servicing.

**NOTICE:** For installation by a qualified electrician in accordance with national and local electrical codes, communication standards, the following instructions, and any instruction included with individual devices.

**NOTICE:** Ensure data/communications circuits are separated from lighting/power circuits in accordance NEC® and CE code requirements.

**CFB46WW** wire channel (see figure 1, [2] screws provided) for use with **AFB4G50, AFB4G50CHI, CFB4G30, CFB4G30CR, CFB4G30R, CFB4G30RCR, CFB4G30CI, CFB4G30RCI, CFB6G30, CFB6G30CR, CFB6G30R, and CFB6G30RCR** series floor boxes.

**CFB4WW** wire channel (see figure 2, [2] screws provided) for use with **AFB4G25, AFB4G25CHI, CFB4G25, CFB4G25CR, CFB4G25R, and CFB4G25RCR** series floor boxes.

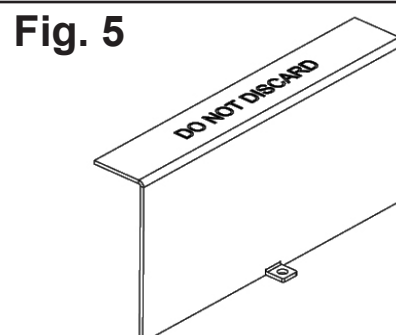
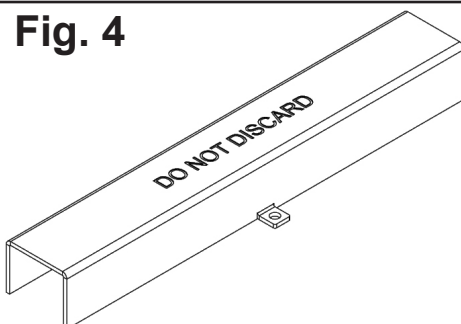
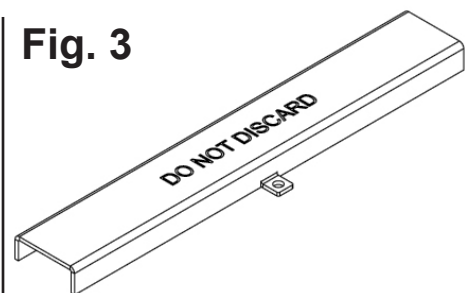
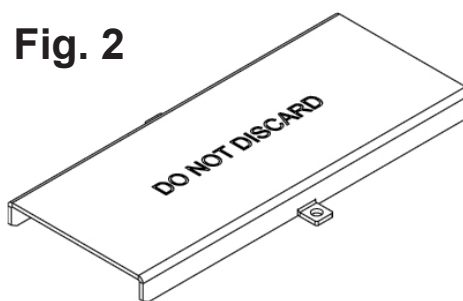
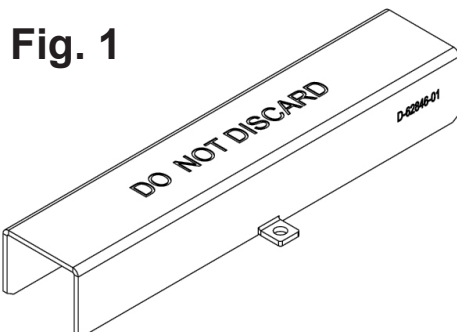
**AFB2WW** wire channel (see figure 3, [1] screw provided) for use with **CFB2G25, CFB2G25CR, CFB2G25R, and CFB2G25RCR** series floor boxes.

**CFB2WW** wire channel (see figure 4, [1] screw provided) for use with **AFB2G50, AFB2G50CHI, CFB2G30, CFB2G30CR, CFB2G30R, and CFB2G30RCR** series floor boxes.

**CFB10WW** wire channel (see figure 5, [1] screw provided) for use with **AFB10G55, AFB10G55CHI, CFB10G55, CFB10G55CR, and CFB10G55RCR** series floor boxes.

**CAUTION:** PLEASE READ ALL INSTRUCTIONS BEFORE BEGINNING.

See Figures for wire channel installation.



- #6-32 x 3/16" length screws provided.
- Attach wire channel to floor box using #6-32 screws.
- Tighten screw to 8-10 in. lbs [.90-1.12 Nm] of torque.