



Wiring Device-Kellems

HUBBELL

SURGE PROTECTIVE DEVICES

HBLSDSA36 Surge Protective Device (SPD) Type 1

Installation Instruction

Introduction

The HBLSDSA36 Secondary Surge Arrester is designed and listed for indoor or outdoor installation and surge protection of single-phase three-wire 120/240 Vac 60 Hz electrical services and major appliances. Two HBLSDSA36 Secondary Surge Arresters can be installed to provide protection on 120/208Y Vac three-phase four-wire services.

NOTE: Use on solidly grounded systems only.

Precautions

⚠ DANGER

HAZARD OF ELECTRIC SHOCK, EXPLOSION, OR ARC FLASH

- Apply appropriate personal protective equipment (PPE) and follow safe electrical work practices. See NFPA 70E.
- This equipment must only be installed and serviced by qualified electrical personnel.
- Turn off all power supplying this equipment before working on or inside equipment.
- Always use a properly rated voltage sensing device to confirm power is off.
- Replace all devices, doors and covers before turning on power to this equipment.
- This equipment must be effectively grounded per all applicable codes. Use an equipment-grounding conductor to connect this equipment to the power system ground.

Failure to follow these instructions will result in death or serious injury.

⚠ WARNING

INADEQUATE GROUNDING HAZARD

Do not use on ungrounded systems.

Failure to follow these instructions can result in death or serious injury.

CAUTION

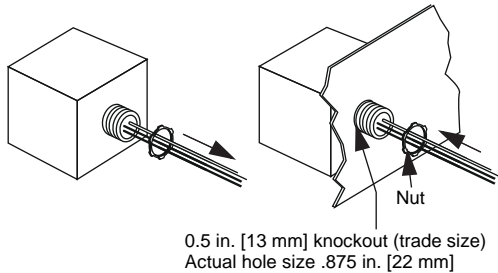
LOSS OF SURGE PROTECTION

Turn off all power supplying the equipment and isolate the surge protective device before Megger® or hi-potential testing.

Failure to follow these instructions can result in equipment damage.

Installation

Figure 1: Mounting Unit



NOTE: The secondary surge arrester must be installed in an accessible location (not within walls).

Figure 2: Diagnostic Operation

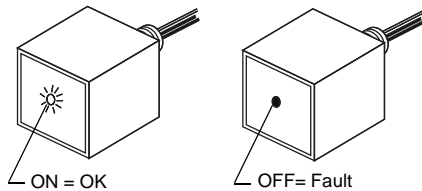
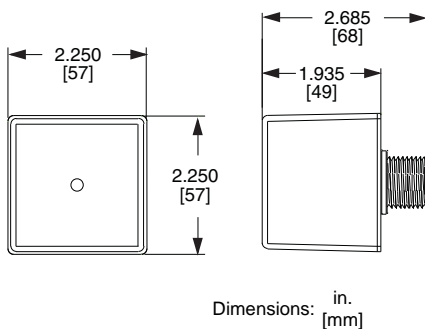


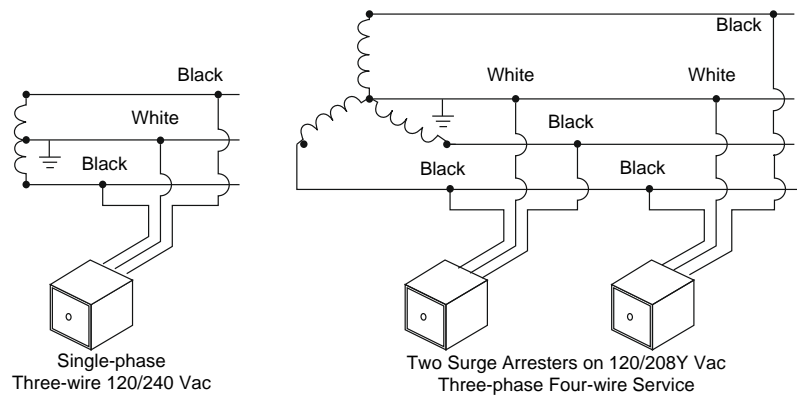
Figure 4: Dimensions



Hubbell Wiring Devices
1-800-729-3406
www.Hubbell-Wiring.com

1. Turn off all power supplying this equipment before working on or inside equipment.
2. For mounting, see Figure 1.
3. Confirm HBLSDSA36 is rated for your system by comparing voltage measurements to the Line Voltage (L-L, L-N) on the product label.
4. Install in accordance with Article 285 of the National Electric Code.
5. Confirm that the electrical terminals used to attach this device are identified for these conductors.
6. Twist conductors 1/2 turn or more for every 12 inches of length.
7. Keep conductor length as short as possible with no sharp bends.
8. Ensure a high quality ground is in place.
9. Install cover and/or close door on equipment.

Figure 3: Wiring Diagrams



Diagnostic Operation

- LED ON = Normal Operation
- LED OFF = Fault, check phase voltage, breakers (if used) and connections. If OK, replace unit. (see Figure 2)

Table 1: General Specifications ^{1 2}

Product Catalog No.	HBLSDSA36
Voltage	120/240 V
VPR	700 V L-N, 1200 L-L
I_n	10 kA
MCOV	150 V L-N, 300 V L-L
Max. Surge Current	36 kA/Phase
Housing Rating	Type 4X
Short Circuit Current Rating	22 kA
Product Weight	.525 lb
Connection Method	Parallel, 14 AWG Wire
Thermal Fusing	Yes
Operating Temperature	-40 to +160 °F (-40 to +70 °C)
Operating Frequency	50/60 Hz
Diagnostics	Green Status LED
Product Standards	ANSI/IEEE C62.11, CSA 233.1-87
cUL _{US} Listed	Type 1 SPD

¹ Suitable for use on a circuit capable of delivering not more than 22 kA rms symmetrical Amperes.

² Contains no serviceable parts.