

INSTALLATION INSTRUCTIONS

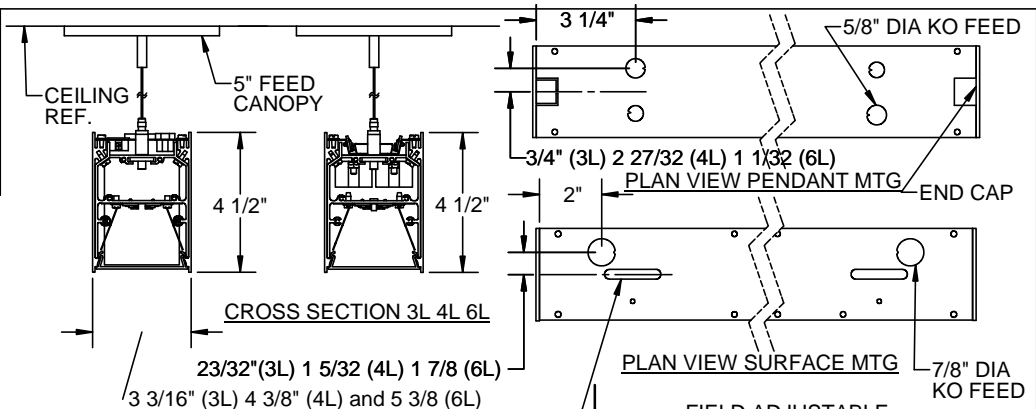
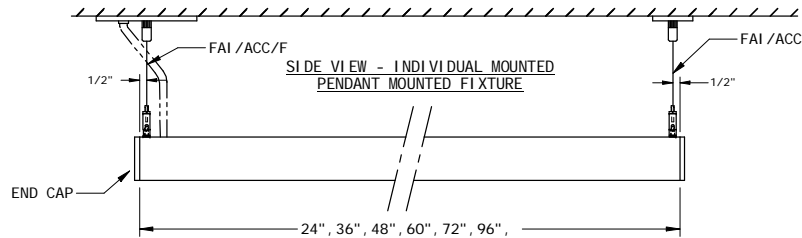
FIXTURE TYPE _____

3L,4L,6L-(P-ID, P-D & S-D)
FIXTURE ASSEMBLY
PG.1 OF 2

P/C 510636-0000

DATE: 11/03/11

DO NOT MODIFY OR ALTER THIS PRODUCT IN ANY WAY, OR INSTALL IN ANY FASHION WHICH IS CONTRARY TO THE INSTRUCTIONS CONTAINED HEREIN.
IF YOU HAVE ANY QUESTIONS REGARDING THIS PRODUCT OR THE INSTALLATION OF IT, PLEASE CALL LITECONTROL ENGINEERING AT 781-294-0100.



GENERAL NOTES: (READ SHEETS COMPLETELY BEFORE STARTING)

1. Leave protective wrapping material on fixture until fixtures are mounted: This will protect finish from damage.
2. Fixtures are supplied with factory installed branch circuit wiring. Refer to supplemental instruction sheet for making connections.
3. Fixtures are hung with aircraft cables only. Cables are shipped separately. Refer to installation instructions for mounting to ceiling. Approximate weight of fixture is 3 1/2 lbs per foot of length.

INSTRUCTIONS:

1. MOUNTING INDIVIDUAL FIXTURES:

Cable Suspension: (Pendants are shipped separately)

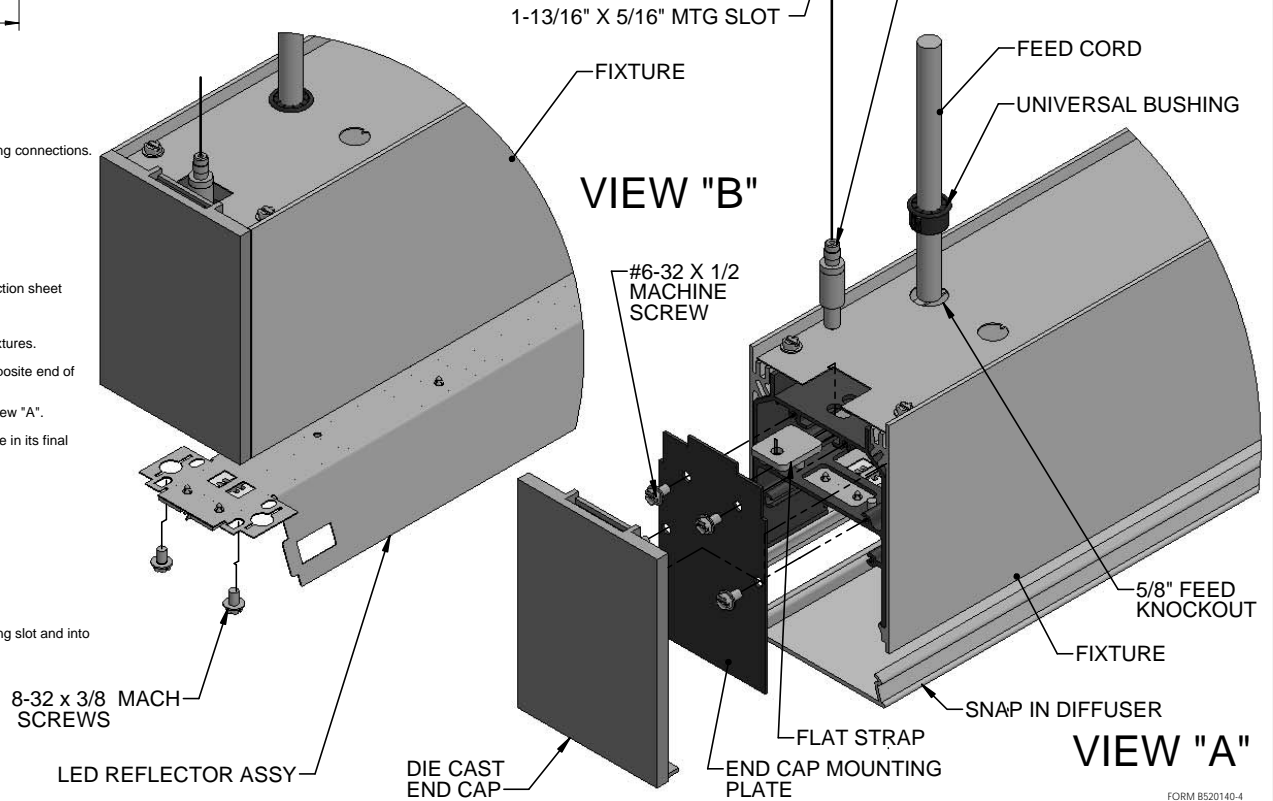
- A) Locate aircraft cables along a straight line in ceiling per dimensions shown in SIDE VIEW. (Refer to cable instruction sheet 510541).
- B) Peel back foam wrapping and remove Led Modules by removing 8-32 machine screws (See View B). Modules have nylon tethers attached to them at the Factory which allow them to hang down while hanging the fixtures.
- C) Insert Flat Strap into fixture at cable location as shown and thread Gripper into strap (See View A). Repeat at opposite end of fixture. Note the orientation of the flat strap it cannot be protruding out on the EOR fixtures.
- D) Attach End Cap mounting plates (shipped separately) to each end with # 6-32 machine screws provided. See View "A".
- E) Lift fixture and mount pendants to ceiling. Level fixture by adjusting gripper up or down on cable to position fixture in its final location. Refer to cable instruction sheet 510541.
- F) Insert Universal Bushing into 5/8" Feed hole in the top of the fixture with Feed Cord & make wiring connections.

GO TO STEP 3 ON PAGE 2.

2. Surface Mount: (Anchor screws supplied by Installer)

- A) Peel back foam wrapping and remove Led Modules by removing sheet metal screws (See View B). Attach end caps per step 1D.
- B) Lift fixture up near ceiling & bring electrical feed thru 7/8" hole & into fixture wireway.
- C) Raise fixture up flush to ceiling & secure with (2) anchor screws & washers (Provided by Others) through mounting slot and into ceiling structure.
- D) Make electrical connections in fixture wireway.

GO TO STEP 3 ON PAGE 2.



LITECONTROL

litecontrol.com

FORM B520140-4

INSTALLATION
INSTRUCTIONS

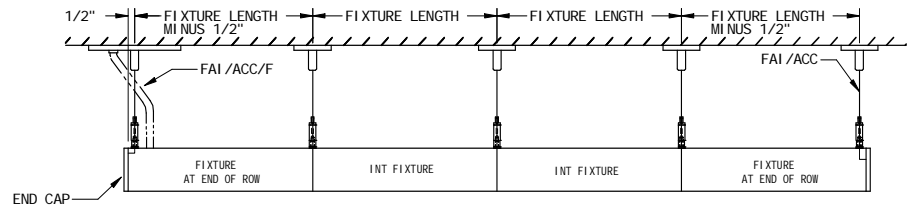
FIXTURE TYPE _____

3L,4L,6L-(P-ID, P-D & S-D)
FIXTURE ASSEMBLY
PG.2 OF 2

P/C 510636-0000

DATE IMG0011

DO NOT MODIFY OR ALTER THIS PRODUCT IN ANY WAY, OR INSTALL IN ANY FASHION WHICH IS CONTRARY TO THE INSTRUCTIONS CONTAINED HEREIN. IF YOU HAVE ANY QUESTIONS REGARDING THIS PRODUCT OR THE INSTALLATION OF IT, PLEASE CALL LITECONTROL ENGINEERING AT 781-294-0100.



- E) At the far end of the 2nd fixture in row, attach another cable assembly with flat strap.
- F) Lift this fixture up and attach cables to ceiling. At fixture joint, align extrusion bracket and insert into adjoining fixture. Secure fixture joint with 6-20 x 2.0" long hex head AB screws as shown in View "C".
- G) Level fixtures by adjusting gripper up or down on cable to position fixture in its final location. Level fixtures
- H) Repeat steps F thru H for each additional fixture in row.
- I) Attach another End Cap and End cap mounting plate over the open end of the last fixture in row.
- J) Insert Universal Bushing onto Feed Cord and insert bushing into 5/8" hole in top of housing and make wiring connections. Wire feed may be brought into abutting fixtures thru wire way opening in End Headers. Make wiring connections.

Surface Mount: (Anchor screws supplied by Installer)

- A) Mount the first fixture in the row per steps 1A-1C. End caps will be attached to each end of row as shown in SIDE VIEW- ROW MOUNTED. Electrical feed can be at any 7/8" hole location in row.
 - B) Mount the next fixture in the row per steps 1A-1C. At fixture joint, align extrusion bracket and insert into adjoining fixture. Secure fixture joint with 6-20 x 2.0" long hex head AB screws as shown in View "C". Repeat this step for each additional fixture in row.
 - C) Branch circuit wires can be brought through ends at each row joint. Make electrical connections in fixture wiring.
3. Replace Led Module Reflectors and install Plug Buttons into any unused cable and feed holes as shown in View "C". Clean fixture exteriors with a general window cleaner.
4. Attach Row Joint Cover Plate at Row Joint as shown in View "D".

5. INSTALLATION OF DIFFUSER

- A) Snap in Diffuser into bottom of housing as shown.
- To remove Diffuser, insert screw driver or flat head pry tool into the side side of the housing and pull down. SEE DETAIL
- "LK" DUST COVER OPTION "SHIPPED SEPARATELY":
PLACE LENSE ONTO LED REFLECTOR MOD ASSY Magnets hold the Diffuser in place.
- 6. Attach End Caps (shipped separately) to each end of row Fixture. End caps are Secured to fixture with magnets provided attached from the factory. Position End Caps so they are flush with sides of housing. See View "A" on page 1.

