

Kick Bollard Installation Instruction

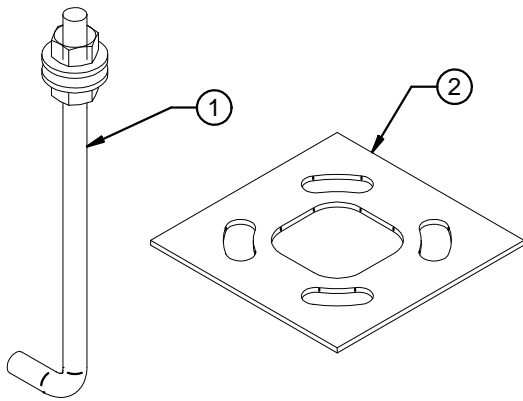
Fixture: KB6 - Kick Bollard



WARNING: Fixtures must be grounded in accordance with local codes or the National Electrical Code. Failure to do so may result in serious personal injury.

MAINTENANCE: A regularly scheduled maintenance program should be established to retain optimum light output and reduce heat retention.

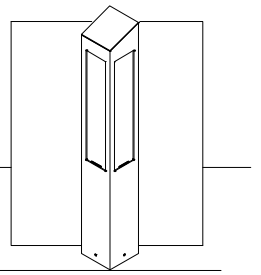
CAUTION: All wiring must be done by a qualified electrician. KEEP THIS SHEET FOR FUTURE REFERENCE.



Tools required:

1. 9/16" Socket & Ratchet Arm
2. Wire connections to incoming power (others)
3. 3/16" Allen Wrench

2	1	93069764	TMPLT-MTG-KB6
1	4	A90007	BOLT-ANCH 1/2 x10 x2
ITEM #	QTY	PART #	DESCRIPTION

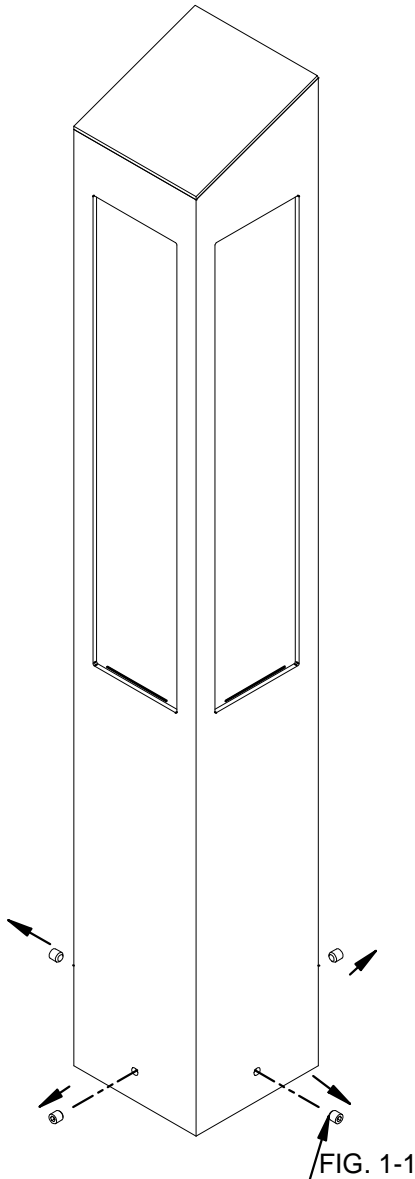


Kick Bollard Installation Instruction

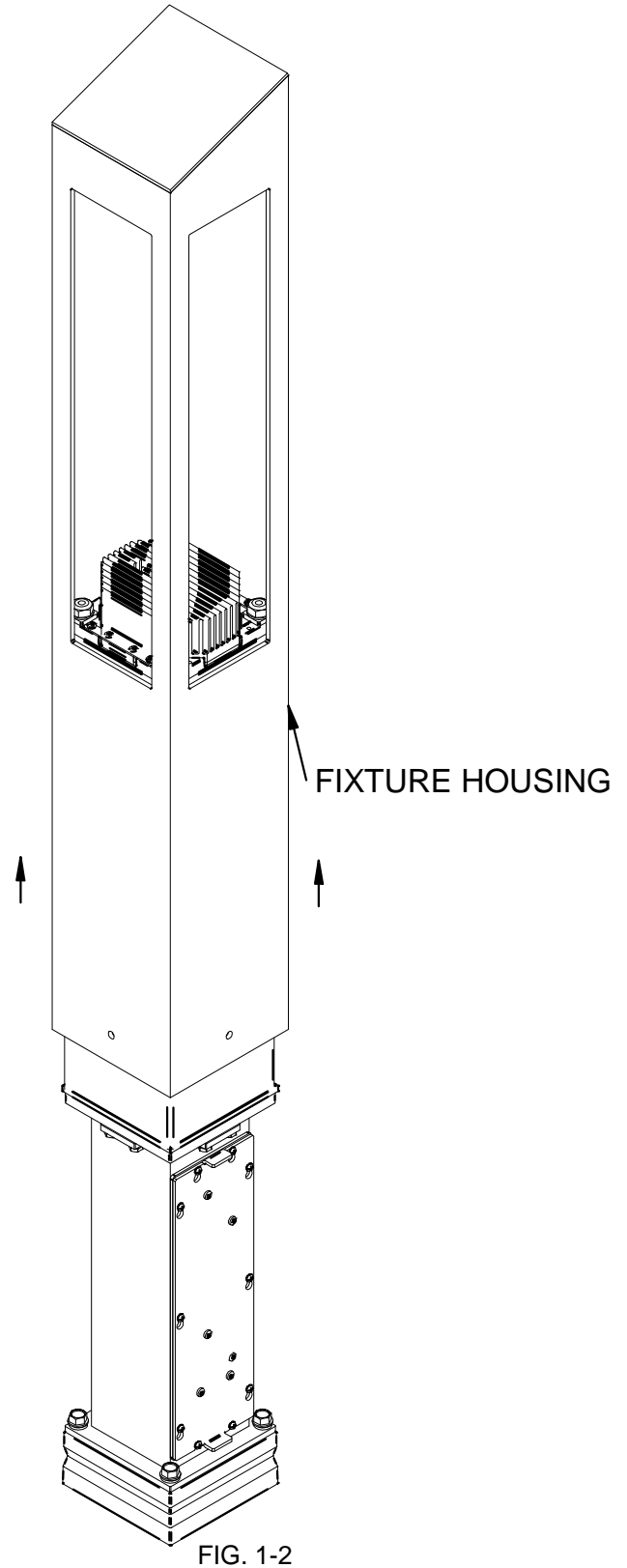
Fixture: KB6 - Kick Bollard

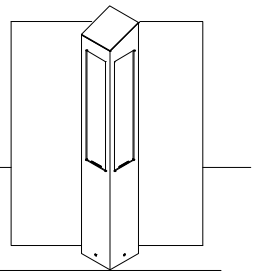
1. REMOVE SET SCREWS

1. Remove 4 x 3/8-16 set screws.
2. Remove the fixture housing by pulling the housing upward.



3/8-16 SET SCREWS



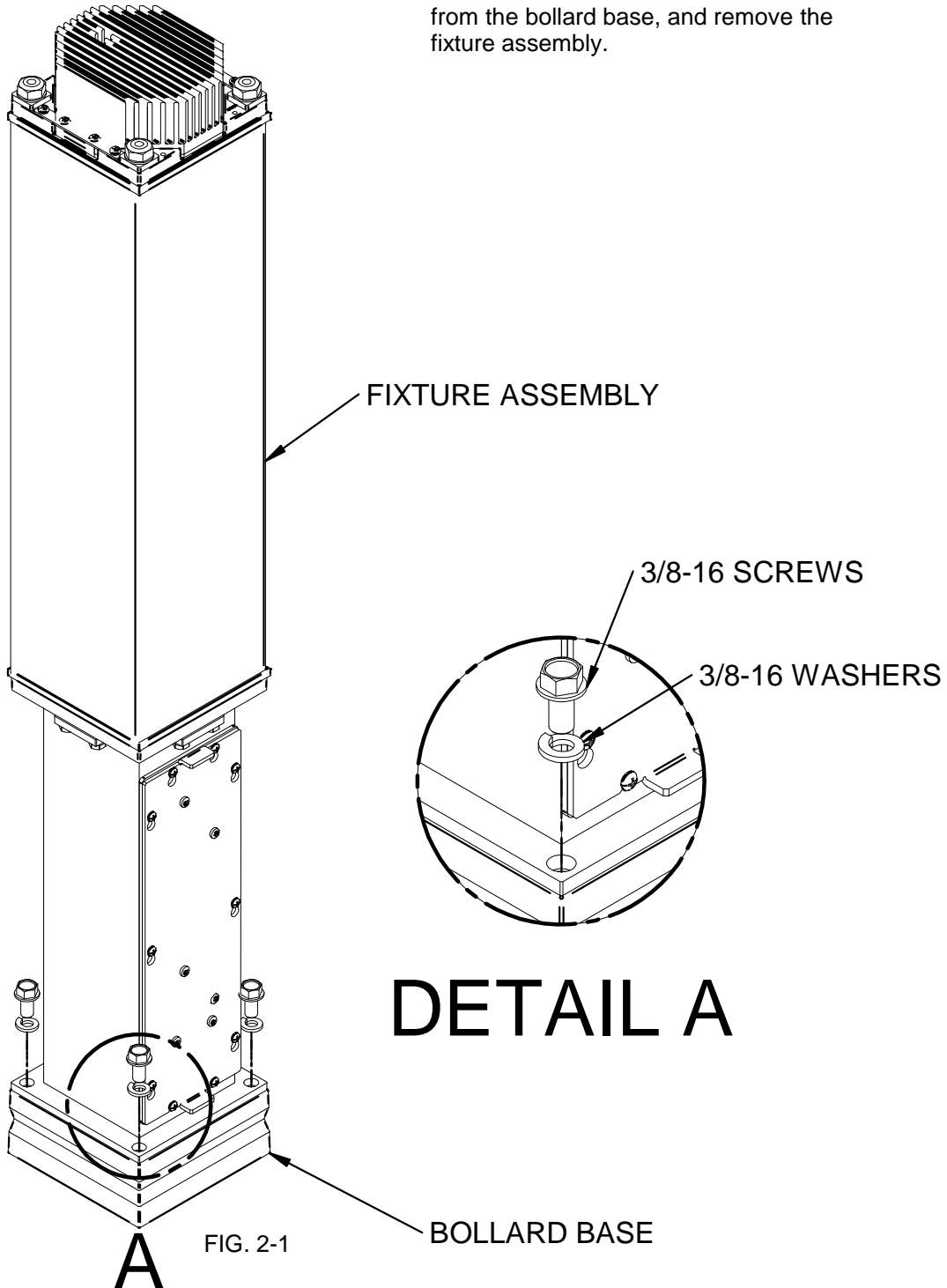


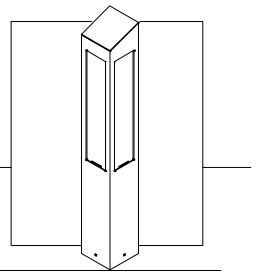
Kick Bollard Installation Instruction

Fixture: KB6 - Kick Bollard

2. REMOVING BOLLARD BASE

1. Remove 4 x 3/8-16 screws and washers from the bollard base, and remove the fixture assembly.





Kick Bollard Installation Instruction

Fixture: KB6 - Kick Bollard

3. INSTALLING BOLLARD BASE

1. Place the anchor bolt template on the desired location, and install the anchor bolt according to the determined location.
2. Install the bollard base on the anchor bolts and tighten the washers and nuts to keep the bollard base level to the ground.

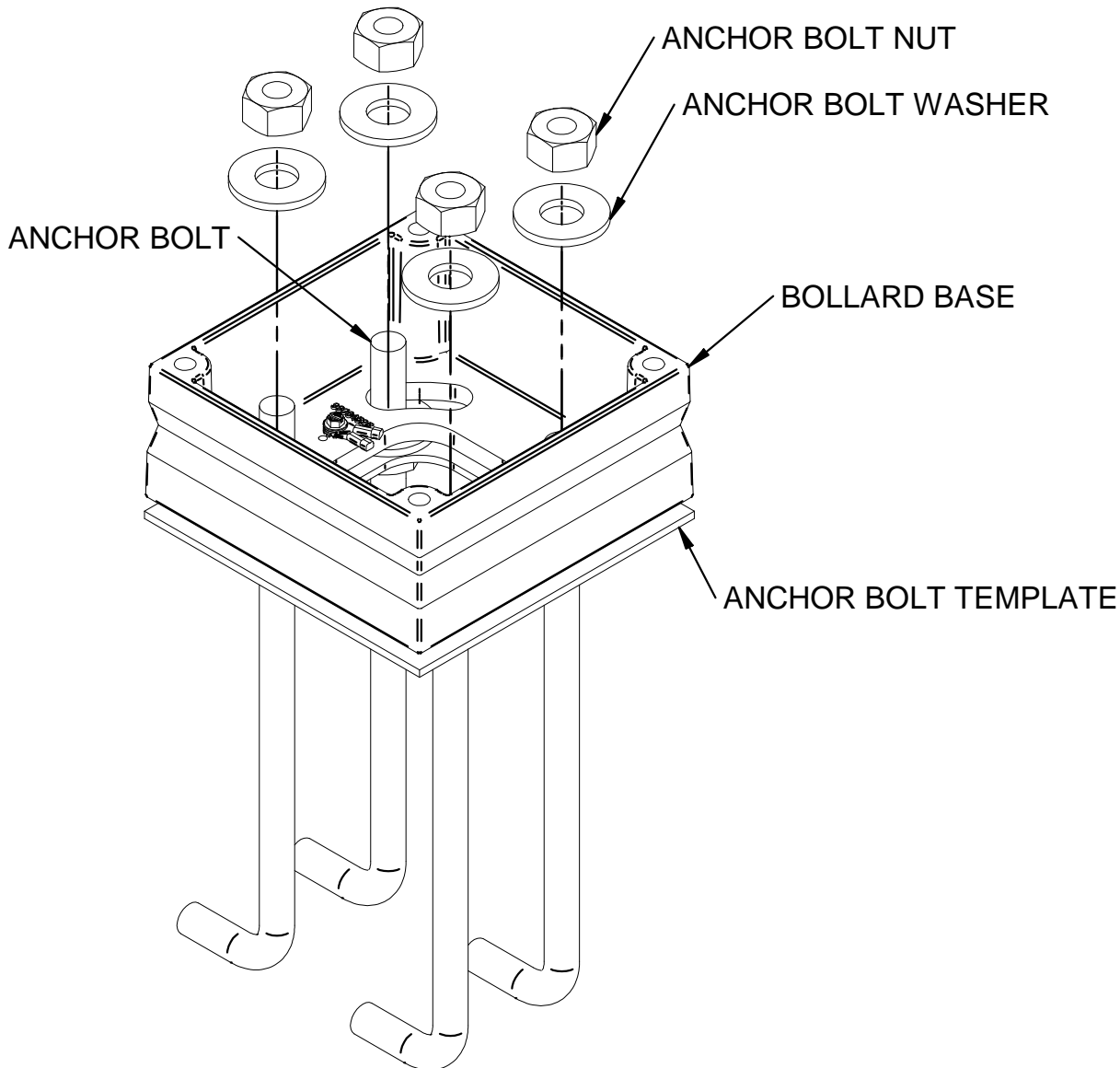
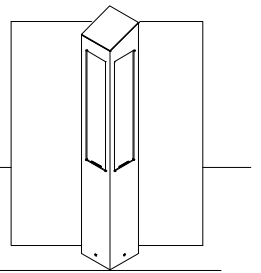


FIG. 3-1



Kick Bollard Installation Instruction

Fixture: KB6 - Kick Bollard

4. WIRING CONNECTION

1. Make the wiring connection, see wiring diagram on page 6 for detail information.

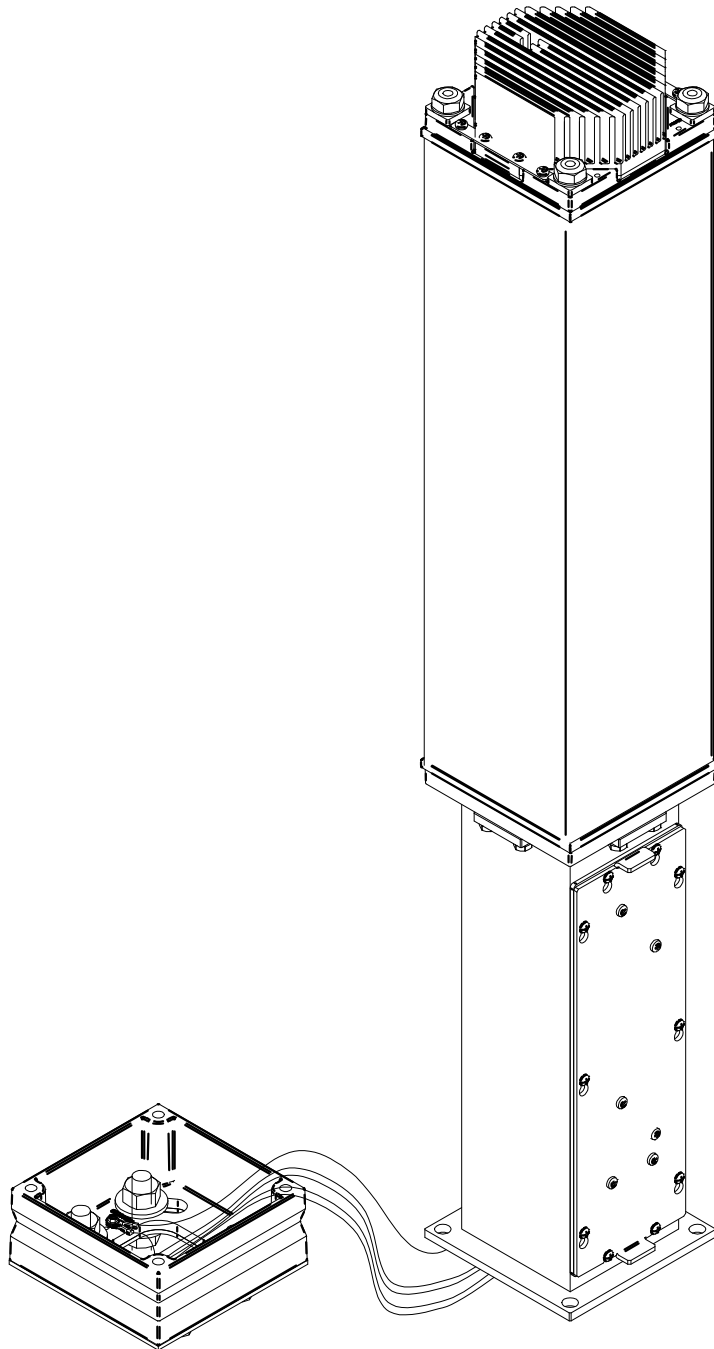
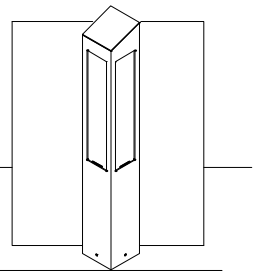


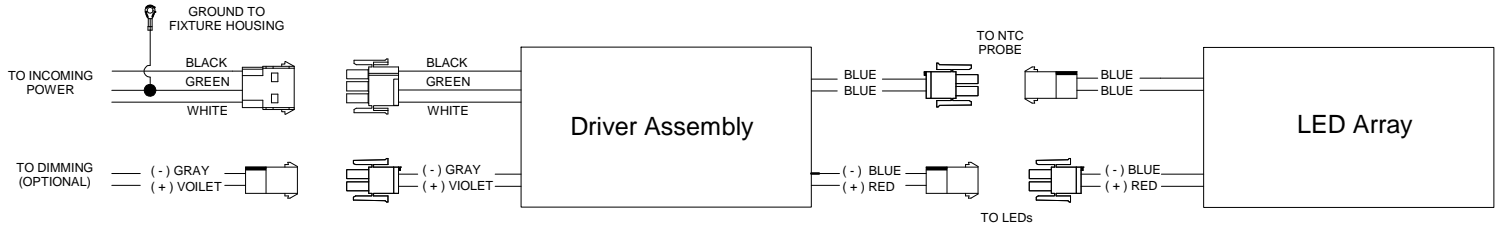
FIG. 2-1

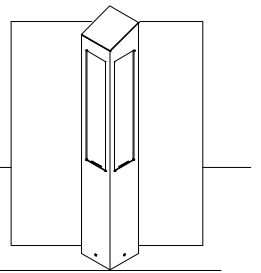


Kick Bollard Installation Instruction

Fixture: KB6 - Kick Bollard

Kick Bollard Wiring Diagram



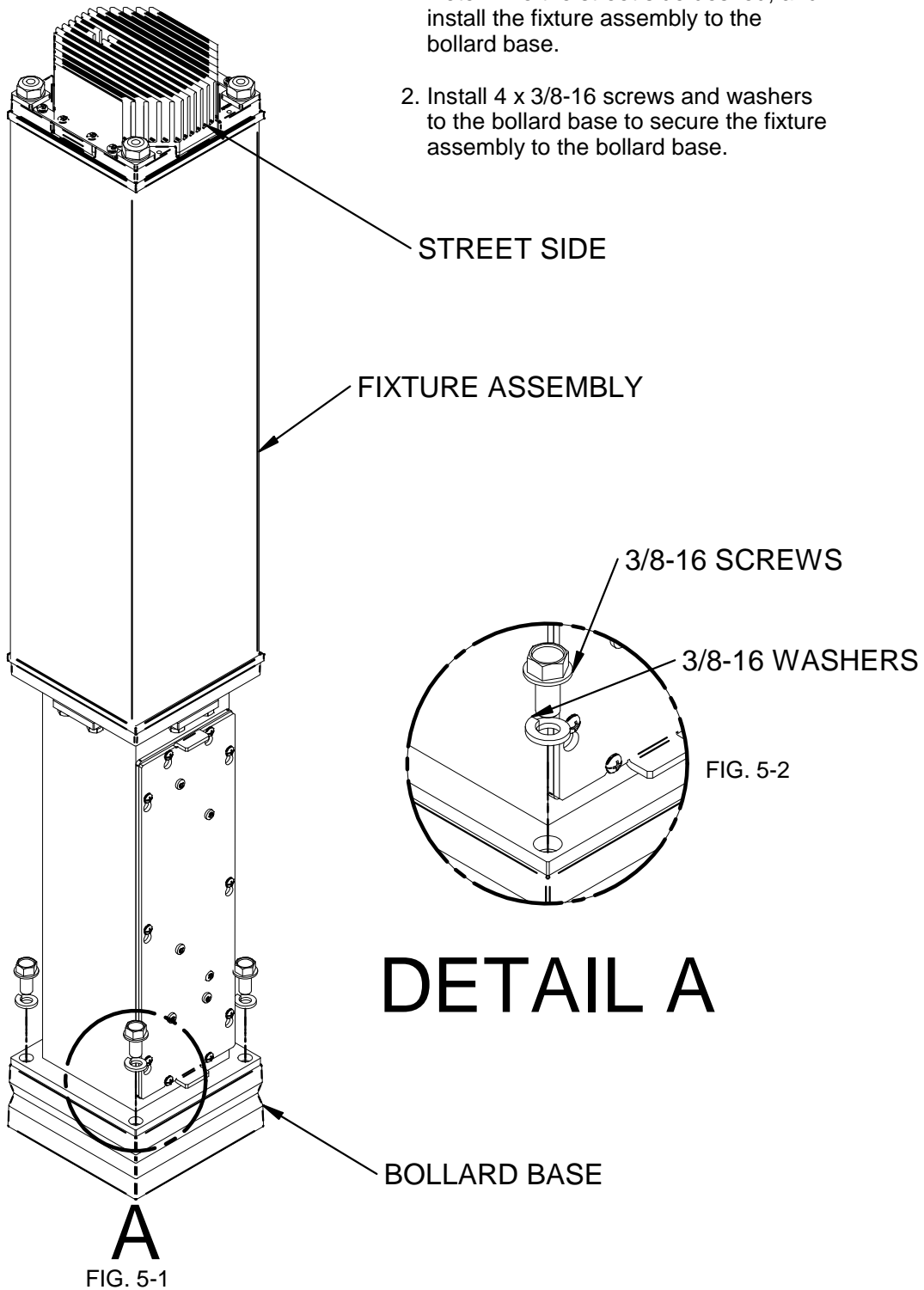


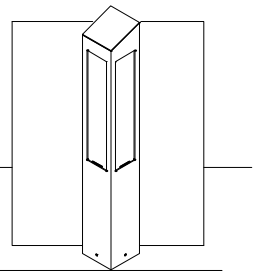
Kick Bollard Installation Instruction

Fixture: KB6 - Kick Bollard

5. INSTALLING FIXTURE ASSEMBLY

1. Determine the street side desired, and install the fixture assembly to the bollard base.
2. Install 4 x 3/8-16 screws and washers to the bollard base to secure the fixture assembly to the bollard base.





Kick Bollard Installation Instruction

Fixture: KB6 - Kick Bollard

6. INSTALLING THE FIXTURE HOUSING

1. Insert the fixture housing to the bollard fixture assembly.
2. Insert 4 x 3/8-16 set screws, and tighten the set screws on all 4 sides.
3. Installation is complete.

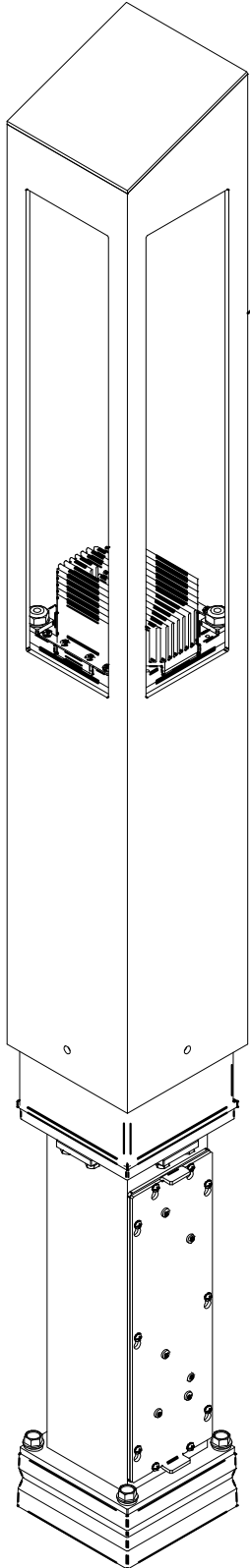


FIG. 6-1

FIXTURE HOUSING

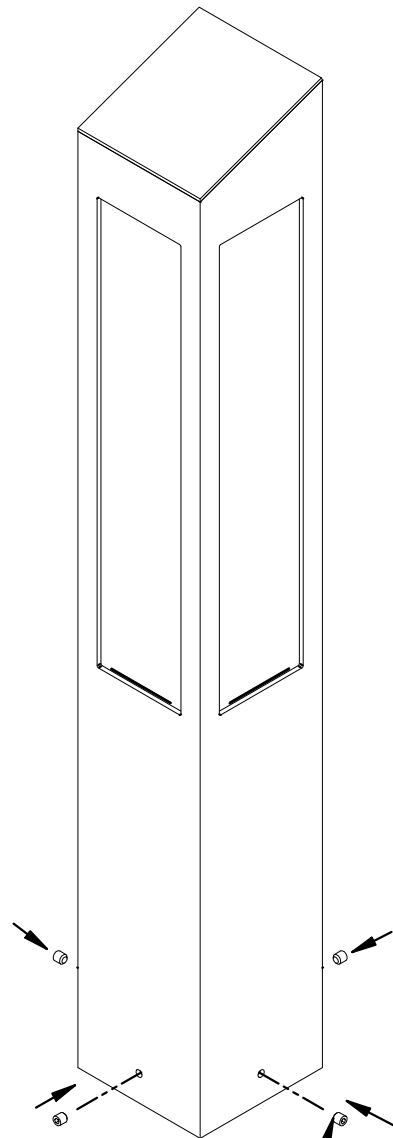


FIG. 6-2

3/8-16 SET SCREWS

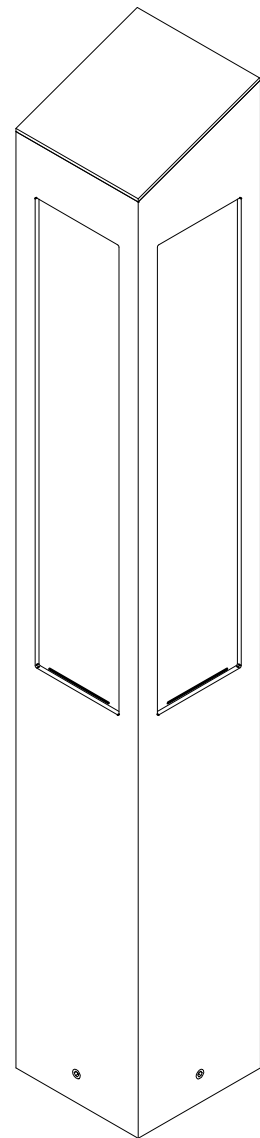
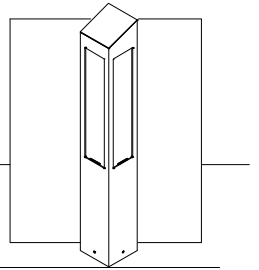


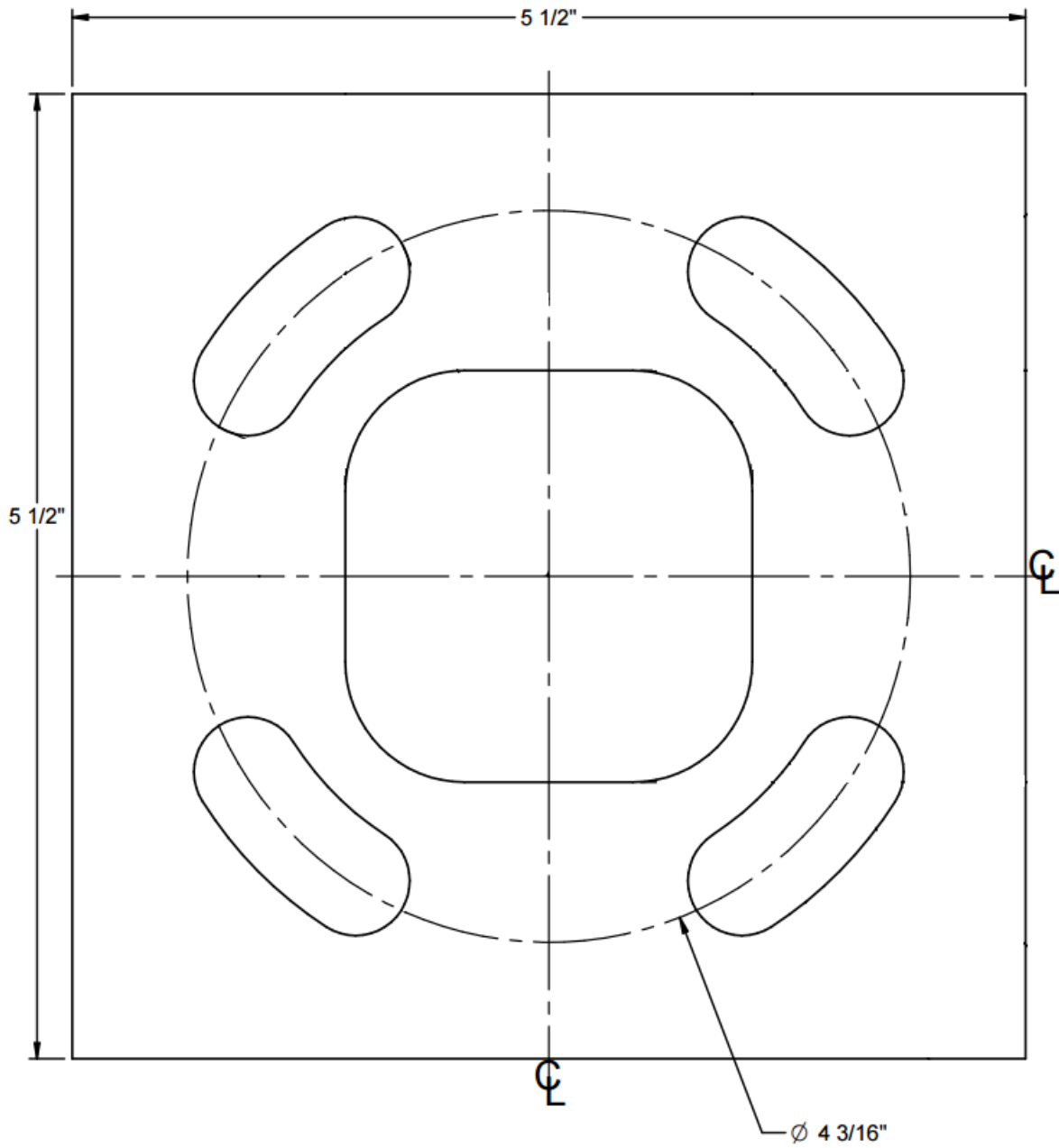
FIG. 6-3

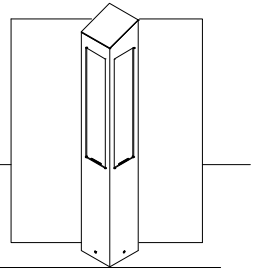


Kick Bollard Installation Instruction

Fixture: KB6 - Kick Bollard

BOLT PATTERN TEMPLATE

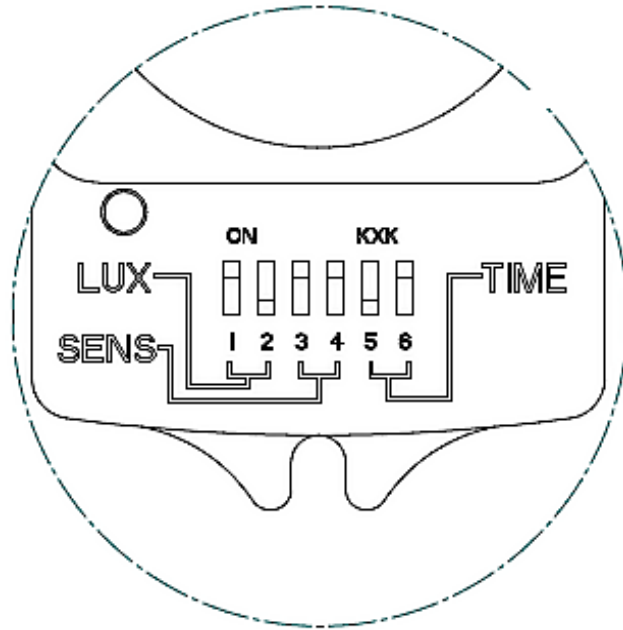




Kick Bollard Installation Instruction

Fixture: KB6 - Kick Bollard

Kick Bollard Microwave Sensor Troubleshooting



Microwave Sensor Dipswitches					
Photocell:	Sensor Range:		Time Delay:		
1	2	3	4	5	6
↓ OFF	↓ ↓	5-7 m	↓ ↓ ↓	↓ ↓ ↓	5 sec (test)
↑ ON	↓ ↑	4-6 m	↓ ↓ ↓	↑ ↓ ↓	30 sec
	↑ ↓	2-4 m	↓ ↓ ↓	↑ ↓ ↓	1 min
	↑ ↑	1-2 m	↓ ↓ ↓	↑ ↓ ↓	3 min
			↑ ↓ ↓	↑ ↓ ↓	5 min
			↑ ↓ ↓	↑ ↓ ↓	10 min
			↑ ↓ ↓	↑ ↓ ↓	20 min
			↑ ↓ ↓	↑ ↓ ↓	30 min