

Kick™ Installation Guide

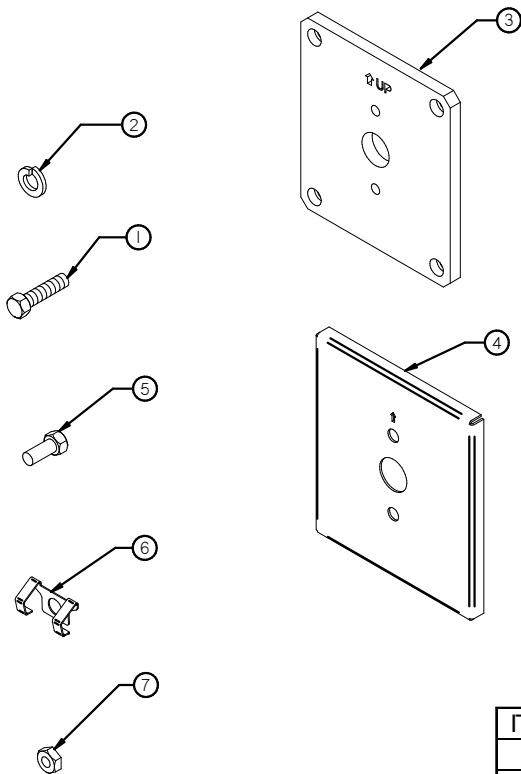
K4, K5, KM4, KM5



WARNING: Fixtures must be grounded in accordance with local codes or the National Electrical Code. Failure to do so may result in serious personal injury.

MAINTENANCE: A regularly scheduled maintenance program should be established to retain optimum light output and reduce heat retention. Dusting with a soft, clean, dry cloth is normally sufficient for the optics.

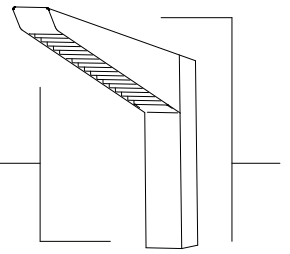
CAUTION: All wiring must be done by a qualified electrician. KEEP THIS SHEET FOR FUTURE REFERENCE.



Tools Required:

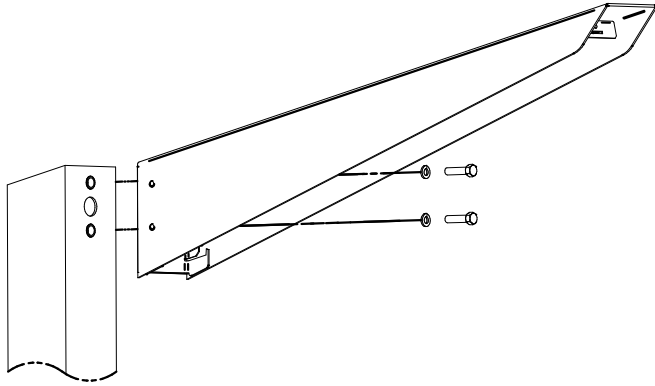
1. 9/16" Socket & Ratchet Arm
2. Wire connections to incoming power (others)
3. Silicone Adhesive (others)
4. 3/16" Allen Wrench (Tenon Mount Option)

ITEM #	QTY	PART #	DESCRIPTION	NOTES
1	2	93005220	SCREW 3/8-16 X 1 1/2"	POLE MOUNT ONLY
2	2	58225	3/8" SPLIT RING WASHER	
3	1	93070386	WALL PLATE KM4	WALL MOUNT ONLY
		93070393	WALL PLATE KM5	WALL MOUNT ONLY
4	1	93070408	COVER PLATE KM4	WALL MOUNT ONLY
		93070409	COVER PLATE KM5	WALL MOUNT ONLY
5	2	58700	SCREW 3/8-16 x 7/8"	WALL MOUNT ONLY
6	1	93070390	SPRING CLIP KM4	WALL MOUNT ONLY
		93070395	SPRING CLIP KM5	WALL MOUNT ONLY
7	2	A84022	3/8-16 NUT	WALL MOUNT ONLY



Kick™ Installation Guide

K4, K5, KM4, KM5



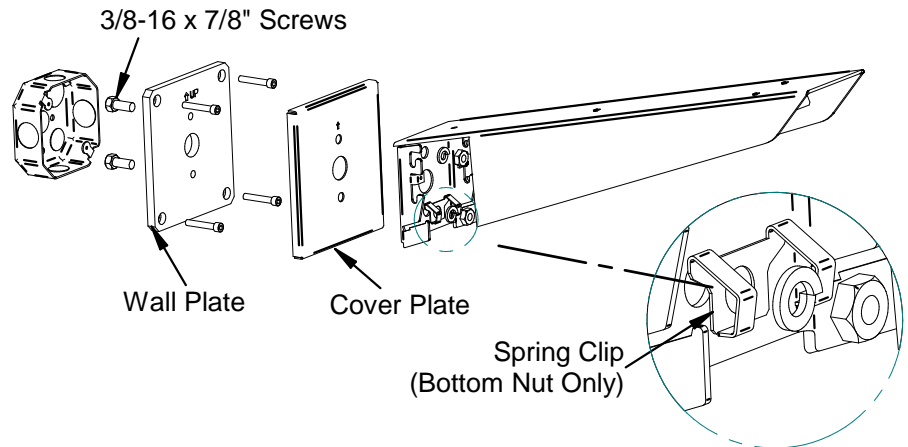
1A. POLE MOUNTING

1. Mount fixture to pole with provided 3/8-16 Screws and 3/8" split-ring washers.
2. Tighten screws until washers are compressed. (Do not over-tighten.)

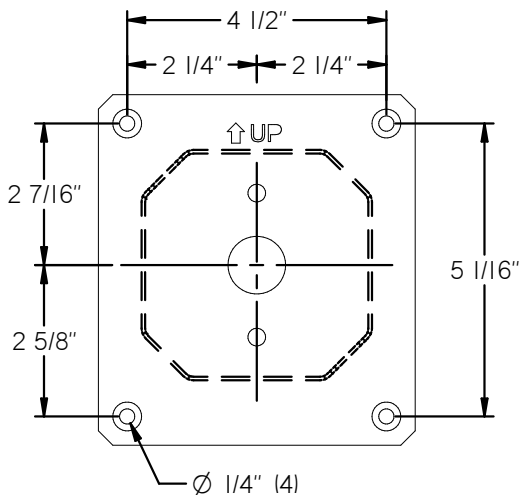
OR

1B. WALL MOUNTING

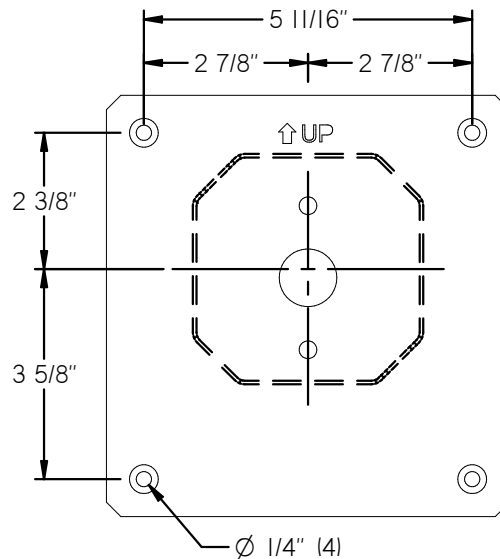
1. Screw (2) 3/8-16 x 7/8" screws through rear of Mount Wall plate.
2. Attach wall plate to wall (hardware by others.)
3. Mount cover plate & fixture housing with provided (1) spring clip, (2) 3/8" split-ring washers, and (2) 3/8-16 nuts.
4. Tighten nuts until washers are compressed.

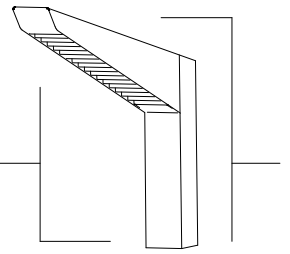


KM4 Wall Plate



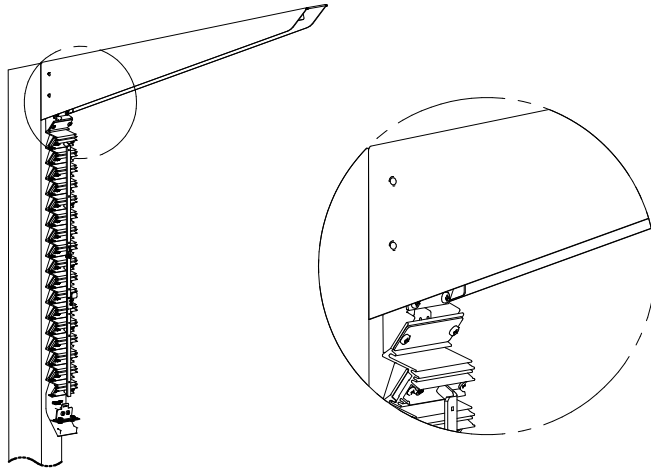
KM5 Wall Plate





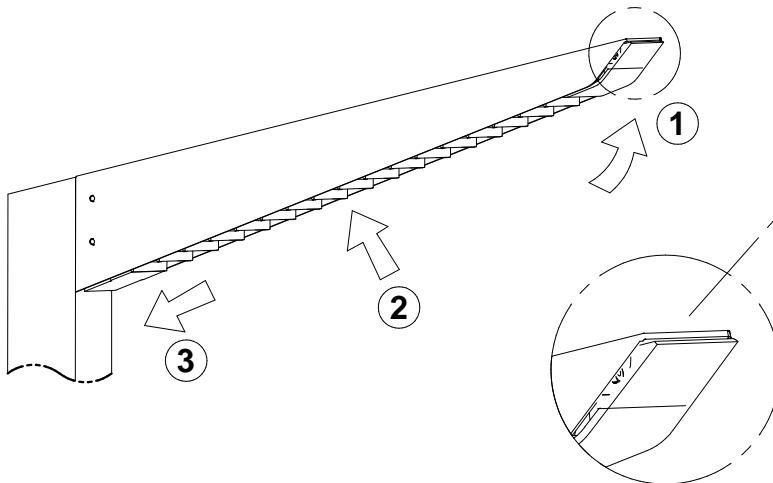
Kick™ Installation Guide

K4, K5, KM4, KM5



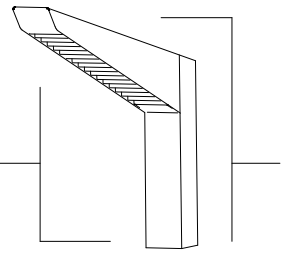
2. ELECTRICAL CONNECTIONS

1. Hang LED array in service position and make electrical connections.
2. See Wiring diagram, Page 5.



3. CLOSE FIXTURE

1. Swing up LED array so the top nose is just past the fixture tip.
2. Push up in middle of LED Array to be sure mid-brace catches on fixture body.
3. Slide LED array down into place.

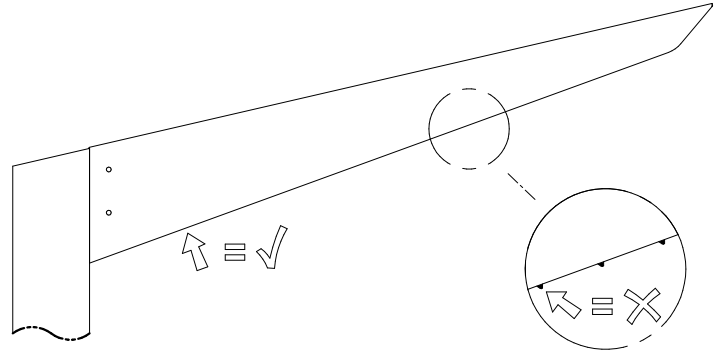


Kick™ Installation Guide

K4, K5, KM4, KM5

4. VERIFY INSTALLATION

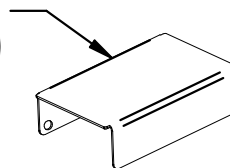
1. LED array should be neatly tucked inside housing. If not, the mid-brace may have been missed.



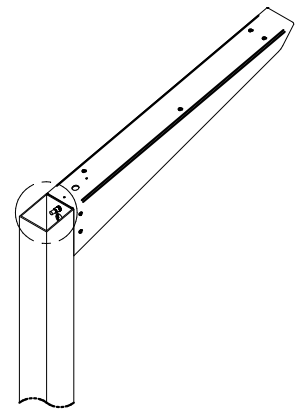
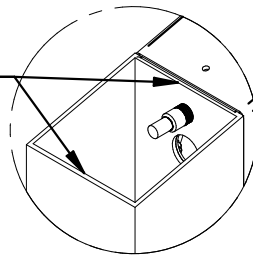
5. POLE CAP

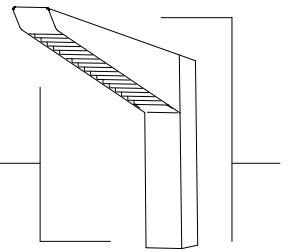
1. Use silicone on perimeter of the pole top to avert water ingress.

Cover
(Supplied with pole assembly)



Silicone



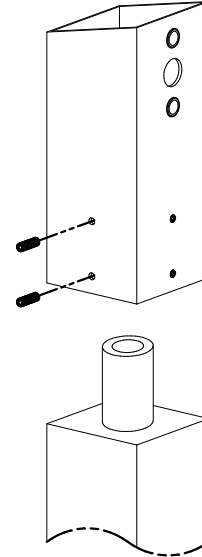
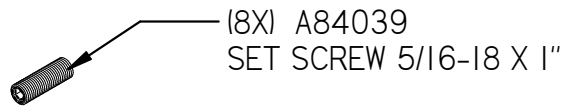


Kick™ Installation Guide

K4, K5, KM4, KM5

TENON MOUNT ADAPTER (OPTIONAL ACCESSORY)

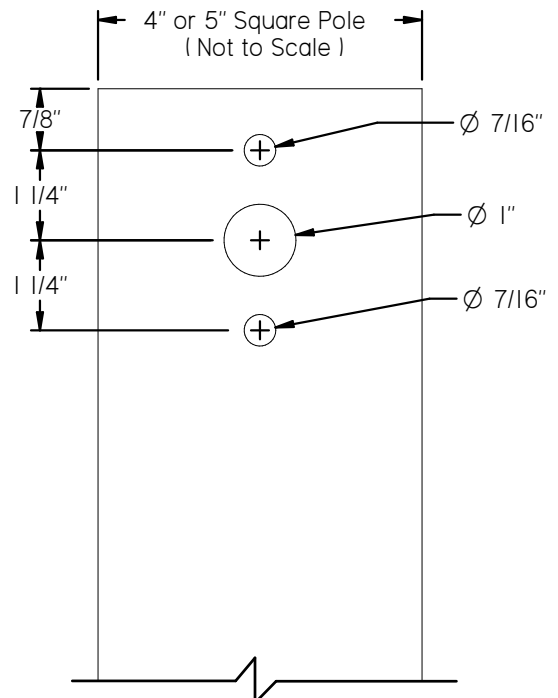
1. Tenon Mount Adapter mounts to pole (others) with eight (8) set screws.

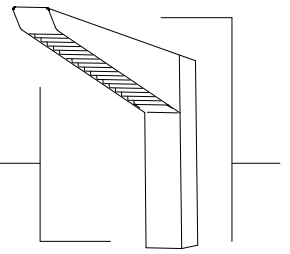


DRILL PATTERN - (POLE BY OTHERS)

1. DRILL PATTERN

The drill pattern is the same for all Kick fixtures.
3/8-16 mounting screws and washers are supplied.
3/8-16 nuts, threaded holes, or rivnuts are required (others.)





Kick™ Installation Guide

K4, K5, KM4, KM5

K4 & K5 WIRING DIAGRAM

