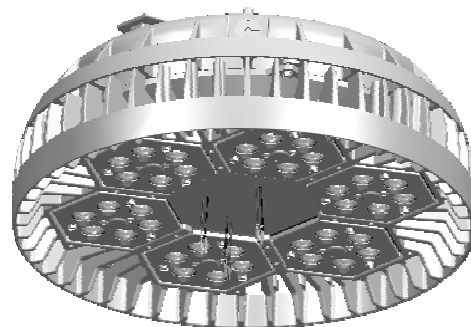


INSTALLATION INSTRUCTIONS - ARCEOS LED (ARS)

SAVE THESE INSTRUCTIONS



INSTALLATION INSTRUCTIONS ARCEOS SURFACE - ARS



READ THOROUGHLY BEFORE INSTALATION

WARNING! Fixtures must be grounded and installed in accordance with the National Electrical Code and all local codes. Failure to do so may increase the **RISK OF PERSONAL INJURY, PROPERTY DAMAGE, FIRE AND DEATH**. Install and use so fixture failures do not cause a hazard and use only in environments for which the product is specifically marked.

WARNING! This product contains chemicals known to the State of California to cause cancer, birth defects, and/or other reproductive harm. Thoroughly wash hands after installing, handling, cleaning, or otherwise touching this product.

CAUTION! Follow ALL luminaire recommendations, product markings, instructions, restrictions and warnings regarding luminaire operation and burning position. Luminaire label shows electrical and environmental requirements and restrictions.

All electrical work must be done by a qualified electrician.

Turn off electric power to all affected circuits and allow to cool before servicing.

A regularly scheduled maintenance program should be established to retain optimum light output and reduce heat retention. Dusting with a soft, clean, dry cloth is normally sufficient for the optical system. Any accumulation of dust or dirt should be removed regularly.

Carefully read these instructions before installing product. If you do not understand these instructions, before starting any work, contact your Hubbell Lighting distributor or techsupport@hubbell-ltg.com or (864) 678-1000

Give instructions to facility owner/manager for future reference.

NOTE:

This luminaire is designed for outdoor lighting applications with ambient temperatures not exceeding 40°C

WARNINGS:

Dangerous voltage exist within the unit and all precautions usually observed in handling high voltage equipment should be observed when replacing light engine or otherwise servicing luminaires. Disregarding this warning could result in electrical shock and possible injury to the individual installing or servicing this equipment. Installation and servicing should be done by qualified personnel.

93054757 Rev.A

701 Millennium Boulevard Greenville, SC 29607 (864) 678-1000

www.hubbelloutdoor.com



INSTALLATION INSTRUCTIONS - ARCEOS SURFACE LED (ARS)

SAVE THESE INSTRUCTIONS

Installation Instructions

1. Remove Mounting Bracket from the fixture by removing screw ① and sliding Mounting Bracket away from screw ①.
- **Surface/J-Box Mounting**
 1. Remove Top Plate ② from Mounting Bracket ③ by removing the 4 screws ④.
 2. Install Mounting Bracket to the Surface or J-Box using the hole pattern provided.
 - **Note:** Pattern Indicator shows the distribution direction. Insure Mounting Bracket is properly aligned for your application.
 - **Note:** Mounting hardware not provided.
- **Pendant Mounting**
 1. Install Mounting Bracket ③ to pendant and secure by tightening provided set screw ⑤.
 - **Note:** When using fixture as a pendant mount use waterproof pipe joint compound. (Not Provided)
 - **Note:** Pattern Indicator shows the distribution direction. Insure Mounting Bracket is properly aligned for your application.
 2. Tilt the wire form ⑥ up allowing it to sit up on its own. Now slide the wire form ⑥ in the hook ⑦ on the Mounting Bracket.
 3. Tighten screw ⑧ to secure wire form in the hook.
 4. Connect the supply wires in accordance with local and National Electrical Codes. Push excess wires in the fixture.
 5. Lift the fixture up and slide away from the hook ⑦ on the Mounting Bracket. Mounting Feet ⑨ on the Mounting Bracket will go in the slot ⑩ on the top of the fixture. Once the mounting feet are engaged slide the fixture towards the hook on the Mounting Bracket.
 6. Secure the fixture by retightening mounting screw ①.

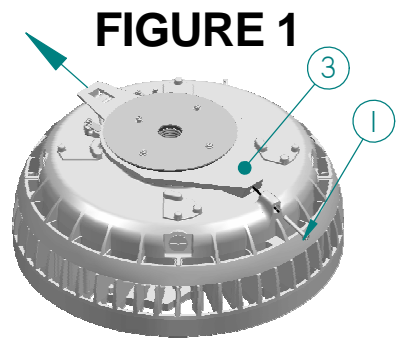


FIGURE 2

FIGURE 3

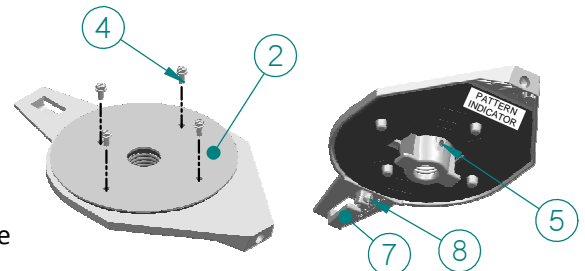


FIGURE 4

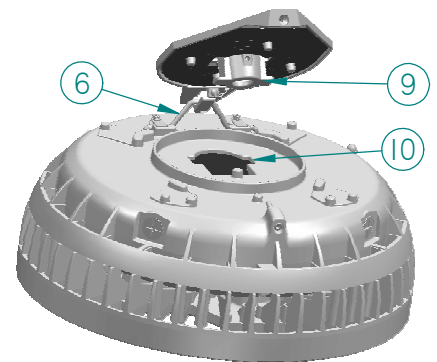
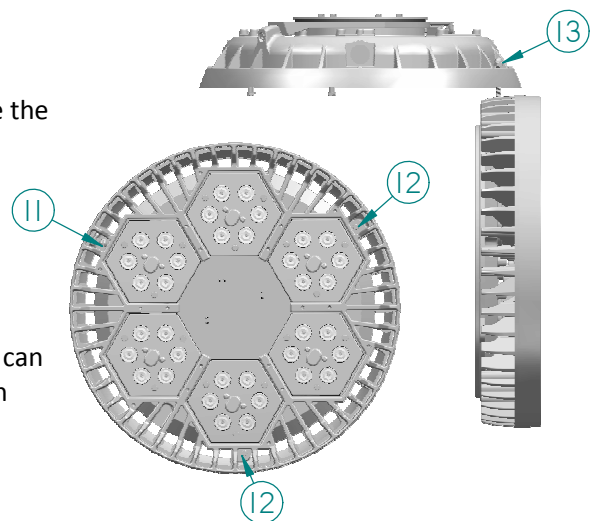


FIGURE 5



Maintenance

1. From underneath the fixture remove two mounting screws ⑫ and loosen the remaining screw ⑪. This will allow the lower section to open for maintenance.
 - **Note:** There is an acorn nut ⑬ on one of the screws preventing it from being removed.
2. If you want to remove lower section, remove the acorn nut and remove the screw.
 - **Note:** Disconnect wire connectors while fixture is hinged opened before removing screw.

Wiring

This LED unit is supplied with electronic drivers having universal voltage and can accept input voltage within the range of 120V – 277V or as a specified option 347V – 480V. When electric options are selected the fixture will be tied to a specific voltage and cannot be changed.

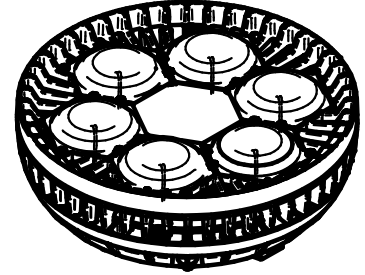
NOTES:

No User Serviceable parts please contact Hubbell Lighting for any replacement parts. Contact your local distributor or agent to confirm parts availability prior to ordering replacement parts.

SAVE THESE INSTRUCTIONS



INSTALLATION
INSTRUCTIONS
ARS-SPC / ARS-CS

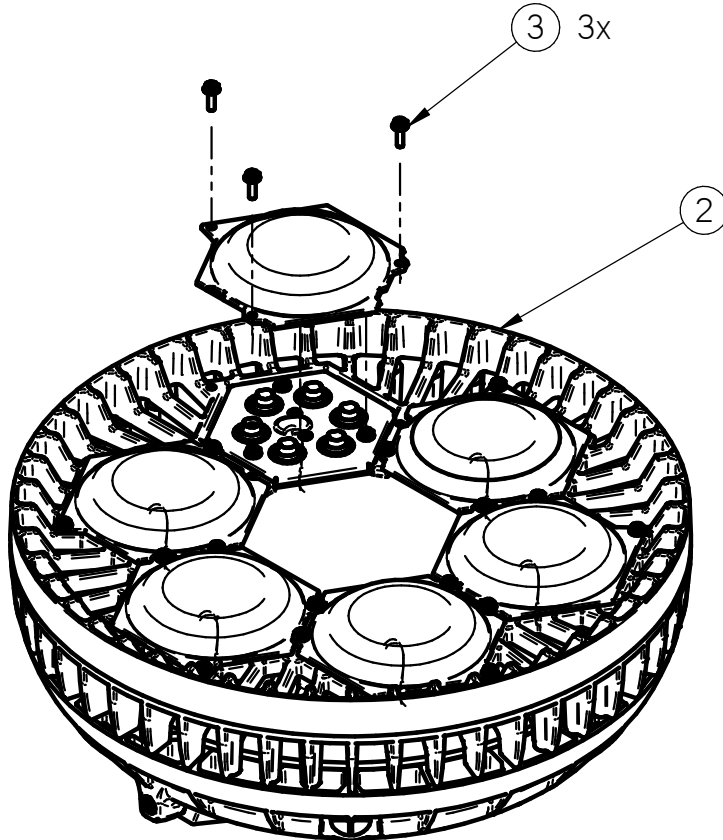
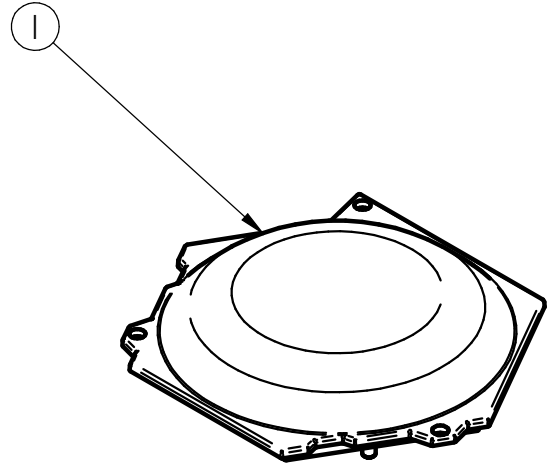


READ THOROUGHLY BEFORE INSTALLATION

INSTALLATION INSTRUCTIONS:

1. Remove all materials from carton.
2. Align holes on the shield (1) with the castings (2).
3. Tighten three mounting screws (3).

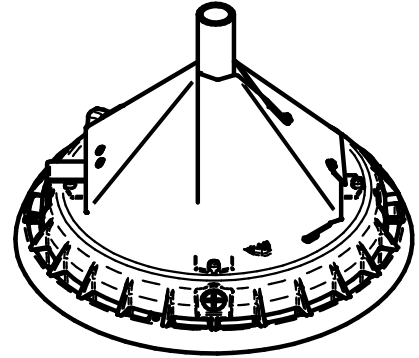
NOTE: Do not over tighten three mounting screws, Shield may crack.



SAVE THESE INSTRUCTIONS



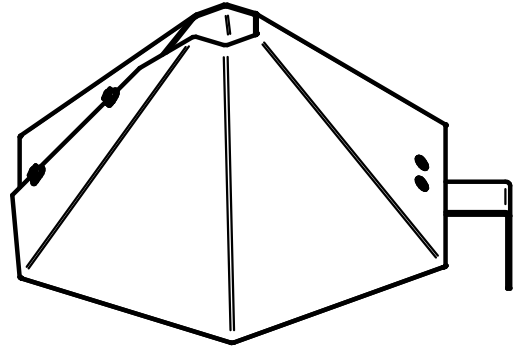
INSTALLATION
INSTRUCTIONS
ARS-BS



READ THOROUGHLY BEFORE INSTALLATION

INSTALLATION INSTRUCTIONS:

1. Remove all packaging materials from carton.
2. Loosen screws ① enough so the two ends separate from each other.
3. Spread two ends apart and slide around Conduit Pipe.
4. Tighten screws ① with both ends together.
5. Remove Conduit Hub ② and replace it so the mounting flange ③ on SCP-BS is between Top casting and Conduit Hub.



NOTE: Choose appropriate Conduit Hub that does not affect your application

