

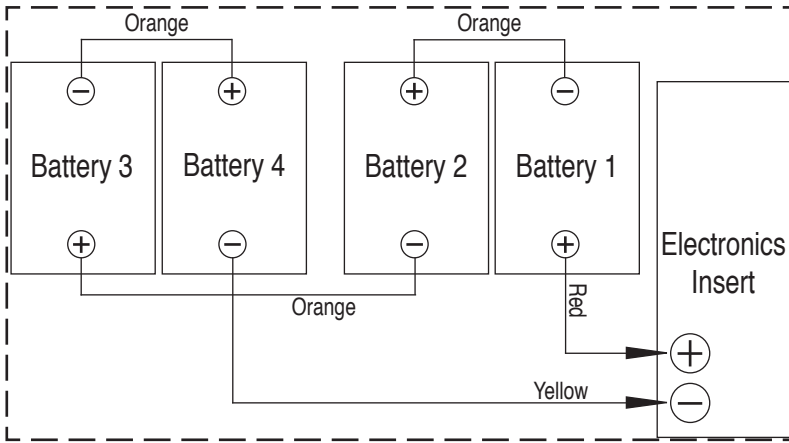


## BATTERY WIRING DIAGRAMS

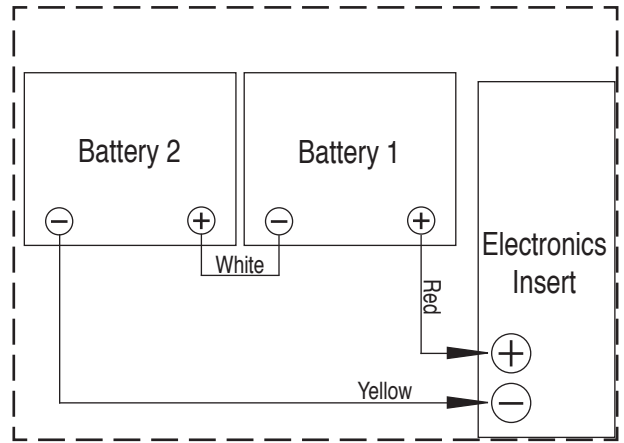
### 24 Volt AS SERIES

MODELS: AS270-24V,  
AS360-24V

#### Wiring Diagram for Models Using Four p/n 0120752 Batteries



#### Wiring Diagram for Models Using Two p/n 0120750 Batteries



**NOTE: Self-testing, self-diagnostic models with over 80 watts of capacity require a minimum load of 35 watts for accurate lamp failure indications.**



Hubbell Lighting, Inc.

Hubbell Lighting, Inc. Life Safety Products • [www.dual-lite.com](http://www.dual-lite.com)

701 Millennium Blvd. • Greenville, SC 29607 • 864-678-1000 • Fax: 864-678-1415

Copyright © Hubbell Lighting, Inc., All Rights Reserved • Specifications subject to change without notice. Printed in U.S.A.

0601776\_A 12/07

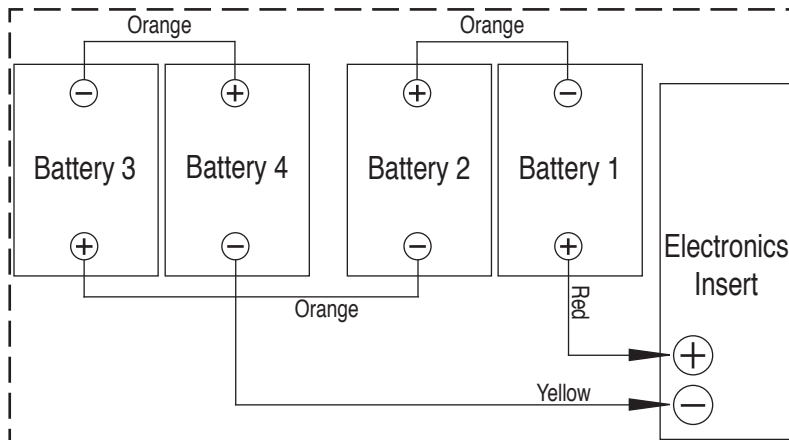


## BATTERY WIRING DIAGRAMS

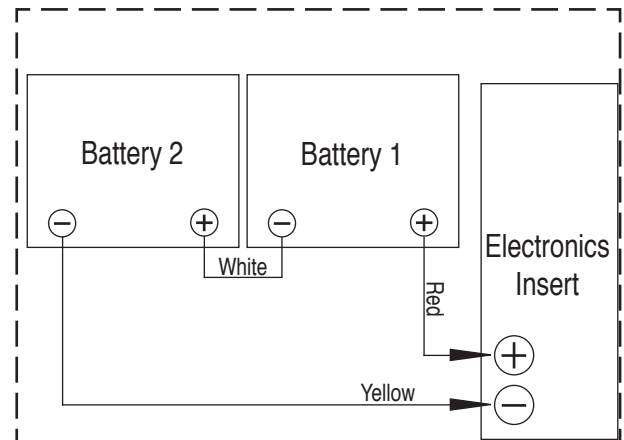
### 24 Volt AS SERIES

MODELS: AS270-24V,  
AS360-24V

#### Wiring Diagram for Models Using Four p/n 0120752 Batteries



#### Wiring Diagram for Models Using Two p/n 0120750 Batteries



**NOTE: Self-testing, self-diagnostic models with over 80 watts of capacity require a minimum load of 35 watts for accurate lamp failure indications.**



Hubbell Lighting, Inc.

Hubbell Lighting, Inc. Life Safety Products • [www.dual-lite.com](http://www.dual-lite.com)

701 Millennium Blvd. • Greenville, SC 29607 • 864-678-1000 • Fax: 864-678-1415

Copyright © Hubbell Lighting, Inc., All Rights Reserved • Specifications subject to change without notice. Printed in U.S.A.

0601776\_A 12/07