



INSTALLATION INSTRUCTIONS

IMPORTANT SAFEGUARDS

When using electrical equipment, basic safety precautions should always be followed including the following.

READ AND FOLLOW ALL SAFETY INSTRUCTIONS

1. This product is for use with generator-supplied (or central inverter system-supplied) lighting loads. Make sure all connections are in accordance with the National Electrical Code and any local regulation.
2. To reduce the risk of electric shock, disconnect all power sources before servicing.
3. This product is for factory or field installation.
4. This product is for use in indoor fixtures EXCEPT air handling heated air outlets, and wet, damp or hazardous locations. Where the ambient temperature for ATSD must be 0°C minimum, to 50°C maximum.
5. An unswitched, normal AC power source (120 or 277 VAC, 60Hz) and a direct, unswitched connection to a generator-supplied emergency panel are required.
6. The use of accessory equipment not recommended by the manufacturer may cause an unsafe condition.
7. Do not use this product for other than intended use.
8. Servicing should be performed by qualified service personnel.

SAVE THESE INSTRUCTIONS





INSTALLATION

WARNING: DISCONNECT ALL POWER SOURCES BEFORE INSTALLING OR SERVICING THIS UNIT. THE ATSD IS INTENDED FOR AN ELECTRICAL LOAD OF ONE FIXTURE ONLY

NOTE: BEFORE INSTALLING THE DEVICE SWITCHING MODULE, MAKE SURE THAT THE NECESSARY BRANCH CIRCUIT WIRING IS AVAILABLE. AN UNSWITCHED SOURCE OF POWER ON THE SAME BRANCH CIRCUIT AS THE AC BALLAST IS REQUIRED. A SEPARATE CONNECTION TO A GENERATOR-SUPPLIED CIRCUIT MUST ALSO BE PROVIDED

1. FAMILIARIZE YOURSELF WITH THESE INSTRUCTIONS BEFORE BEGINNING INSTALLATION.
2. Disconnect AC power from the fixture. Remove the ballast channel cover and install the ATSD in the ballast channel (see illustration 1 or 2).

ILLUSTRATION 1
Strip Fixture

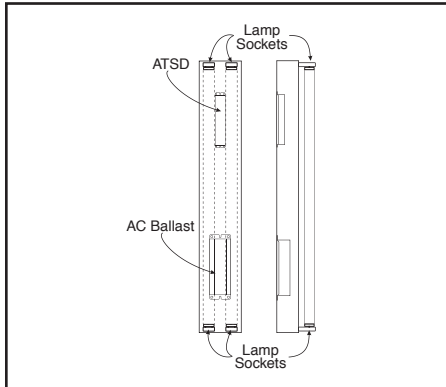


ILLUSTRATION 2
Troffer Fixture

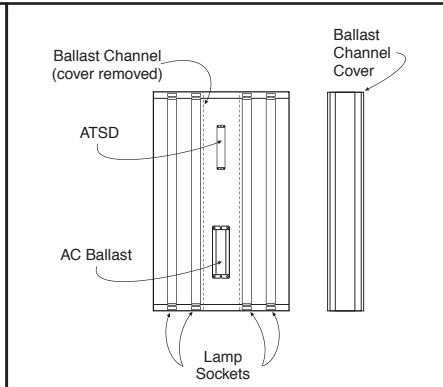
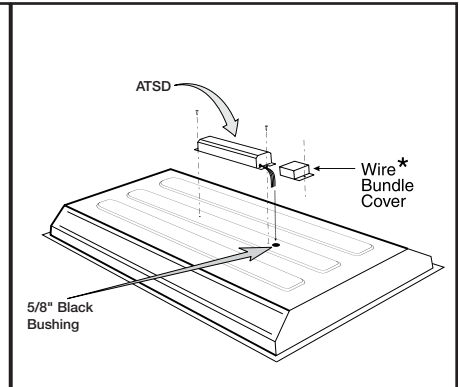


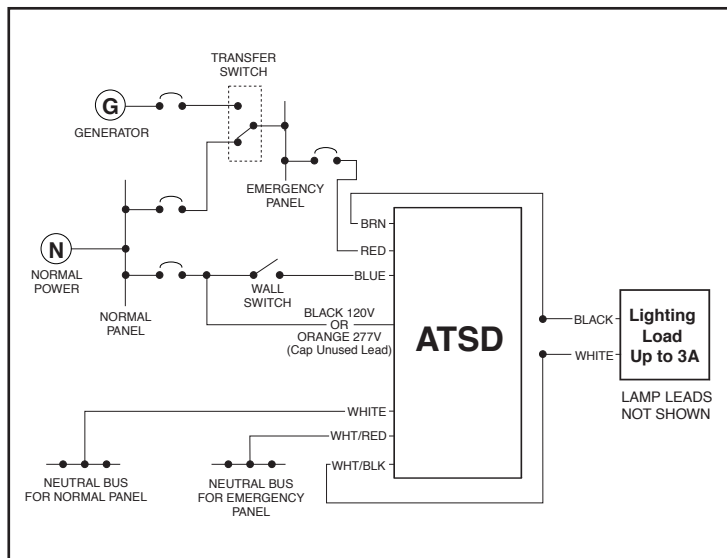
ILLUSTRATION 3
Top Mounting



* For installation on top of the fixture, wire bundle covers may be required by state or local codes. These covers are available from the manufacturer as an accessory kit and must be ordered separately. Call your local distributor or the factory for complete information.

3. Wire the ATSD as shown in Illustration 4.

ILLUSTRATION 4



4. After installation is complete, apply AC power to the fixture. Check AC ballast operation to verify proper ATSD installation.

OPERATION

The ATSD uses an internal relay contact to control the AC power feeding the AC ballast. When the generator supplies AC power to the lighting fixture, the ATSD bypasses the wall switch controlling the AC ballast. This ensures fixture illumination during generator operation regardless of wall switch position.

MAINTENANCE

No routing maintenance is required to keep the ATSD functional. However, it should be checked periodically to ensure that it is working properly.