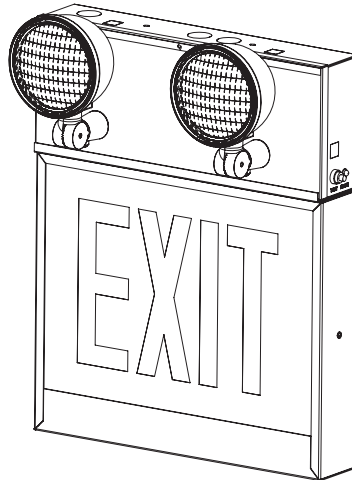




CLSC

**Chicago Approved Battery Backup LED Exit & Unit Combo
No Panel Version**



IMPORTANT SAFEGUARDS

When using electrical equipment, basic safety precautions should always be followed including the following.

READ AND FOLLOW ALL SAFETY INSTRUCTIONS

Warning: FAILURE TO FOLLOW THESE INSTRUCTIONS AND WARNINGS MAY RESULT IN DEATH, SERIOUS INJURY OR SIGNIFICANT PROPERTY DAMAGE - For your protection, read and follow these warnings and instructions carefully before installing or maintaining this equipment. These instructions do not attempt to cover all installation and maintenance situations

Warning: RISK OF ELECTRIC SHOCK. NEVER CONNECT TO, DISCONNECT FROM, OR SERVICE WHILE EQUIPMENT IS ENERGIZED.

Warning: RISK OF FIRE - Lamps are hot. Keep combustible material away from hot parts. Observe lamp manufacturer's warnings, recommendations and restrictions on lamp operation and maintenance. Make sure lamps are correctly installed.

Warning: DO NOT USE ABRASIVE MATERIALS OR OTHER SOLVENTS. USE OF THESE SUBSTANCES MAY DAMAGE FIXTURE, WHICH MAY RESULT IN PERSONAL INJURY.

Warning: RISK OF PERSONAL INJURY. This product may have sharp edges. Wear gloves to prevent cuts or abrasions when removing from carton, handling, installing and maintaining this product.

- Before wiring to power supply, turn off electricity at fuse or circuit breaker.
- Disconnect A.C. power and unplug battery before servicing.
- Consult your local building codes for approved wiring and installation.
- May be used outdoors under cover (0°C - 50°C; 32°F - 122°F).
- Do not let power supply cord touch hot surfaces.
- Do not mount near gas or electric heaters.
- Do not install a damaged fixture.
- This product must be installed in accordance with the applicable installation codes and ordinances.
- All service shall be performed by qualified service personnel. This product must be installed and maintained in accordance with the applicable installation codes by a person familiar with the construction operation of the product and the hazards involved.
- Equipment should be mounted in locations and at heights where it will not be subject to tampering by unauthorized personnel.
- The use of accessory equipment not recommended by the manufacturer will void product listing and warranty and may cause an unsafe condition.
- Do not use this equipment for anything other than its intended use.
- The AC voltage rating of this equipment is specified on the product label. Do not connect equipment to any other voltage.

WARNING – This product contains chemicals known to the State of California to cause cancer, birth defects and/or other reproductive harm. Thoroughly wash hands after installing, handling, cleaning, or otherwise touching this product.

INSTALLATION

Note: This EXIT fixture may be shipped with an extra FACE PANEL to make the sign double face. Replace the BACKPLATE with the extra FACE PANEL at the start of the installation process if the application calls for a double face sign.

BACK MOUNT INSTALLATION (Fig 1.)

1. Remove retainer screw from right side of sign. Remove side panel and mounting canopy and set aside.
2. Remove retainer screw from the front cover of the unit. Remove the front cover and set aside.
3. Remove 7/8" diameter KNOCK OUT mounting hole located at the top portion of back plate. Use busings provided to protect wires from metal edge. Install mounting pan and cable tie to back plate. Secure wires using cable tie. Feed wires through 7/8" diameter KNOCK OUT bushing.
4. Adhering to National, State and Local codes, make wiring connection. For 120V, use black and white wires and for 277V, use red/orange and white wires. **WARNING:** Properly insulate the unused leads with wire nuts (provided) or other approved methods.
5. Push wire connections into the Junction box.
6. Mount sign equipment securely in place on the wall. Two additional KEY HOLE mounting holes are located at the top of the unit housing in addition to the Junction box mounting holes. These two additional mounting slot holes must be used. Additional chain support may be required by local codes.
7. Carefully replace the glass into the sign frame channel and replace end panel and retainer screw.
8. Connect battery in unit by connecting the RED(+) lead from the PC board assembly to the positive (+) terminal on the battery and the BLACK (-) lead from PC board assembly to the negative (-) battery terminal. **CAUTION:** Observe polarity. Failure to connect the battery properly will result in equipment failure and an unsafe condition. **NOTE:** Emergency lights will NOT come ON at this time.
9. Replace and secure the front cover.
10. Energize the sign fixture with AC supply. The charge indicator lights will illuminate.
11. Adjust and focus the lighting heads as required.

CEILING or END MOUNT INSTALLATION (Fig. 2)

NOTE: Cannot be right-side end mounted

12. Remove retainer screw from right side of sign. Remove side panel and mounting canopy and set aside.
13. Remove retainer screw from the front cover of the unit. Remove the front cover and set aside.
14. Remove both 7/8" diameter KNOCK OUT mounting holes located on the frame. For ceiling mount, knock out mounting holes will be located on top of the frame. For left-side wall mount, knock out mounting holes will be located on the side of the frame.
15. Thread 7/8" nuts (2 required, not included) onto 7/8" pipe nipples (2 required, not included). Slide pipe nipples through canopy holes.
16. Place screws (provided) in holes on the canopy.
17. Route wires through knock outs in unit frame (ceiling mount) or in EXIT frame (side mount), pipe nuts and metal mounting plate.
18. Adhering to National, State and Local codes, make wiring connection. For 120V, use black and white wires and for 277V, use red/orange and white wires. **WARNING:** Properly insulate the unused leads with wire nuts (provided) or other approved methods.
19. Push wire connections into the Junction box. Secure mounting plate to Junction box (hardware not included).
20. Secure the canopy to the steel mounting plate with screws installed in Step 5.
21. Place pipe nipples through the mounting holes of the frame until the canopy is touching the frame. Thread a second nut (not included) onto each of the pipe nipples on the inside of the housing and lock the canopy into place. Once canopy is locked into position there will not be any side-to-side movement on the canopy.
22. Carefully replace the glass into the sign frame channel and replace end panel and retainer screw.
23. Connect battery in unit by connecting the RED(+) lead from the PC board assembly to the positive (+) terminal on the battery and the BLACK (-) lead from PC board assembly to the negative (-) battery terminal. **CAUTION:** Observe polarity. Failure to connect the battery properly will result in equipment failure and an unsafe condition. **NOTE:** Emergency lights will NOT come ON at this time.
13. Replace and secure the front cover.
14. Energize the sign fixture with AC supply. The charge indicator lights will illuminate.
15. Adjust and focus the lighting heads as required.

OPERATION

OPERATION:

EXIT - LED lamps will stay on in AC mode and remain on in the Emergency mode. To perform TEST, press the TEST switch. LAMP HEADS - To test the equipment, depress the TEST switch. The charge (LED) indicator will turn OFF and the emergency lights will illuminate. CAUTION: This equipment is furnished with a sophisticated solid state transfer switch which will automatically disconnect the emergency lights from the battery if the battery has been discharged to the end of its useful output. After test, the automatic charger will return into action, charging the battery and trying to maintain it at a fully charged state. NOTE: Allow the battery to charge for a minimum of 24 hours after installation or after a power failure before conducting a 90-minute test.

MAINTENANCE:

Caution: Always turn OFF AC power to the equipment before servicing. Servicing should be performed only by a qualified service technician. Only manufacturer SUPPLIED or APPROVED replacement parts must be used. BATTERY: The battery supplied in this equipment requires no maintenance. However, it should be tested periodically (see TESTING section) and replaced when it no longer operates the connected fixtures for the duration of a 30-second or 90-minute test. The battery supplied in this equipment has a life expectancy of 5-7 years when used in a normal ambient temperature of 72°F. LED LAMP BOARD: When relamping, only use LED light sources specified. Using other LED light source may result in transformer damage or unsafe conditions. OTHER: Clean lenses and replace lamps as required.

Testing:

Does not operate in emergency mode and:

- If the charger indicator light is OFF - Check that the circuit breaker for AC supply is ON.
- If the charger indicator light is ON - Check that the battery is properly connected.

Emergency lights are dim: Implies the battery is not fully charged. Allow battery to recharge for 24 hours and then re-test.

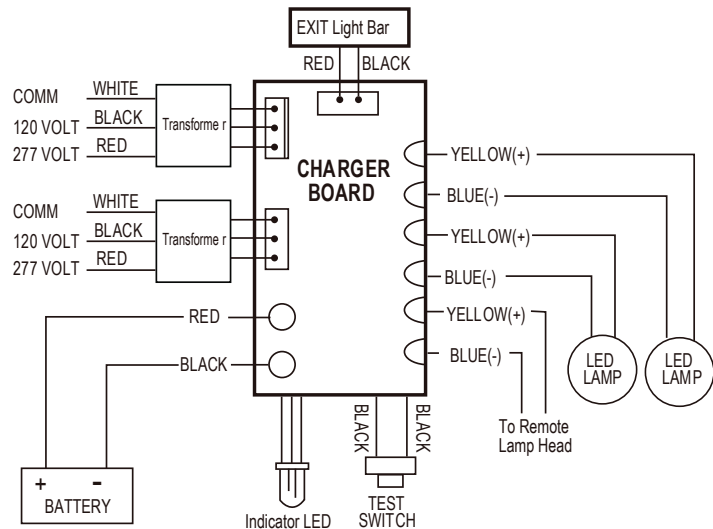
WIRING DIAGRAM

IMPORTANT:

When using electrical equipment, always adhere to basic safety precautions.

NOTE:

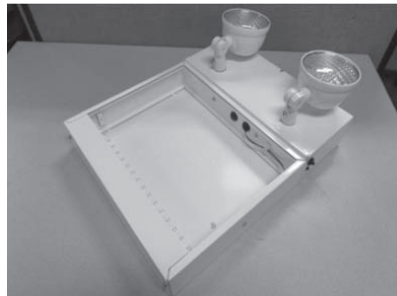
Unused input leads must be properly insulated with wire nuts or other approved methods.



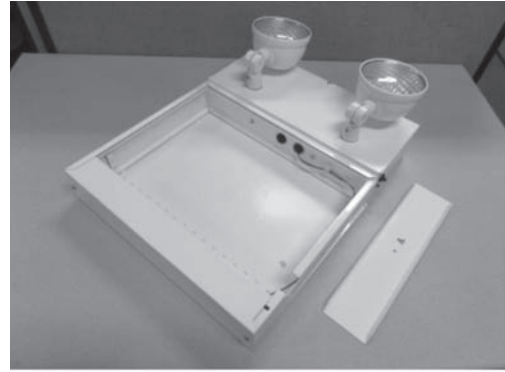
OPERATION

ASSEMBLY INSTRUCTIONS TO ADD FACE PANEL(S) TO INSTALLED HOUSING

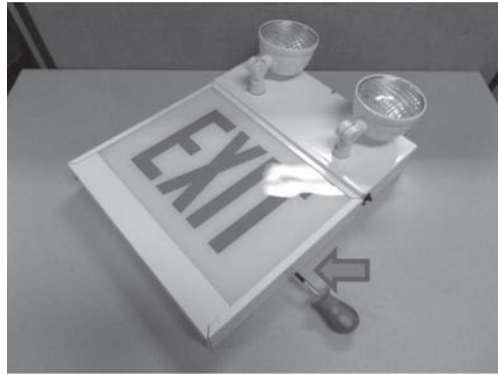
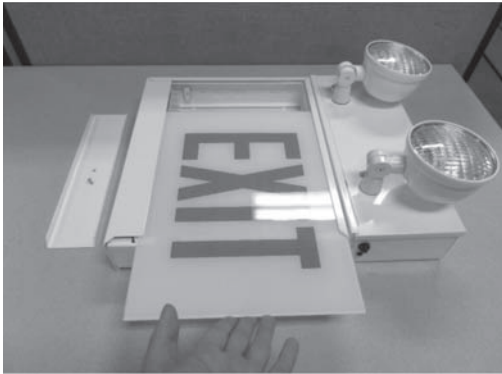
STEP 1: Ensure the appropriate panel is available to be attached to the already installed housing. Please note two (2) panels would be needed for a double-face sign.



STEP 2: Separate the panel cover from the housing by removing the screw and set them both aside. For a double-face sign, slide the backplate out through the channel.



STEP 3: Slide the panel(s) through the channel. Replace the panel cover using the screw (previously removed in STEP 2). Panel assembly process should now be complete.



CLSC Compatibility Chart

FIXTURE/HOUSING PART#	COMPATIBLE PANEL (S) PART #	PANEL LETTERS
CLSCSRW-NP	CP3-ENA	EXIT
CLSCSRW-NP	CP2-SNA	STAIRS
CLSCSRW-NPRC	CP3-ENA	EXIT
CLSCSRW-NPRC	CP2-SNA	STAIRS
CLSCSRB-NP	CP3-ENA	EXIT
CLSCSRB-NP	CP2-SNA	STAIRS
CLSCSRB-NPRC	CP3-ENA	EXIT
CLSCSRB-NPRC	CP2-SNA	STAIRS



RECYCLING INFORMATION

All steel, aluminum and thermoplastic parts are recyclable.
 All cartons contain recycled materials.
 Please recycle responsibly.

Hubbell Lighting, Inc. Life Safety Products • dual-lite.com

Copyright® Hubbell Lighting, Inc., All Rights Reserved • Specifications subject to change without notice. • Printed in U.S.A.

DL_INST_SHT 02/17

