

INSTALLATION INSTRUCTIONS

FIXTURE TYPE \_\_\_\_\_

FAI/ACC, FAI/ACC/V, FAI/ACC/F  
PID59/98 FIELD ADJUSTABLE  
AIRCRAFT CABLE ASSEMBLIES

PG. 1 OF 2

P/C 510481-2000

DO NOT MODIFY OR ALTER THIS PRODUCT IN ANY WAY, OR INSTALL IN ANY FASHION WHICH IS CONTRARY TO THE INSTRUCTIONS CONTAINED HEREIN. IF YOU HAVE ANY QUESTIONS REGARDING THIS PRODUCT OR THE INSTALLATION OF IT, PLEASE CALL LITECONTROL ENGINEERING AT 781-294-0100.

**GENERAL NOTES:**

1. For all aircraft cable assemblies except FAI/ACC/F (cable assy w/feed), the contractor must securely install one 1/4-20 stud at each aircraft cable location, extending 3/4" below ceiling line. See individual fixture sheets for locations of cables. The FAI/ACC/F assembly is made to install over the following outlet boxes: (3-1/2" Octagon, 4" x 2-1/8" Handy box, 3" x 2" Switchbox and plaster ring with 2-3/4" mtg. holes).

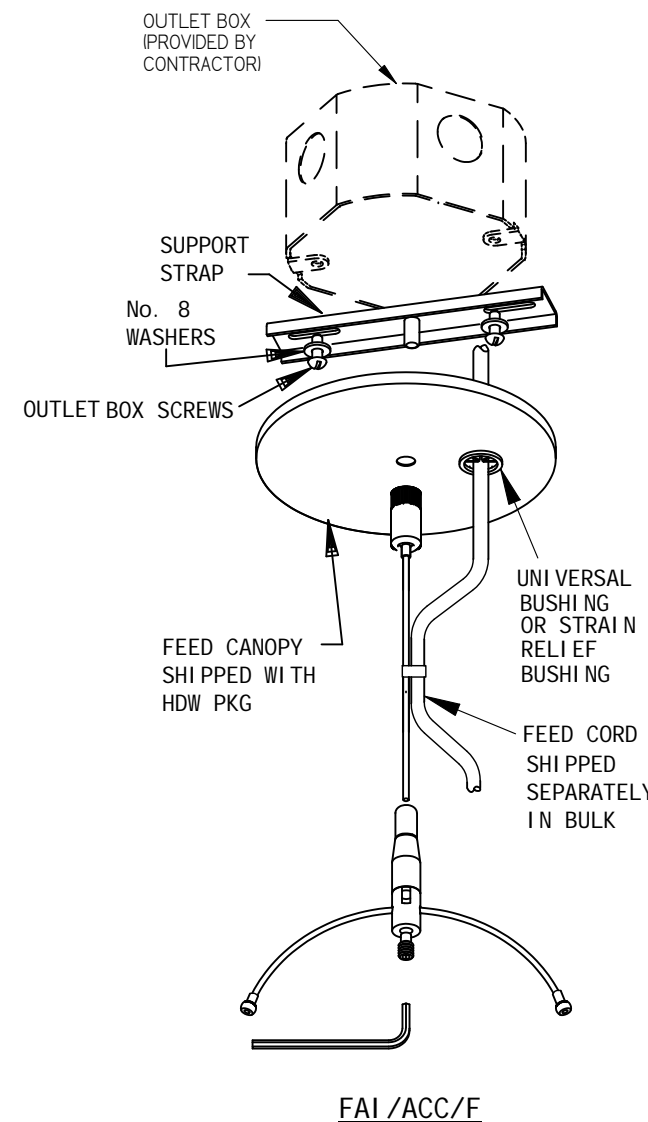
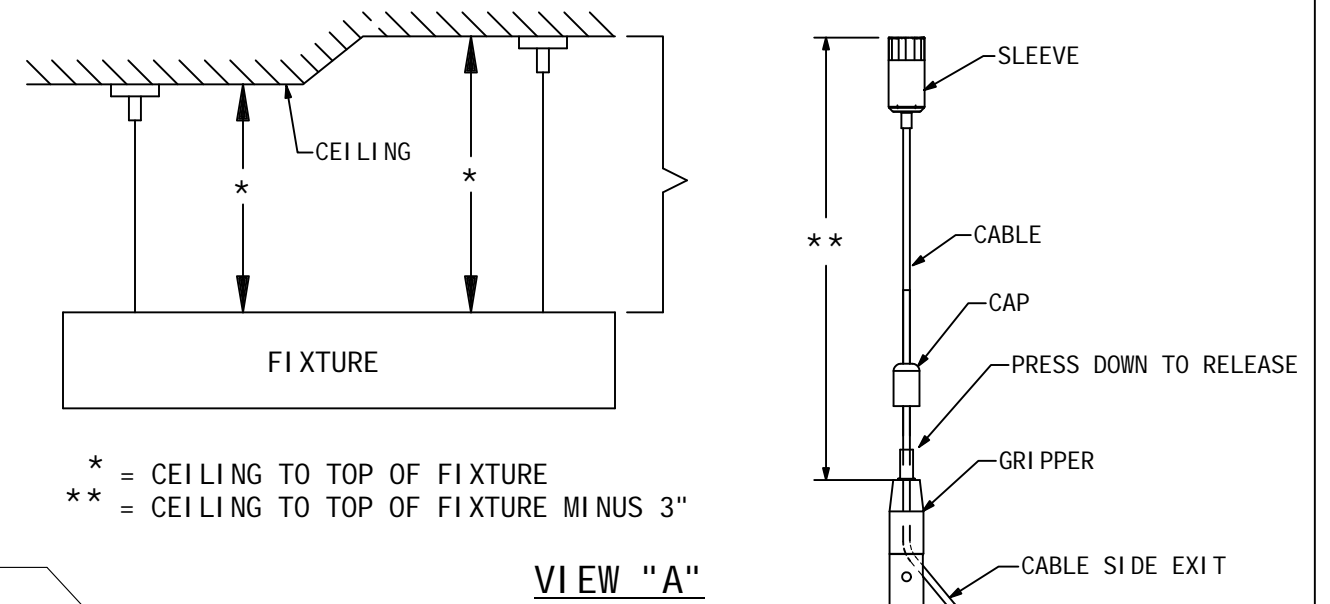
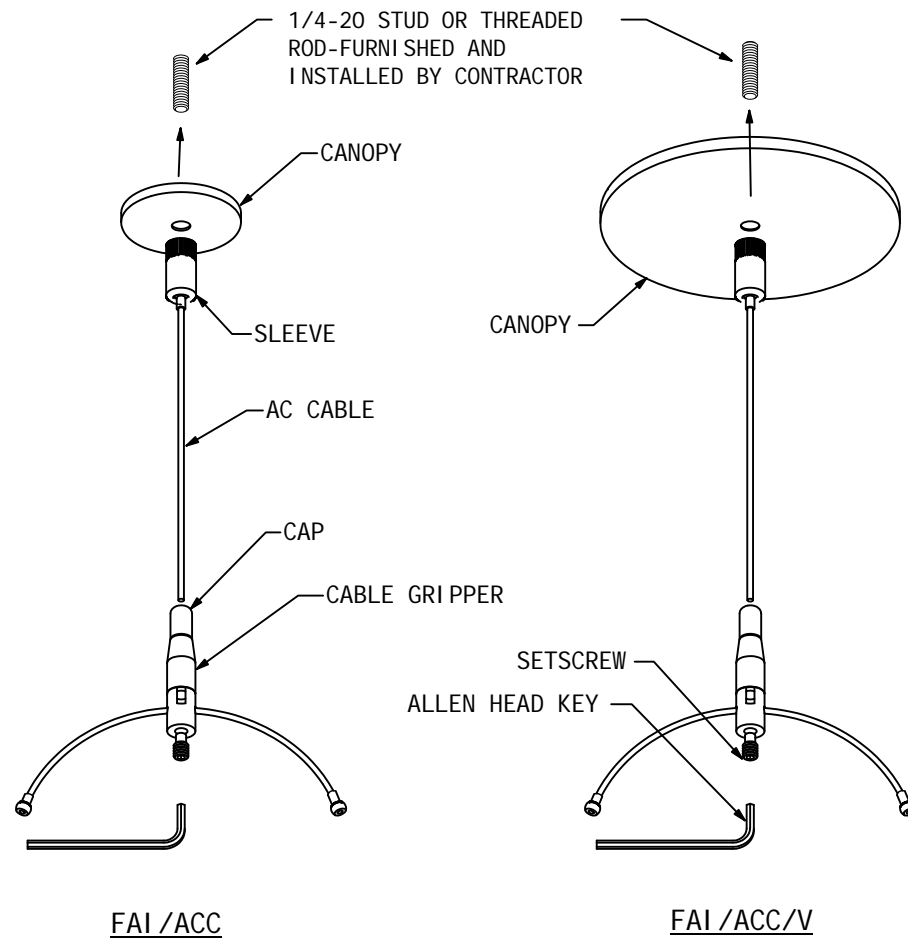
**WARNING:** The National Electric Code requires that any fixture weighing more than (50) pounds be independently supported of an outlet box.

2. Fixtures in rows must be supported by a minimum of one cable (or stem) at the junction of each two fixtures plus one at each end of the row. This is considered by "Underwriters Laboratories" as equivalent to two cables (or stems) per fixture.

3. These fixture supports are to be used only in conjunction with LITECONTROL products for which they were furnished. DO NOT use them for support of any other items or in any fashion which is contrary to this instruction sheet.

4. Yoke cable assemblies are bulk packed and assembled as shown above. Cables are provided in (3) lengths for ceiling to heights of 6"-48", 6"-84" and 6"-216".

\* Note: Support straps are also shipped with FAI/ACC/V assemblies for installation over non-feed outlet boxes.



**PREPARATION OF CABLE ASSEMBLY:**

- Unscrew cap from cable gripper as shown in View "A".
- Determine the distance from the ceiling to the top of the fixture and subtract 3". This is an approximate ceiling to fixture distance, final adjustment will be made after fixture(s) are hung. Slide gripper to length \*\*, by pressing down on the spring loaded top. DO NOT screw cap back on at this time.

**INSTALLATION OF CABLE ASSEMBLY TO FIXTURE:**

Mount yoke cable to fixture end header per instruction sheet 510480.

**INSTALLATION OF YOKE CABLE ASSEMBLIES TO CEILING:**

FAI/ACC and FAI/ACC/V:

- Lift fixture up, place canopy over ceiling stud and screw sleeve to stud.
- While holding fixture, adjust gripper up or down on cable to position fixture in its final location and level. Thread caps back onto grippers.
- Loosen setscrew with allen head key and slide gripper on Bow Cable to level fixture from side to side, then retighten setscrew.
- Trim off excess cable extending out side of gripper.

Continued on page 2

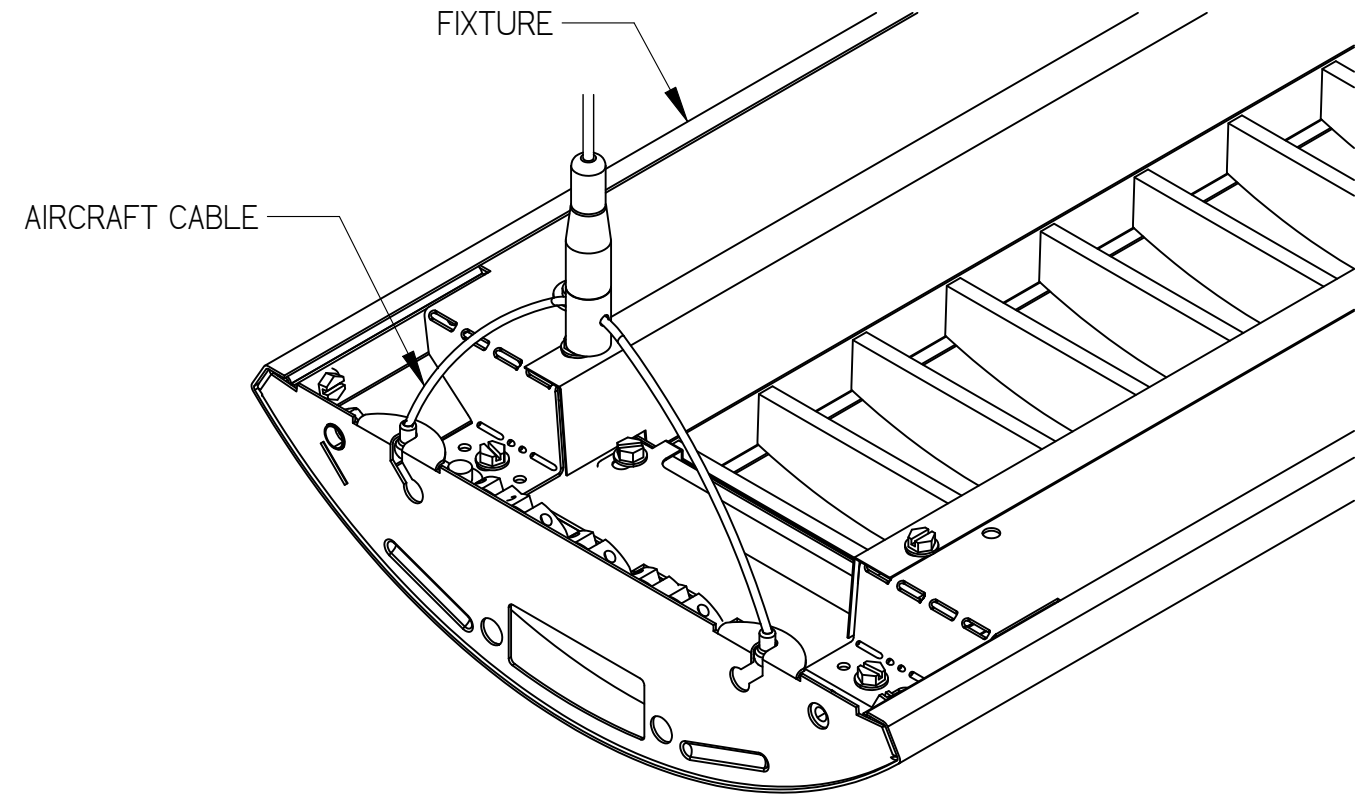
DO NOT MODIFY OR ALTER THIS PRODUCT IN ANY WAY, OR INSTALL IN ANY FASHION WHICH IS CONTRARY TO THE INSTRUCTIONS CONTAINED HEREIN.  
IF YOU HAVE ANY QUESTIONS REGARDING THIS PRODUCT OR THE INSTALLATION OF IT, PLEASE CALL LITECONTROL ENGINEERING AT 781-294-0100.

**FAI/ACC/F:** Making sure that outlet box is flush with ceiling, mount support strap to outlet box with outlet box screws and #8 washers.  
Make wiring connections at box and let feed cord hang down.  
Press universal bushing into canopy and raise canopy to support strap while leading the feed cord thru bushing.  
Screw cable sleeve onto support strap stud making sure that canopy is up against ceiling.

**5. INSTALLATION OF FEED CORD INTO FIXTURE: (CATALOG DESIGNATOR "FAI/ACC/F")**

Note: Feed cord is shipped separately in bulk. Bushings and canopy are shipped in hardware package.

- A) Remove a 5/8" knockout at feed location. Run feed cord down along aircraft cable and insert into knockout with strain relief bushing.  
Both straight and right angle strain relief bushings have been provided: use the one which best suits your particular wire routing situation and discard the other.
- B) Make wiring connections inside fixture wireway in accordance with the NEC and any local codes.
- C) Using the nylon tie fasteners provided, secure feed cord to cable every 4-5". Snip off loose ends of the fasteners.



ISOMETRIC VIEW OF FIXTURE