

INSTALLING PENDANT MOUNT (See Figure 7):

1. Remove wire box cover by removing (2) 8-32 screws. (Figure 5)
2. Thread one Locknut onto the Rigid Conduit at least 1/2".
3. Thread a second Locknut onto the end of the Rigid Conduit allowing enough gap to slide the yoke between the two Locknuts.
4. Lift Fixture and slide the Conduit into the "U" channel of the Yoke. The Yoke will be sandwiched between the two Locknuts.
5. Feed approximately 3-4" of Supply Cord into the wire box with the supply wires hanging out of the Wire Box.
6. Crimp Strain Relief on Power Cord just behind the bottom of the Rigid Conduit.
7. Tighten bottom Locknut to Lock the Yoke in place.
8. Connect Supply wires to the Fixture wires with approved Wirenuts.
9. Place Wires inside Housing and replace wire box cover. Tighten Screws.

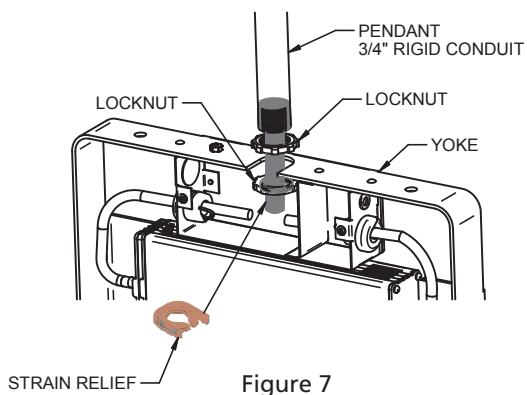


Figure 7



WARNINGS

Observe all precautions usually followed when dealing with high voltage equipment when installing or servicing this light fixture.

- Disconnect power before installing or servicing.
- The product must be installed in accordance with the applicable installation code by a person familiar with the construction and operation of the product and the hazards involved.
- Protect all wiring connections with approved insulators rated 600V, 150°C.
 - Line voltage must match fixture voltage requirement.

SAVE THESE INSTRUCTIONS FOR FUTURE REFERENCE

- Upon receipt of this fixture, thoroughly inspect it for any damage. If any is found, the carrier should be notified and held accountable.

ATTACH YOKE ASSEMBLY TO HOUSING:

1. Align holes in Yoke to holes on side of Housing (2 places). (See Figure 1)
2. Secure Yoke to Housing with (2) 1/4-20 screws and (2) star washers. (See Figure 2)
3. Prevent rotation of the Yoke with (2) 8-32 screws. (See Figure 2)
4. Connect both halves of Driver Disconnect. (See Figure 3)
5. Attach Electric Box Cover to Housing with (2) 8-32 screws. (See Figure 4)

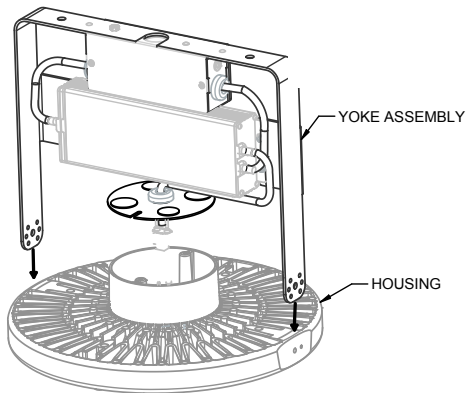


Figure 1

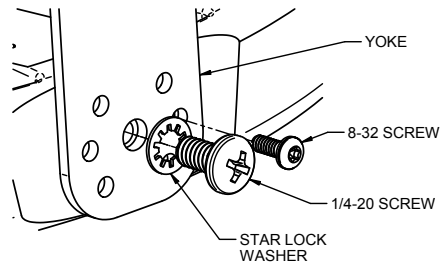


Figure 2

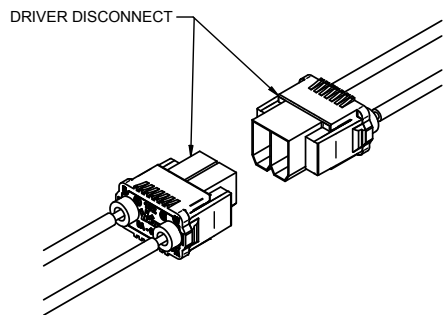


Figure 3

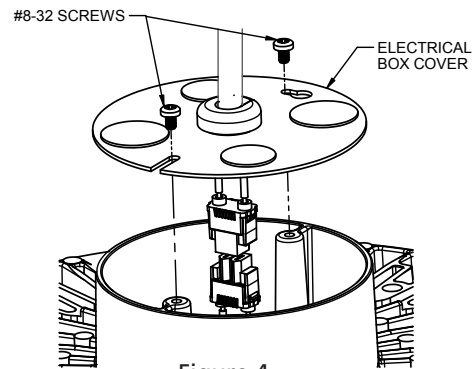


Figure 4

INSTALLING HOOK MOUNT (See Figures 5 & 6):

1. Remove wire box cover by removing (2) 8-32 screws. (Figure 5)
2. Insert end of Cord through Hook. Supply Cord is to be rated for a minimum of 90°C 16/3 SOW-A.
3. Feed approximately 3-4" of Supply Cord through hook.
4. Crimp Strain Relief on Power Cord just behind Hook.
5. Thread the 3/4" Locknut onto the Hook almost to the flange of the hook.
Hex shape on the hook should be on the casting in order to tighten it in place.
6. CAUTION: Do not twist the Hook by using a screwdriver blade – too much force could break the Hook.
7. Place the Hook in the "U" channel of the yoke.
8. Thread a second Locknut onto the Hook and tighten to keep hook from loosening.
9. The yoke will be sandwiched by the two Locknuts.
10. Connect Cord wires to the Fixture wires with approved Wirenuts.
11. Place Wires inside Wire Box and replace wire box cover. Tighten Screws that secure wire box cover.
12. Attach Hook Closure Bracket onto end of Hook with Screw provided.
After Fixture is hung, the Closure Bracket should be secured across the hook opening to prevent disengagement.

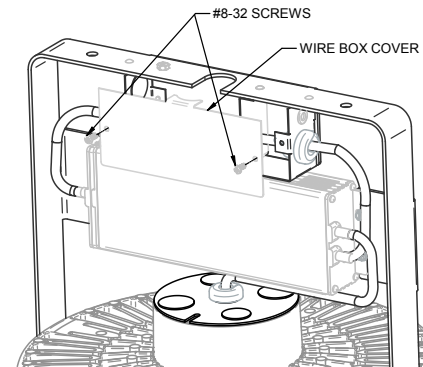


Figure 5

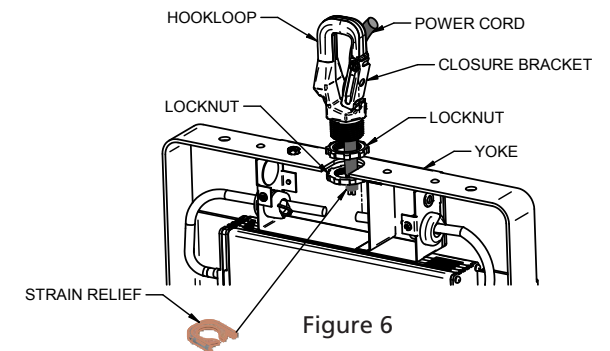


Figure 6