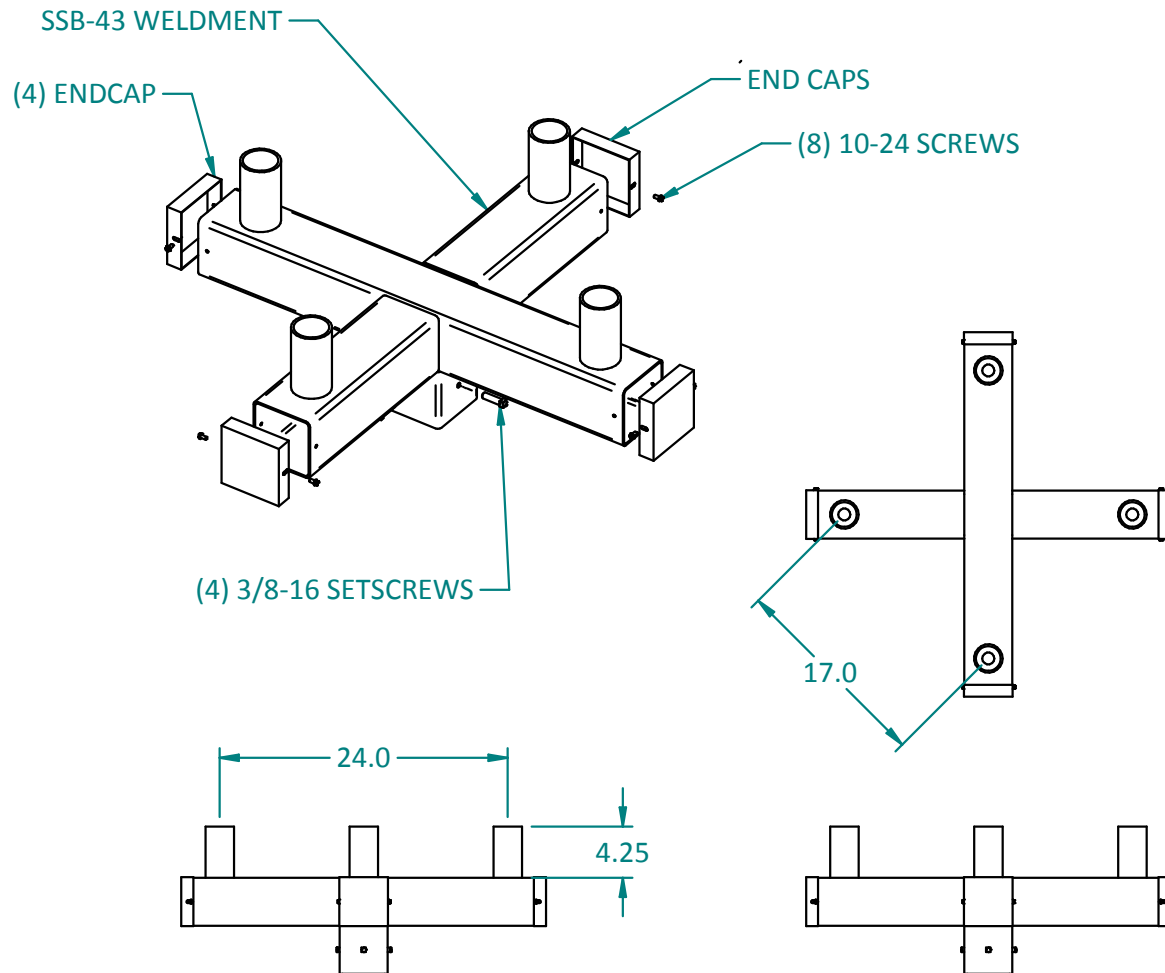


SSB-43 - Square Steel Bracket - Quad Light 90° POLE MOUNT ACCESSORY



HUBBELL
Outdoor Lighting



Mounting Notes:

1. Bracket is designed to fit on a 2" pipe tenon (2-3/8" O.D.) at least 4" tall.
2. Pull supply wire from pole top into one of the arms of the bracket. Run wire to other arms as needed.
3. Place bracket on pole top, insure the top fits inside the collar welded to the underside of the bracket. Do not pinch wiring.
4. Rotate bracket to the desired position.
5. Secure bracket to tenon by tightening all (4) set screws.
6. Install all endcaps and secure with screws provided.

Shipping Package Contents:

SSB-43 Weldment (1)
Endcaps (4)
3/8-16 SetScrew (4)
10-24 Screw (8)

Material: Steel

Finish: Powder Paint

Weight: 46 lbs

EPA: 1.4 FT²