

SAVE THESE INSTRUCTIONS

WARNING! LUMINAIRES require high current and voltage. HID LAMPS used in luminaires generate intense light and high temperatures. HID LAMPS may emit UV and IR radiation. LAMPS may contain MERCURY (Hg), LEAD (Pb) and other potentially dangerous and/or toxic materials. If lamp is marked (Hg) it contains mercury and is subject to disposal laws. See www.lamprecycle.org. HID LAMPS may rupture unexpectedly.

WARNING! Fixtures must be grounded and installed in accordance with the National Electrical Code and all local codes. Failure to do so may increase the **RISK OF PERSONAL INJURY, PROPERTY DAMAGE, FIRE AND DEATH**. Install and use so lamp and control gear burnouts do not cause a hazard and use only in environments for which the product is specifically marked.

WARNING! This product contains chemicals known to the State of California to cause cancer, birth defects, and/or other reproductive harm. Thoroughly wash hands after installing, handling, cleaning, or otherwise touching this product.

CAUTION! Follow ALL luminaire and lamp manufacturer's recommendations, product markings, instructions, restrictions and warnings regarding luminaire and lamp operation, burning position, cycling and lamp replacement. Luminaire label shows electrical, environmental and lamp requirements. **STOP USING WHEN LAMP FAILS**. Continued operation will result in control gear damage and possible nuisance smoke.

All electrical work must be done by a qualified electrician.

Turn off electric power to all affected circuits and allow to cool before servicing.

A regularly scheduled maintenance program should be established to retain optimum light output and reduce heat retention. Dusting with a soft, clean, dry cloth is normally sufficient for the reflector. Any accumulation of dust or dirt should be removed regularly from both sides of the lens during relamping. Use only a mild soapy solution, DO NOT use alkaline or acid cleaners on reflector surfaces.

Carefully read these instructions before installing product. If you do not understand these instructions, before starting any work, contact your Hubbell Lighting distributor or techsupport@hubbell-ltg.com or (864) 678-1000

Give instructions to facility owner/manager for future reference.

NOTE: DO NOT OPEN FIXTURE. FIXTURE HAS BEEN DESIGNED WITH EASY TO INSTALL MOUNTING BRACKETS.

TOOLS REQUIRED: FLAT BLADE SCREWDRIVER OR 5/16" NUT DRIVER, DRILL, ANY ADDITIONAL TOOLS NEEDED FOR APPROPRIATE WALL FASTENERS

PARTS REQUIRED: (SUPPLIED BY OTHERS) SILICONE CAULK, TEFLON TAPE, 1/4" WALL ANCHORS AND FASTENERS APPROPRIATE FOR WALL CONSTRUCTION TYPE

STEP I MOUNTING PREPARATION

CAUTION: FIXTURE WEIGHS ABOUT 15 POUNDS

- Using mounting bracket (A) as a template, align slots in bracket with mounting holes in junction box (B) on the wall. Mark hole locations (4) 4.5" square. (See Fig.1)
- Drill wall for the hardware appropriate for the type wall. Use 1/4 diameter bolt (supplied by others) and attach bracket to wall.
- Pull the supply wires (C) from junction box (B).
- Apply caulking sealant (supplied by others) around the top and two sides of the bracket where it meets the wall.

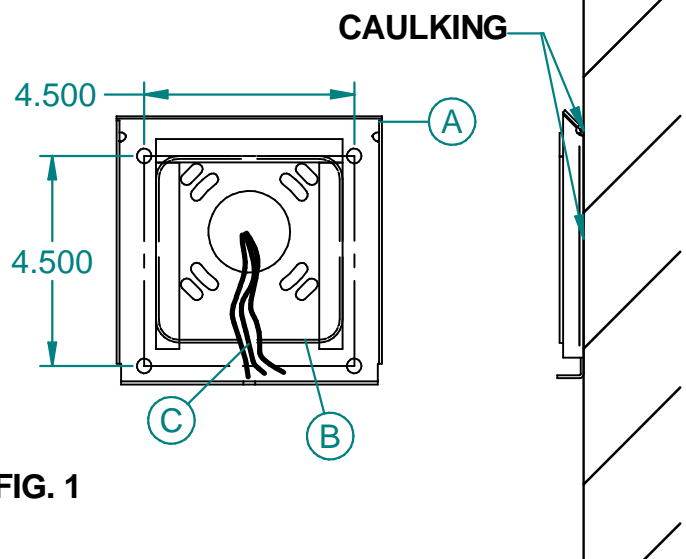


FIG. 1

INSTALLATION INSTRUCTIONS

SAVE THESE INSTRUCTIONS

NOTE: DO NOT OPEN FIXTURE. FIXTURE HAS BEEN DESIGNED WITH EASY TO INSTALL MOUNTING BRACKETS.

REMOVE HUB PORTS AND ADD TEFLON TAPE

STEP II FIXTURE PREPARATION (See Fig. 2)

- Remove hub ports at (D), (E), and (F).
- Apply Teflon tape (supplied by others) to hub ports and re-install.

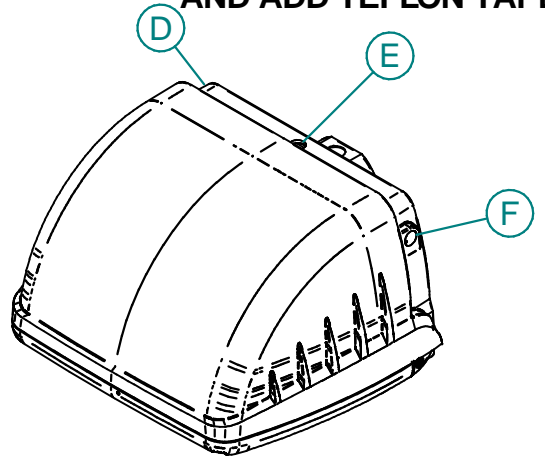


FIG. 2

Step III WIRING (See Fig. 3)

- **POWER MUST BE OFF.**

(WIRING MUST BE PERFORMED BY A QUALIFIED ELECTRICIAN)

- Wire service leads to fixture power leads according to local and National Electric Codes.
- Luminaire is equipped with a universal voltage driver capable of 120V-277V input.
- For direct wire connections, connect ground wire to green wire. Connect black to black and white to neutral then push connections back inside J-box (B).

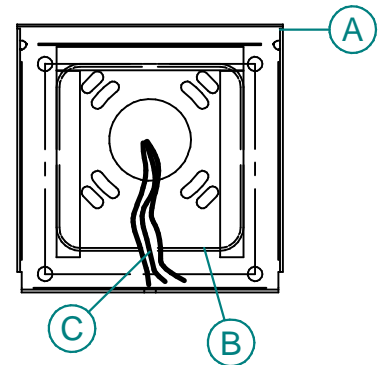


FIG. 3

STEP IV FIXTURE MOUNTING (See Fig. 4)

- Hold fixture at a slight angle, slide over mounting plate and rotate downward to capture plate.
- Tighten screw (G) securely.
- Check to ensure secure mount.
- Energize product.

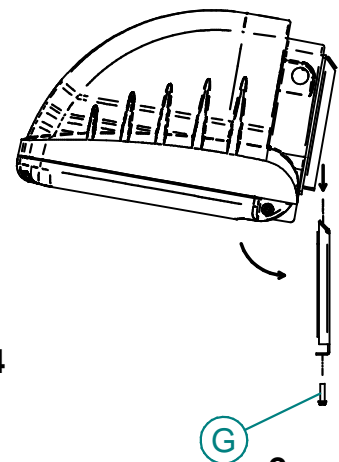


FIG. 4

2