



Outdoor Lighting

LAREDO

INSTALLATION INSTRUCTIONS FOR WALLPACK LUMINAIRE

WARNING: DISCONNECT POWER BEFORE INSTALLATION OR MAINTENANCE. READ INSTRUCTIONS CAREFULLY BEFORE ATTEMPTING TO INSTALL LUMINAIRE, FAILURE TO COMPLY WITH INSTRUCTIONS COULD RESULT IN PERSONAL INJURY AND/OR PROPERTY DAMAGE. RETAIN INSTRUCTIONS FOR FUTURE REFERENCE.

STEP I MOUNTING PREPARATION

CAUTION: FIXTURE WEIGHTS ABOUT 30 POUNDS

- Using template (A) lay over junction box (B) on the wall. Mark at (3) hole. (See Fig.1)
- Drill wall for the hardware appropriate for the type wall. Use 1/4 diameter bolt.
- Pull the supply wires (C) from junction box (B) .

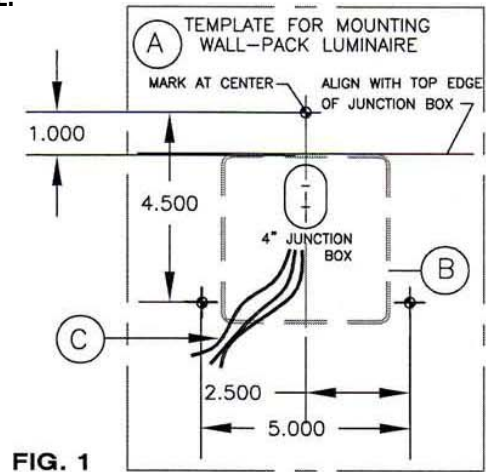


FIG. 1

STEP II FIXTURE MOUNTING PREPARATION (See Fig. 2)

- To open door (E), loosen (2) retaining screws (F).
- For optional quick release door latch, push pin (D) to open door (E).
- Loosen (4) screws (X) and then remove reflector (H).
- Loosen screws (O), remove cover (P) and discard.

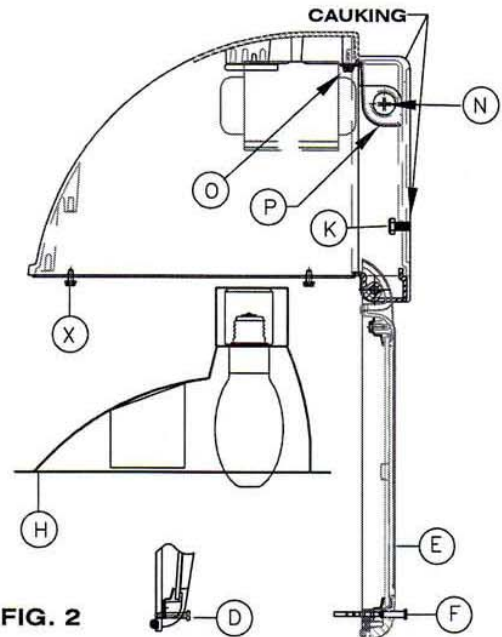


FIG. 2

STEP III FIXTURE MOUNTING (See Fig.3)

- Insert all wires (C) through slit on gasket opening at the back of housing.
- Hang fixture on the mounting hardware at the wall through key-slots opening (J).
- Tighten bolts (K) securely.
- Apply caulking sealant around the top and two sides of the housing.

Step IV WIRING (See Fig. 3)

- **POWER MUST BE OFF. (WIRING MUST BE PERFORMED BY A QUALIFIED ELECTRICIAN)**
- Wire service leads to fixture power leads according to local and National Electric Codes.
- For direct wire connections, connect ground wire to green wire then push wire back to J-box on the wall. Connect black to black and white to neutral then push connections back inside J-box (B).
- When supplied with optional terminal block (L) or fuseblock (M) connect service leads to these devices.

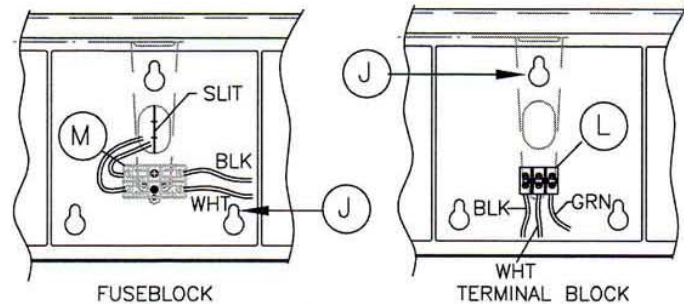
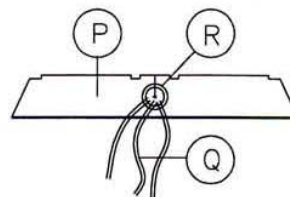


FIG. 3

FOR THROUGH WIRING USING CONDUIT

- Remove hole plug (N) for the conduit entry
- Use pipe sealant before engaging conduit fittings to prevent water leakage.
- Loosen screw (O) and remove wire cover (P).
- Insert fixture lead wires (Q) through grommet (R).
- Make the wire connections.
- Replace cover (P) making sure not to pinch wires.





Outdoor Lighting

LAREDO

INSTALLATION INSTRUCTIONS FOR WALLPACK LUMINAIRE

STEP V LAMPING

- Make sure that the lamp size and type matches the ballast specifications.
- Replace reflector (H).
- Engage the lamp to socket (S).
- For medium base lamps – to ensure proper contact, loosen the lamp one turn then retighten.

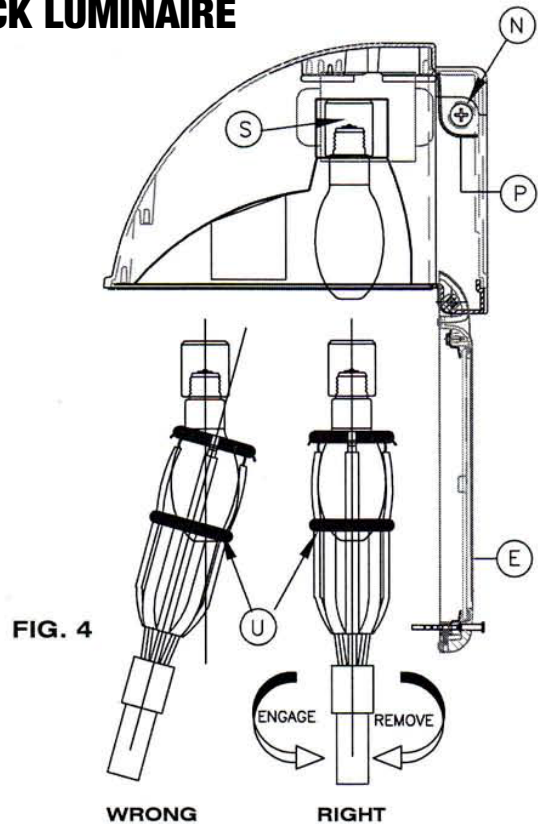
STEP VI RE-LAMPING USING POLE STICK (By others)

(See Fig.4)

CAUTION:

WEAR SAFETY GOGGLES IN THE EVENT LAMP BREAKS

- Using the other end of the pole, push latch pin (D) and slowly lower the door to open position.
- Align lamp changer (U) with the lamp, then slowly push up to engage. Unscrew to remove lamp.
- Attach the replacement lamp to head changer (U), align with the socket and screw in to engage.
- To close door use again the other end of the pole, raise the front end of the door up to engage latch.



REMOVING FRONT DIRECTOR FOR IMPROVING FORWARD THROW BEAM DISTRIBUTION.

- Loosen (4) retaining screws (X) and remove reflector (H).
- Unbend the two tabs to remove the front director (Z).

STEP VII INSTALLING VANDAL SHIELD (See Fig. 5)

- Open door (E) by loosening retaining screws (F).
- From the inside on each (4) bosses adjacent to the lens clips, drill the door through using .173" diameter No.17 drill bit.
- Install vandal shield (Y) using (4) self-threading screws (V) provided.
- Remove metal chips and replace door.

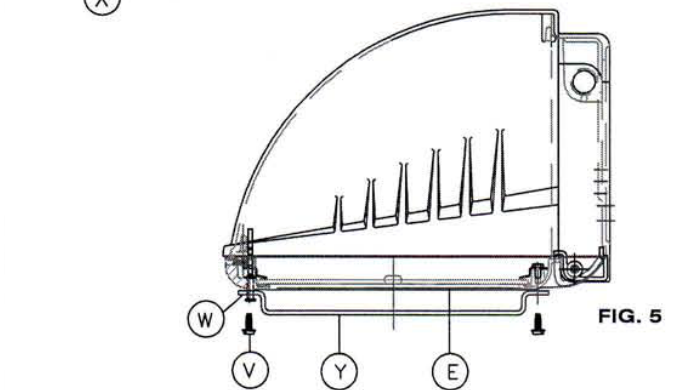
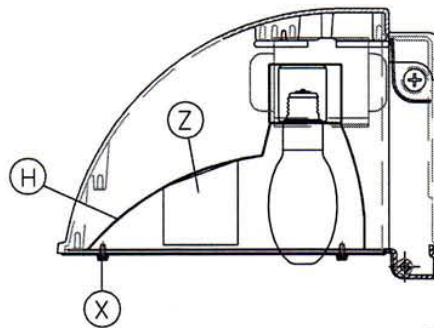


FIG. 5

STEP VIII PBT PHOTOCONTROL FIELD INSTALLATION

(See Fig. 6)

- Remove hole plug (N) from the side of housing.
- Install photocontrol switch (PC) from the inside of housing using gasket (gg) and nut (nn).

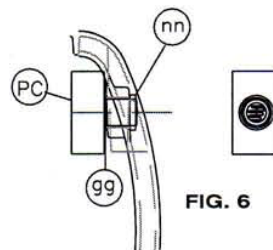


FIG. 6