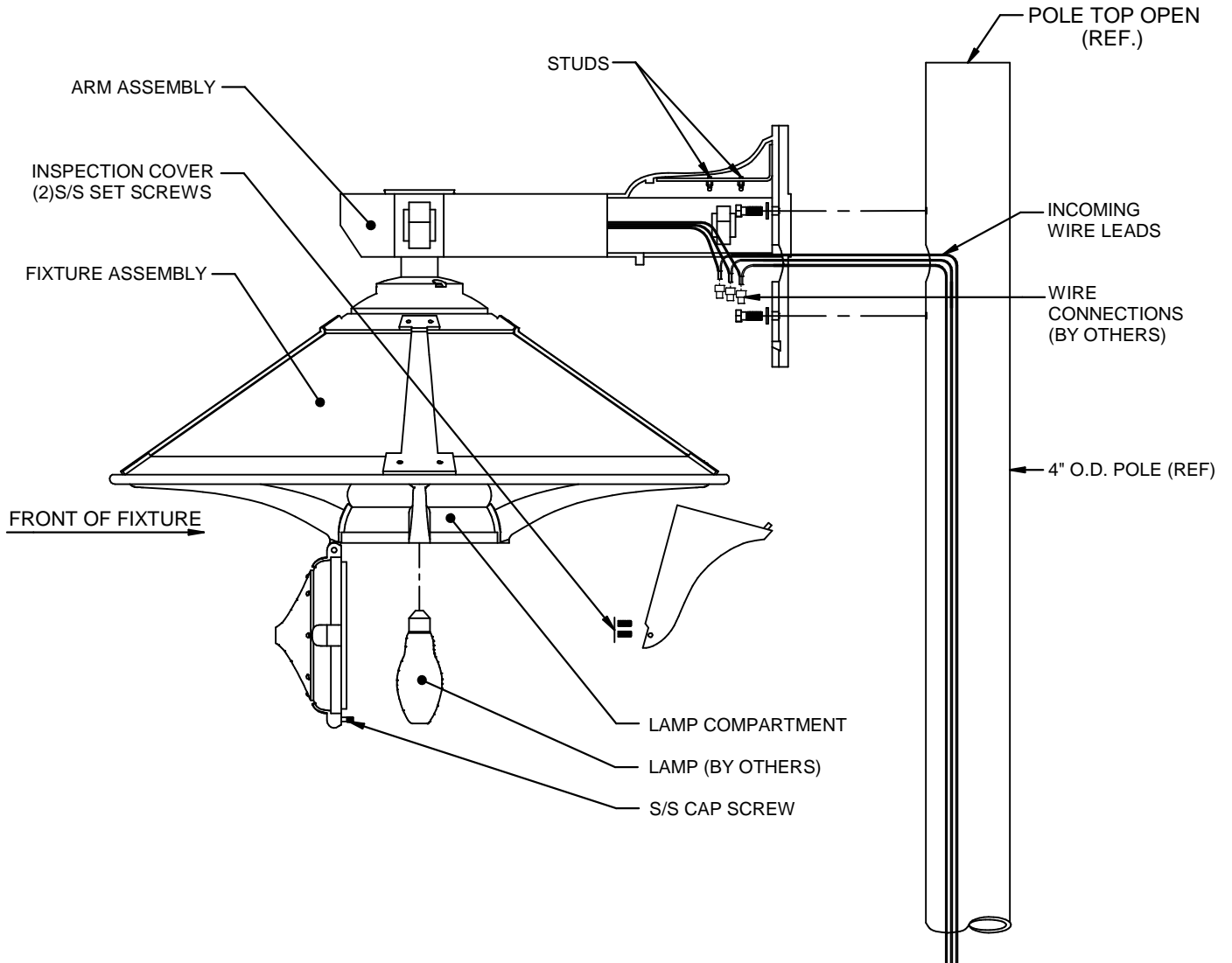


INSTALLATION INSTRUCTIONS

CATALOG NUMBER
ACRD - ABL
(REMOTE BALLAST)

FIXTURE ASS'Y. SUSPENDED FROM ARM (ABL) (BALLAST ASS'Y. LOCATED REMOTE)



FIXTURE INSTALLATION STEPS:

- 1) TURN POWER OFF.
- 2) PULL INCOMING WIRE LEADS THROUGH WIRE WAY AND SECURE ARM ASS'Y TO POLE WITH (2) 3/8-16 HEX BOLTS AND LOCK WASHERS.
- 3) MAKE WIRE CONNECTIONS FROM INCOMING SUPPLY FROM REMOTE BALLAST. (WHITE TO WHITE, BLACK TO BLACK, GREEN TO GREEN).
NOTE: CONNECT GREEN GROUND LEAD TO EQUIPMENT GROUND.
- 4) ALIGN STUDS WITH TOP OF BALLAST BRACKET AND PLACE ALL WIRING AND BALLAST INTO ARM ASSEMBLY.
- 5) SECURE INSPECTION COVER WITH (2) S/S SET SCREWS.
- 6) INSTALLATION COMPLETE.

LAMP INSTALLATION STEPS:

- 1) LOOSEN S/S CAP SCREW AND OPEN FIXTURE.
- 2) INSTALL LAMP.
- 3) CLOSE FIXTURE AND SECURE CAP SCREW.
- 4) INSTALLATION COMPLETE.

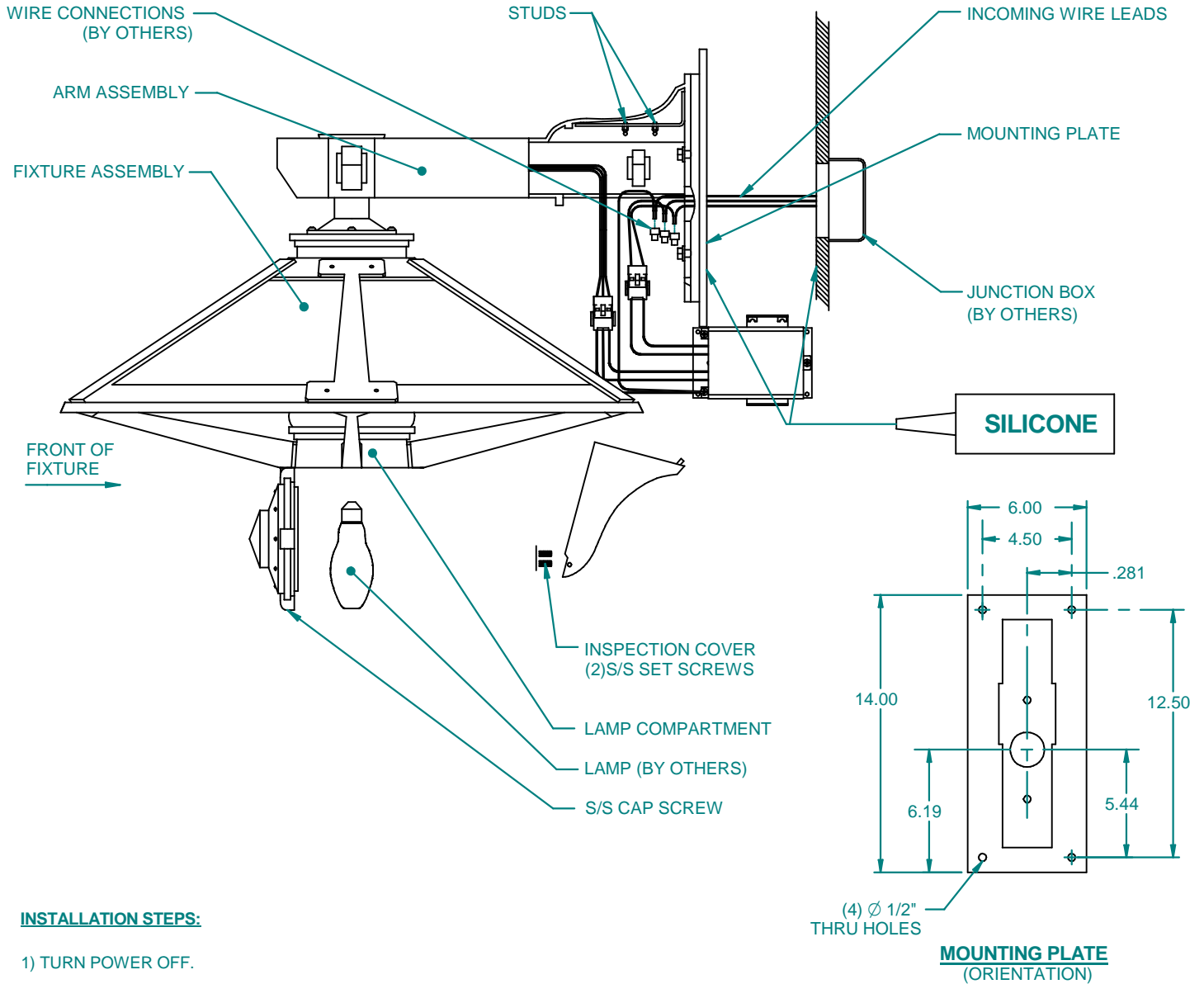
REMOTE BALLAST:

- 1) BALLAST ASS'Y. BY A.A.L. TO BE LOCATED REMOTE. REMOTE COMPARTMENT AND INSTALLATION BY OTHERS.

INSTALLATION INSTRUCTIONS

CATALOG NUMBER
ACSQ - WMBL

WALL MOUNTED SUSPENDED FROM ARM (WMBL)



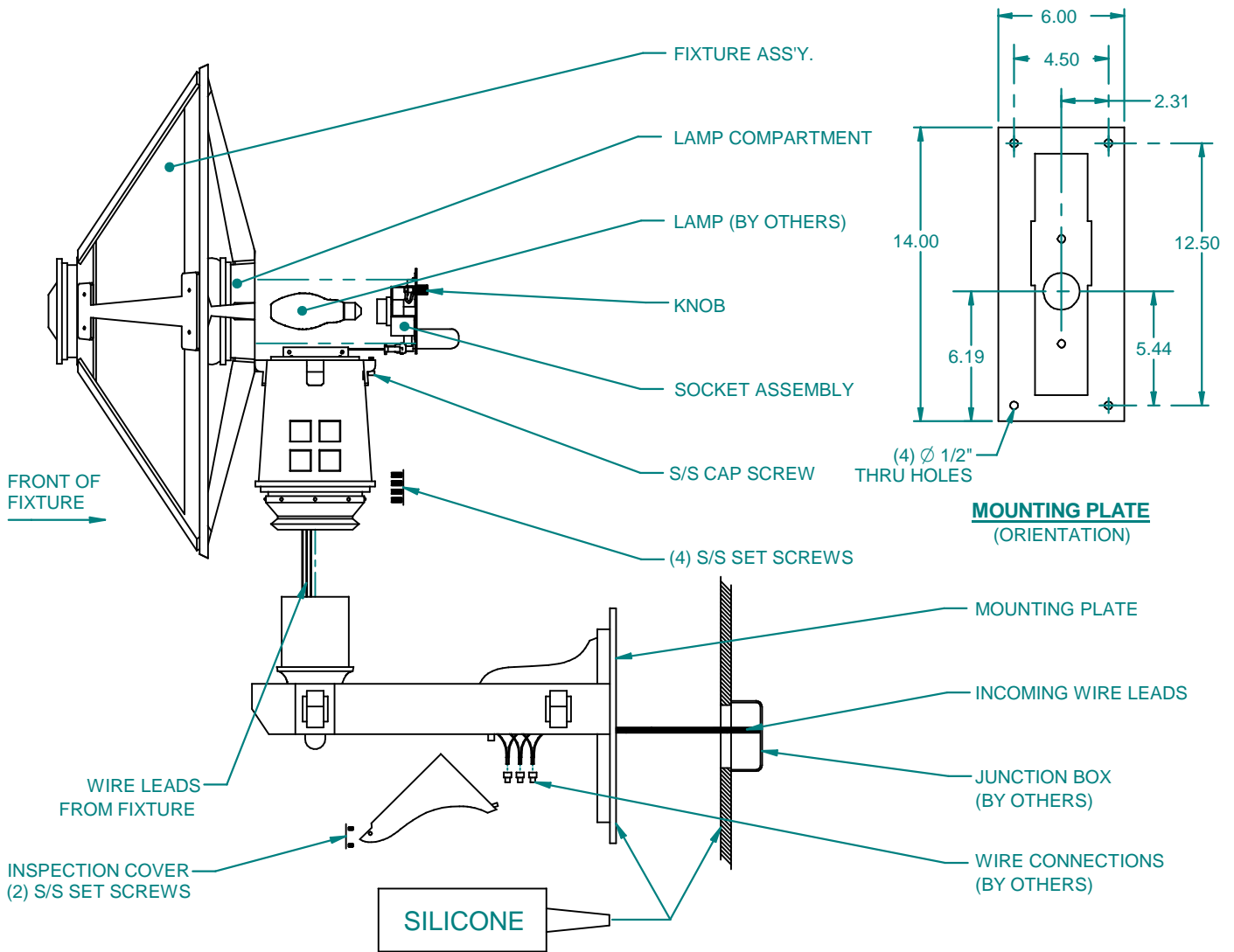
INSTALLATION STEPS:

- 1) TURN POWER OFF.
- 2) PULL INCOMING WIRE LEADS THROUGH WIRE WAY AND SECURE ARM ASS'Y TO MOUNTING SURFACE. (NOT FOR J-BOX MOUNTING HARDWARE BY OTHERS)
- 3) MAKE WIRE CONNECTIONS FROM INCOMING SUPPLY TO BALLAST.
- 4) ALIGN STUDS WITH TOP OF BALLAST BRACKET AND PLACE ALL WIRING AND BALLAST INTO ARM ASSEMBLY.
- 5) SECURE INSPECTION COVER WITH (2) S/S SET SCREWS.
- 6) SILICONE ALL AROUND BACK PLATE MOUNTING SURFACE, AS SHOWN.
- 7) INSTALLATION COMPLETE.

LAMP INSTALLATION STEPS:

- 1) LOOSEN S/S CAP SCREW AND OPEN FIXTURE. TO ALLOW ACCESS LAMP COMPARTMENT.
- 2) INSTALL LAMP.
- 3) CLOSE FIXTURE AND SECURE CAP SCREW.
- 4) INSTALLATION COMPLETE.

WALL MOUNTED TOP OF ARM (WMTP)



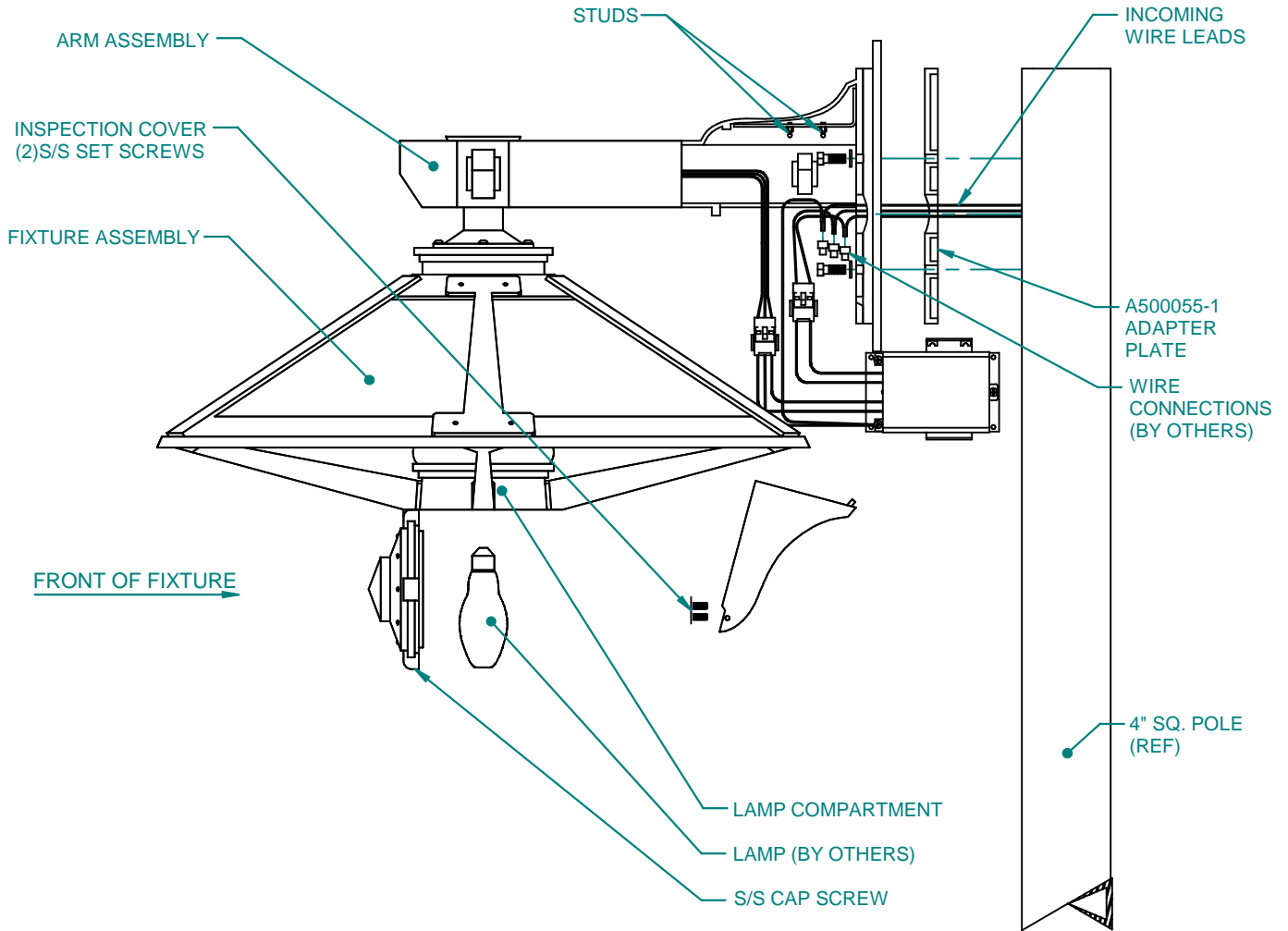
FIXTURE INSTALLATION STEPS:

- 1) TURN POWER OFF.
- 2) PULL INCOMING WIRE LEADS THROUGH WIRE WAY AND SECURE ARM ASS'Y TO MOUNTING SURFACE. (NOT FOR J-BOX MOUNTING. MOUNTING HARDWARE BY OTHERS).
- 3) PLACE FIXTURE ASS'Y. ONTO ARM ASS'Y AS SHOWN AND SECURE WITH (4) SET SCREWS.
- 4) PULL WIRE LEADS FROM FIXTURE THROUGH ARM ASS'Y AND MAKE WIRE MAKE WIRE CONNECTIONS FROM INCOMING SUPPLY TO FIXTURE ASS'Y.
- 5) SECURE INSPECTION COVER WITH (2) S/S SET SCREWS.
- 6) SILICONE ALL AROUND BACK PLATE AND MOUNTING SURFACE AS SHOWN.
- 7) INSTALLATION COMPLETE.

LAMP INSTALLATION STEPS:

- 1) LOOSEN S/S CAP SCREW AND OPEN FIXTURE. TWIST KNOB COUNTER CLOCKWISE AND LIFT OUT TO ALLOW ACCESS TO LAMP COMPARTMENT.
- 2) INSTALL LAMP AND PLACE SOCKET ASSEMBLY BACK INTO LAMP COMPARTMENT, TWIST KNOB CLOCKWISE UNTIL SECURE.
- 3) CLOSE FIXTURE AND SECURE CAP SCREW.
- 4) INSTALLATION COMPLETE.

SUSPENDED FROM ARM (ABL)



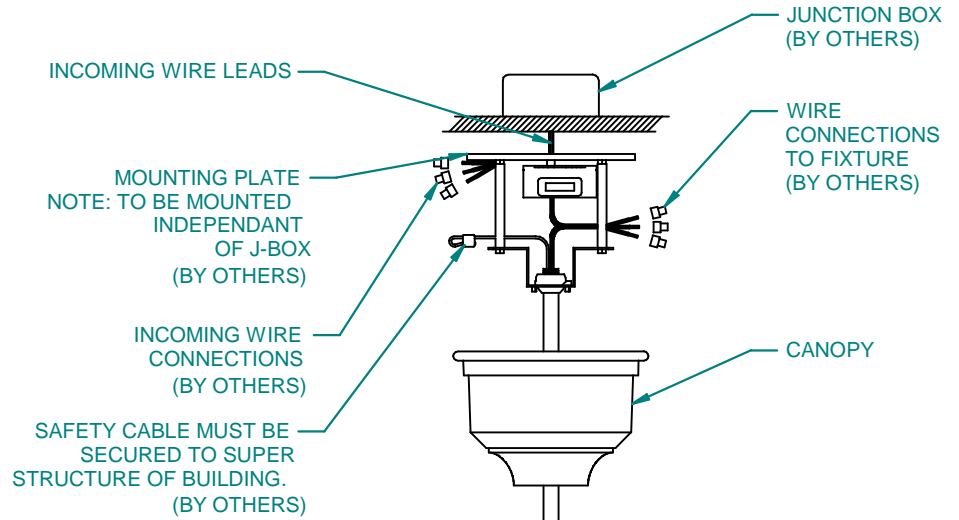
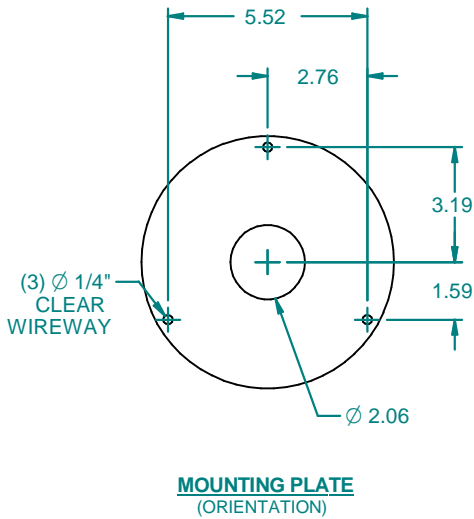
FIXTURE INSTALLATION STEPS:

- 1) TURN POWER OFF.
- 2) PULL INCOMING WIRE LEADS THROUGH WIRE WAY AND SECURE ARM ASS'Y TO MOUNTING SURFACE. (NOT FOR J-BOX MOUNTING HARDWARE BY OTHERS)
- 3) MAKE WIRE CONNECTIONS FROM INCOMING SUPPLY TO BALLAST.
- 4) ALIGN STUDS WITH TOP OF BALLAST BRACKET AND PLACE ALL WIRING AND BALLAST INTO ARM ASSEMBLY.
- 5) SECURE INSPECTION COVER WITH (2) S/S SET SCREWS.
- 6) INSTALLATION COMPLETE.

LAMP INSTALLATION STEPS:

- 1) LOOSEN S/S CAP SCREW AND OPEN FIXTURE.
- 2) INSTALL LAMP.
- 3) CLOSE FIXTURE AND SECURE CAP SCREW.
- 4) INSTALLATION COMPLETE.

PENDANT WITH STEM MOUNTING (PND)



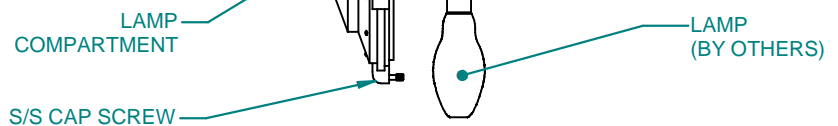
FRONT OF FIXTURE →

FIXTURE INSTALLATION STEPS:

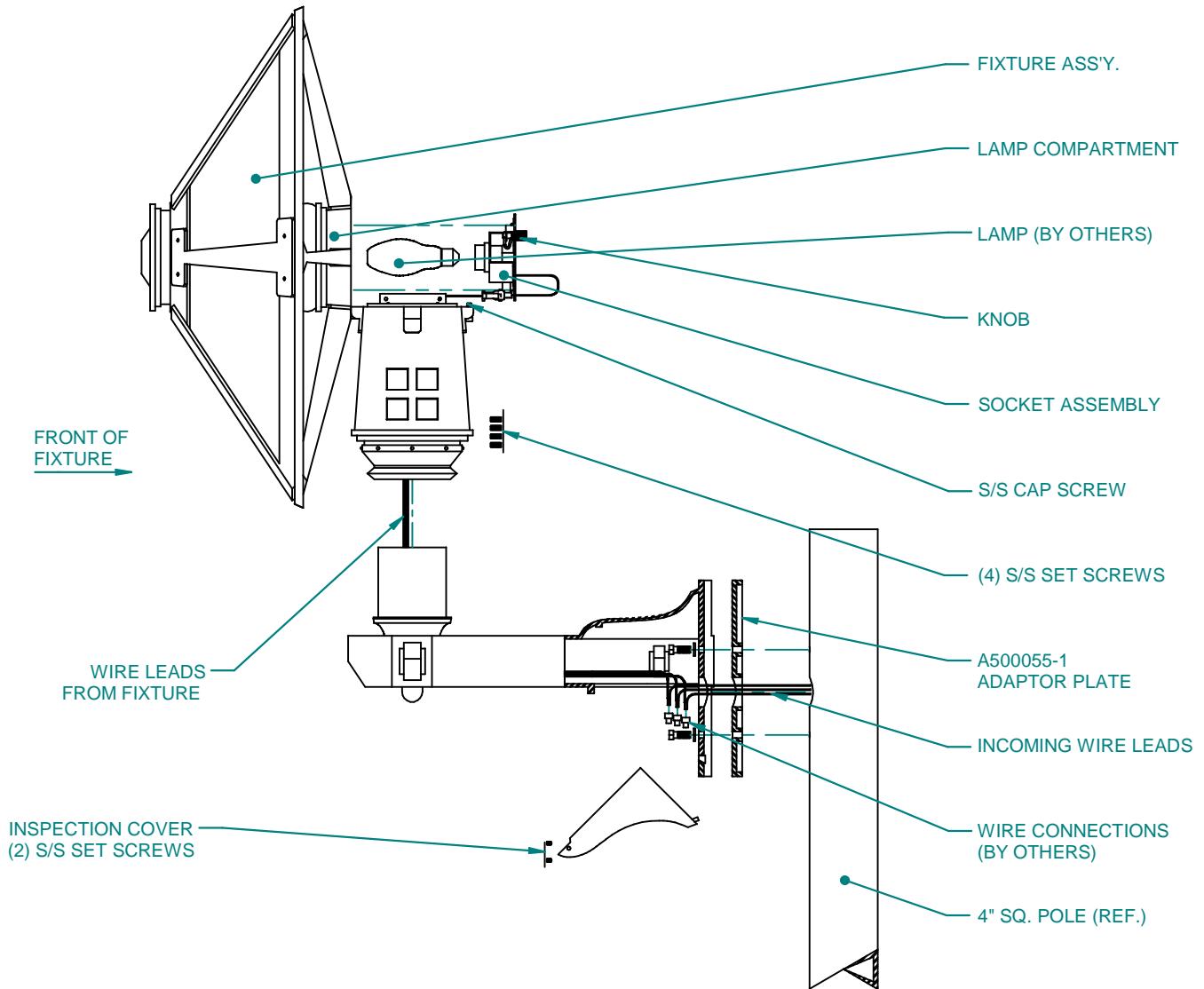
- 1) TURN OFF ALL POWER.
- 2) RUN WIRE LEADS AND SAFETY CABLE FROM FIXTURE THROUGH STEM ASSEMBLY. SECURE THE THREADED END OF THE STEM TO THE LAMP COMPARTMENT.
- 3) PASS INCOMING WIRE LEADS FROM J-BOX THROUGH WIRE WAY, AS SHOWN. SECURE MOUNTING PLATE TO CEILING. MAKE SURE MOUNTING IS INDEPENDENT OF J-BOX. (MEANS OF MOUNTING AND MOUNTING HARDWARE BY OTHERS).
- 4) SLIP CANOPY OVER STEM ASSEMBLY. HANG STEM TO THE MOUNTING BRACKET. MAKE ALL WIRE CONNECTIONS.
- 5) SLIDE CANOPY UP. TURN TO LOCK IT INTO THE MOUNTING BRACKET.
- 6) INSTALLATION COMPLETE.

LAMP INSTALLATION STEPS:

- 1) LOOSEN S/S CAP SCREW AND OPEN FIXTURE.
- 2) INSTALL LAMP.
- 3) CLOSE FIXTURE AND SECURE CAP SCREW.
- 4) INSTALLATION COMPLETE.



POST TOP ARM MOUNTING (ATP)



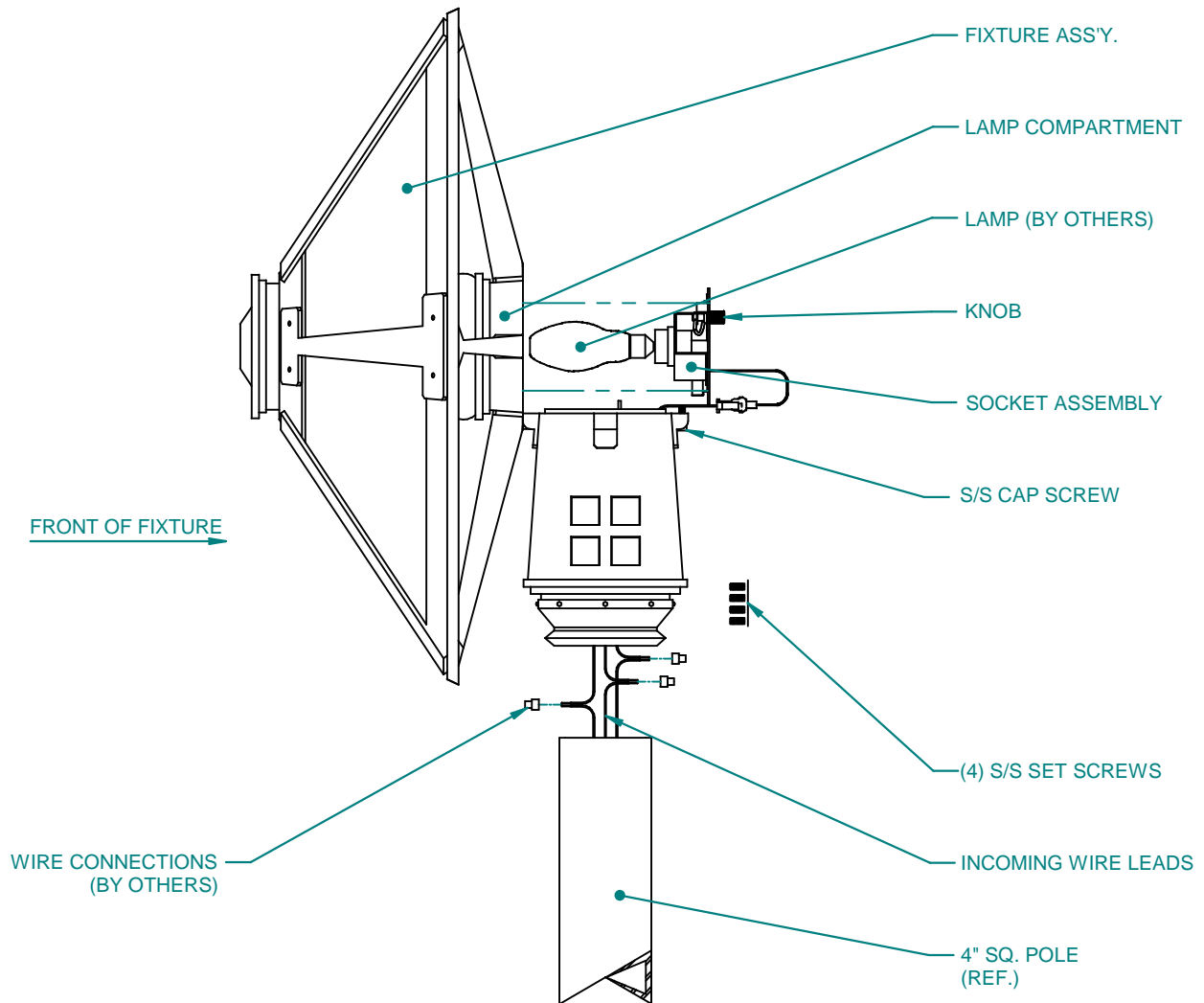
FIXTURE INSTALLATION STEPS:

- 1) TURN POWER OFF.
- 2) PULL INCOMING WIRE LEADS THROUGH WIRE WAY AND SECURE ARM ASS'Y TO POLE WITH (2) 3/8-16 HEX BOLTS AND LOCK WASHERS.
- 3) PLACE FIXTURE ASS'Y. ONTO ARM ASS'Y AS SHOWN AND SECURE WITH (4) S/S SET SCREWS.
- 4) PULL WIRE LEADS FROM FIXTURE THROUGH ARM ASS'Y AND MAKE WIRE CONNECTIONS FROM INCOMING SUPPLY TO FIXTURE ASS'Y.
- 5) SECURE INSPECTION COVER WITH (2) S/S SET SCREWS.
- 6) INSTALLATION COMPLETE.

LAMP INSTALLATION STEPS:

- 1) LOOSEN S/S CAP SCREW AND OPEN FIXTURE. TWIST KNOB COUNTER CLOCKWISE AND LIFT OUT TO ALLOW ACCESS TO LAMP COMPARTMENT.
- 2) INSTALL LAMP AND PLACE SOCKET ASSEMBLY BACK INTO LAMP COMPARTMENT, TWIST KNOB CLOCKWISE UNTIL SECURE.
- 3) CLOSE FIXTURE AND SECURE CAP SCREW.
- 4) INSTALLATION COMPLETE.

POST TOP MOUNTING (PT)



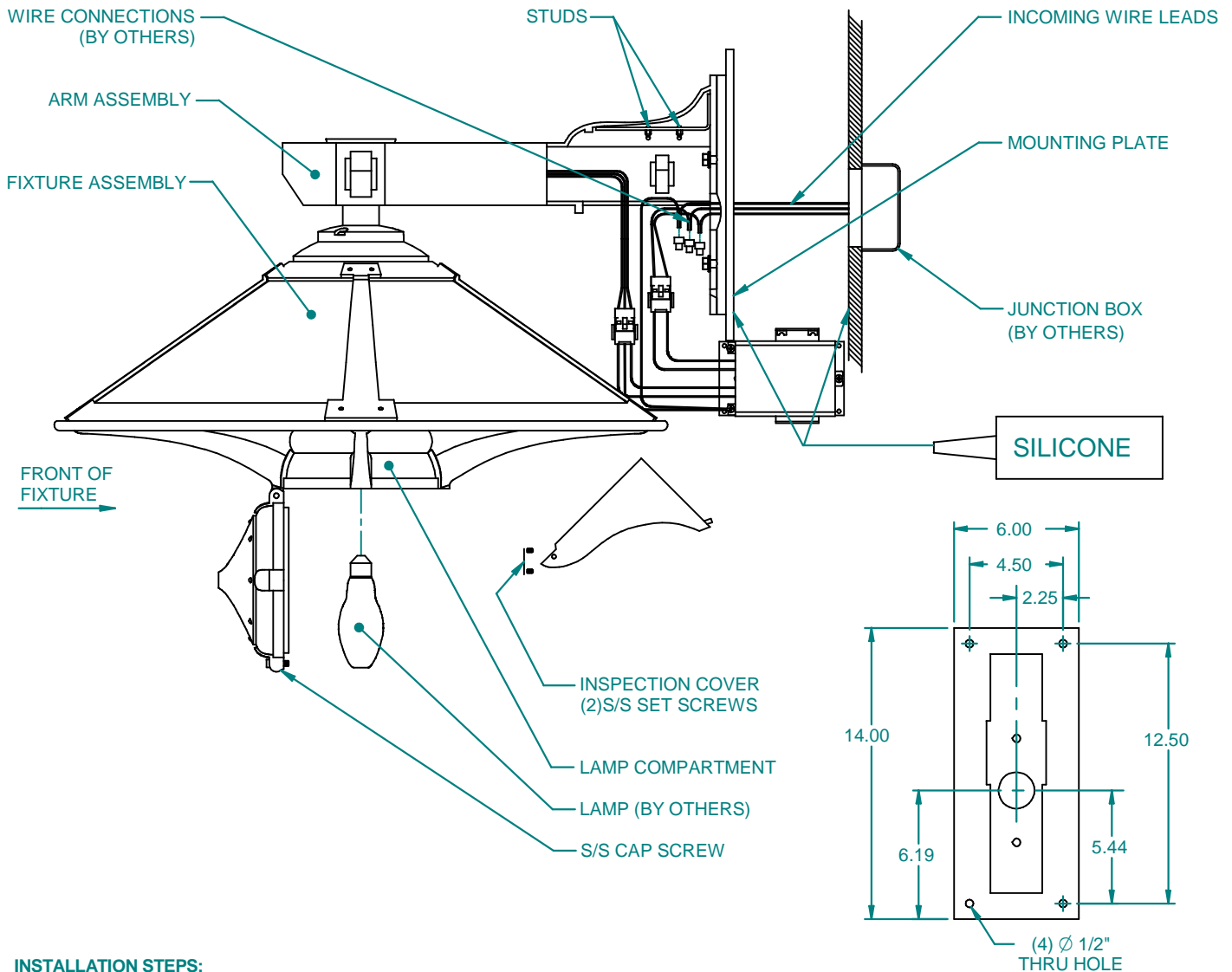
FIXTURE INSTALLATION STEPS:

- 1) TURN POWER OFF.
- 2) MAKE WIRE CONNECTION FROM FIXTURE TO POLE.
- 3) SLIP FIXTURE OVER POLE. ALIGN AND SECURE FIXTURE TO POLE WITH (4) S/S SET SCREWS.
- 4) INSTALLATION COMPLETE.

LAMP INSTALLATION STEPS:

- 1) LOOSEN S/S CAP SCREW AND OPEN FIXTURE. TWIST KNOB COUNTER CLOCKWISE AND LIFT OUT TO ALLOW ACCESS TO LAMP COMPARTMENT.
- 2) INSTALL LAMP AND PLACE SOCKET ASSEMBLY BACK INTO LAMP COMPARTMENT, TWIST KNOB CLOCKWISE UNTIL SECURE.
- 3) CLOSE FIXTURE AND SECURE CAP SCREW.
- 4) INSTALLATION COMPLETE.

WALL MOUNTED SUSPENDED FROM ARM (WMBL)



INSTALLATION STEPS:

- 1) TURN POWER OFF.
- 2) PULL INCOMING WIRE LEADS THROUGH WIRE WAY AND SECURE ARM ASS'Y TO MOUNTING SURFACE. (NOT FOR J-BOX MOUNTING HARDWARE BY OTHERS)
- 3) MAKE WIRE CONNECTIONS FROM INCOMING SUPPLY TO BALLAST.
- 4) ALIGN STUDS WITH TOP OF BALLAST BRACKET AND PLACE ALL WIRING AND BALLAST INTO ARM ASSEMBLY.
- 5) SECURE INSPECTION COVER WITH (2) S/S SET SCREWS.
- 6) SILICONE ALL AROUND BACK PLATE MOUNTING SURFACE, AS SHOWN.
- 7) INSTALLATION COMPLETE.

LAMP INSTALLATION STEPS:

- 1) LOOSEN S/S CAP SCREW AND OPEN FIXTURE TO ALLOW ACCESS LAMP COMPARTMENT.
- 2) INSTALL LAMP.
- 3) CLOSE FIXTURE AND SECURE CAP SCREW.
- 4) INSTALLATION COMPLETE.

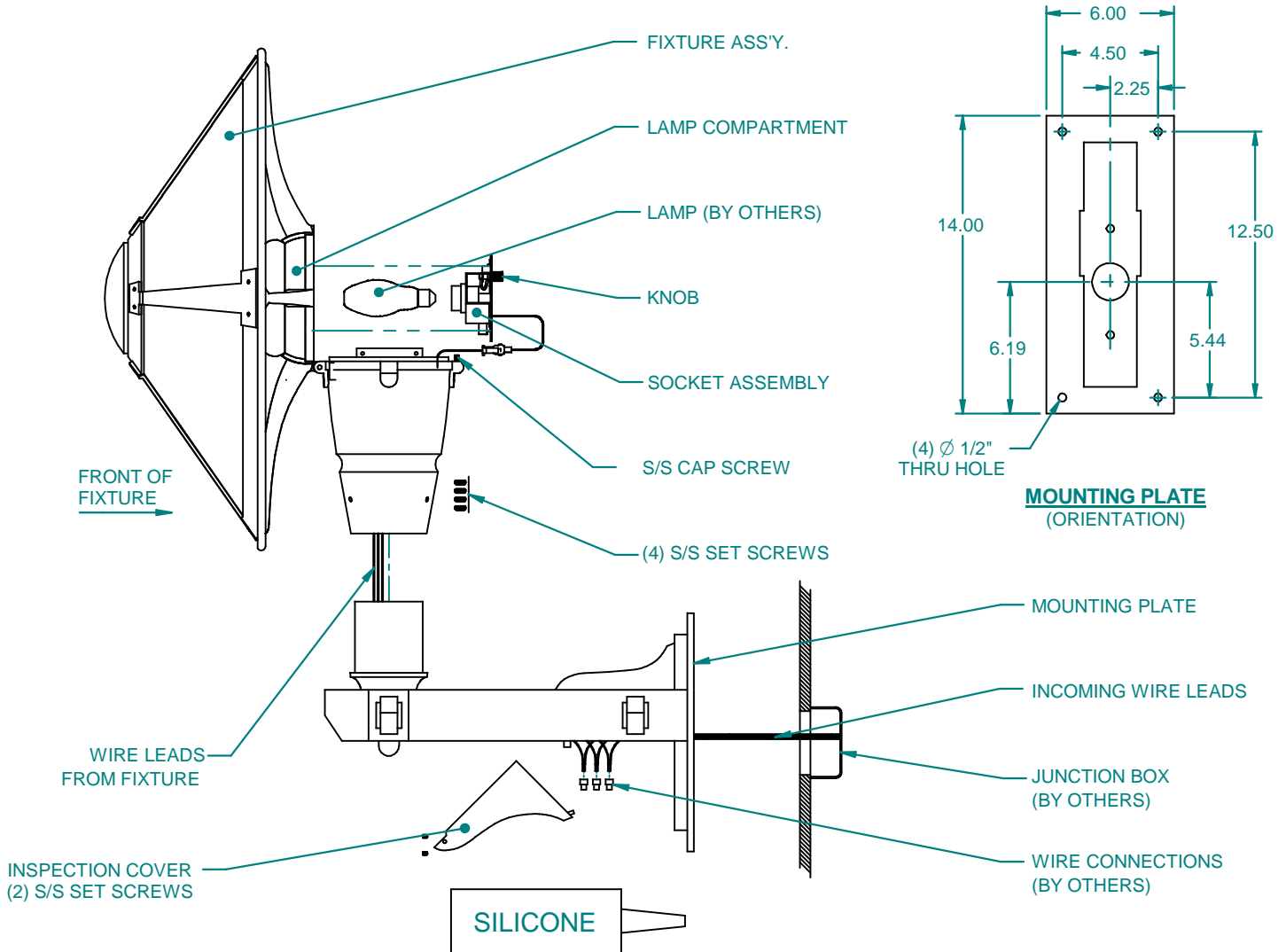
MOUNTING PLATE (ORIENTATION)

INSTALLATION INSTRUCTIONS

CATALOG NUMBER

ACRD - WMTP

WALL MOUNTED TOP OF ARM (WMTP)



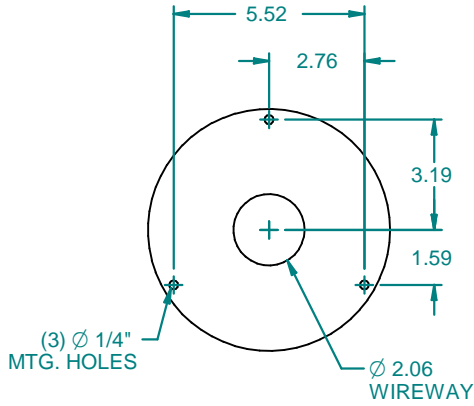
FIXTURE INSTALLATION STEPS:

- 1) TURN POWER OFF.
- 2) PULL INCOMING WIRE LEADS THROUGH WIRE WAY AND SECURE ARM ASS'Y TO MOUNTING SURFACE . (NOT FOR J-BOX MOUNTING. MOUNTING HARDWARE BY OTHERS).
- 3) PLACE FIXTURE ASS'Y. ONTO ARM ASS'Y AS SHOWN AND SECURE WITH (4) S/S SET SCREWS.
- 4) PULL WIRE LEADS FROM FIXTURE THROUGH ARM ASS'Y AND MAKE WIRE MAKE WIRE CONNECTIONS FROM INCOMING SUPPLY TO FIXTURE ASS'Y.
- 5) SECURE INSPECTION COVER WITH (2) S/S SET SCREWS.
- 6) SILICONE ALL AROUND BACK PLATE AND MOUNTING SURFACE AS SHOWN.
- 7) INSTALLATION COMPLETE.

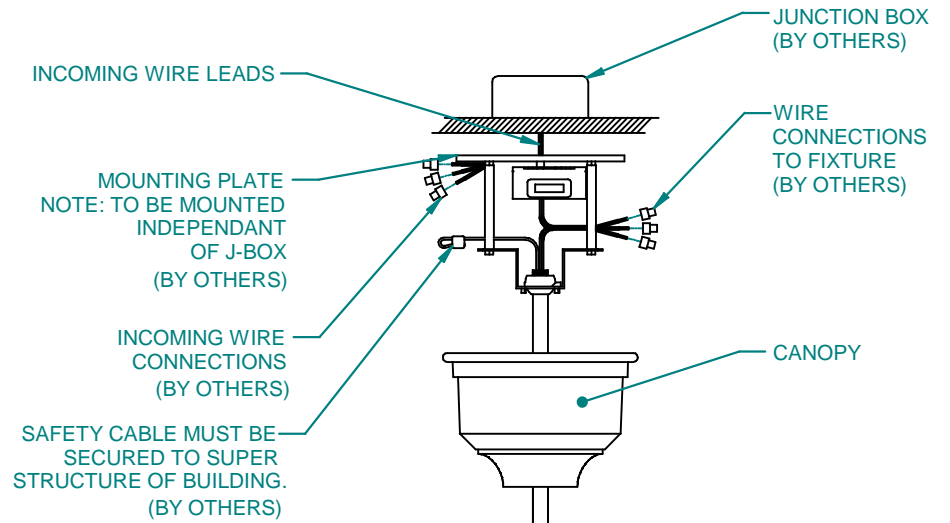
LAMP INSTALLATION STEPS:

- 1) LOOSEN S/S CAP SCREW AND OPEN FIXTURE. TWIST KNOB COUNTER CLOCKWISE AND LIFT OUT TO ALLOW ACCESS TO LAMP COMPARTMENT.
- 2) INSTALL LAMP AND PLACE SOCKET ASSEMBLY BACK INTO LAMP COMPARTMENT, TWIST KNOB CLOCKWISE UNTIL SECURE.
- 3) CLOSE FIXTURE AND SECURE CAP SCREW.
- 4) INSTALLATION COMPLETE.

PENDANT WITH STEM MOUNTING (PND)



MOUNTING PLATE
(ORIENTATION)

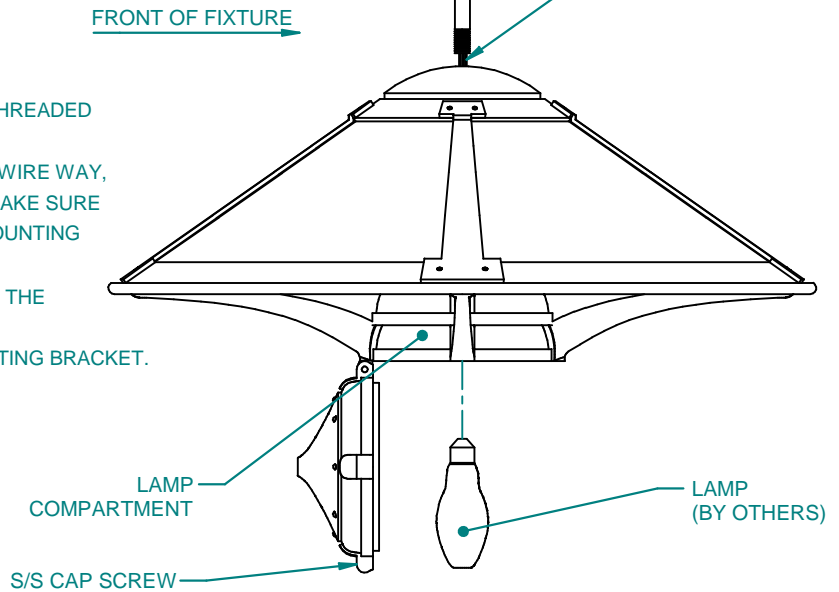


FIXTURE INSTALLATION STEPS:

- 1) TURN OFF ALL POWER.
- 2) RUN WIRE LEADS AND SAFETY CABLE FROM FIXTURE THROUGH STEM ASSEMBLY. SECURE THE THREADED END OF THE STEM TO THE LAMP COMPARTMENT.
- 3) PASS INCOMING WIRE LEADS FROM J-BOX THROUGH WIRE WAY, AS SHOWN. SECURE MOUNTING PLATE TO CEILING. MAKE SURE MOUNTING IS INDEPENDENT OF J-BOX. (MEANS OF MOUNTING AND MOUNTING HARDWARE BY OTHERS).
- 4) SLIP CANOPY OVER STEM ASSEMBLY. HANG STEM TO THE MOUNTING BRACKET. MAKE ALL WIRE CONNECTIONS.
- 5) SLIDE CANOPY UP. TURN TO LOCK IT INTO THE MOUNTING BRACKET.
- 6) INSTALLATION COMPLETE.

LAMP INSTALLATION STEPS:

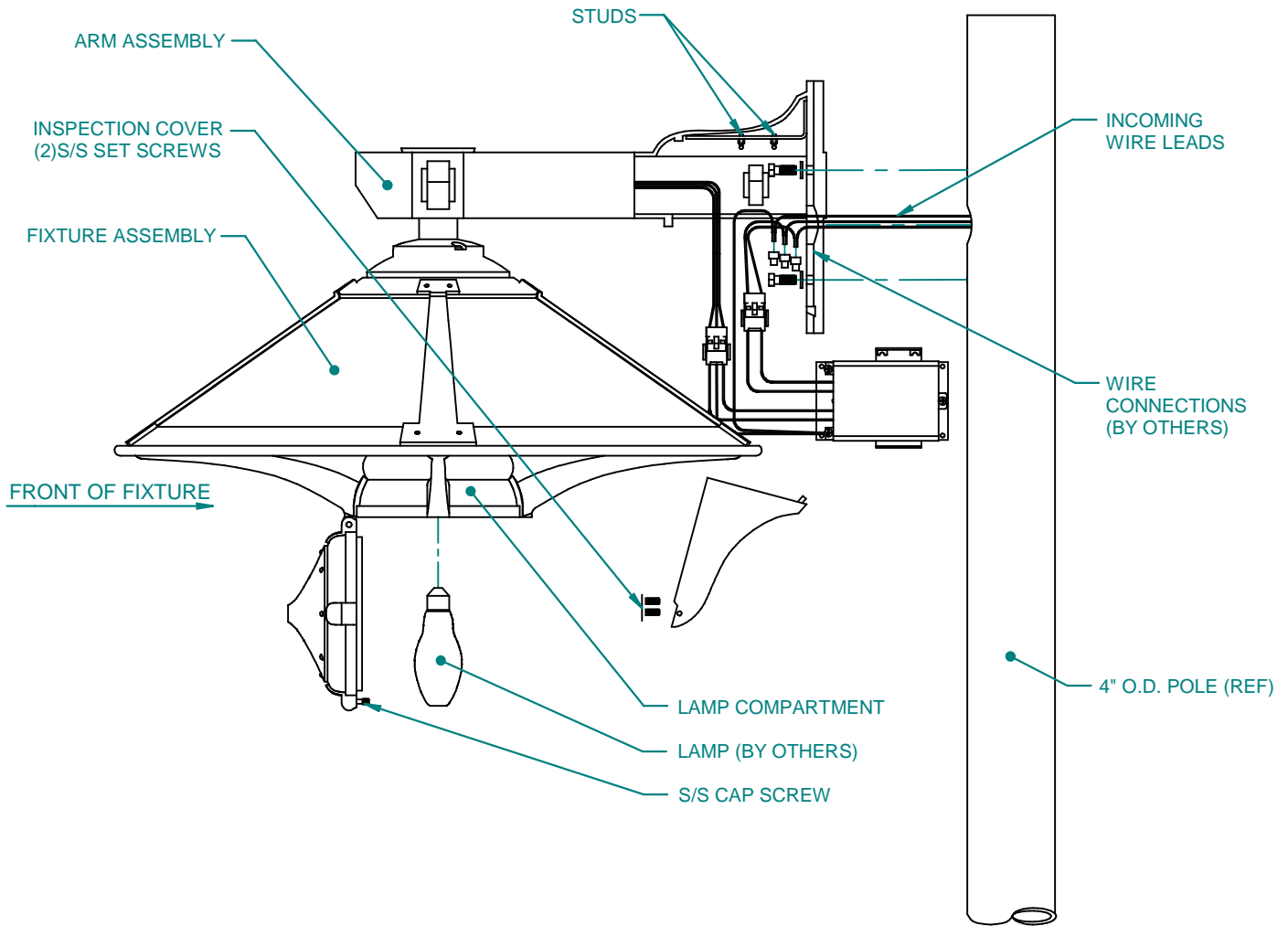
- 1) LOOSEN S/S CAP SCREW AND OPEN FIXTURE.
- 2) INSTALL LAMP.
- 3) CLOSE FIXTURE AND SECURE CAP SCREW.
- 4) INSTALLATION COMPLETE.



INSTALLATION INSTRUCTIONS

CATALOG NUMBER
ACRD - ABL

SUSPENDED FROM ARM (ABL)



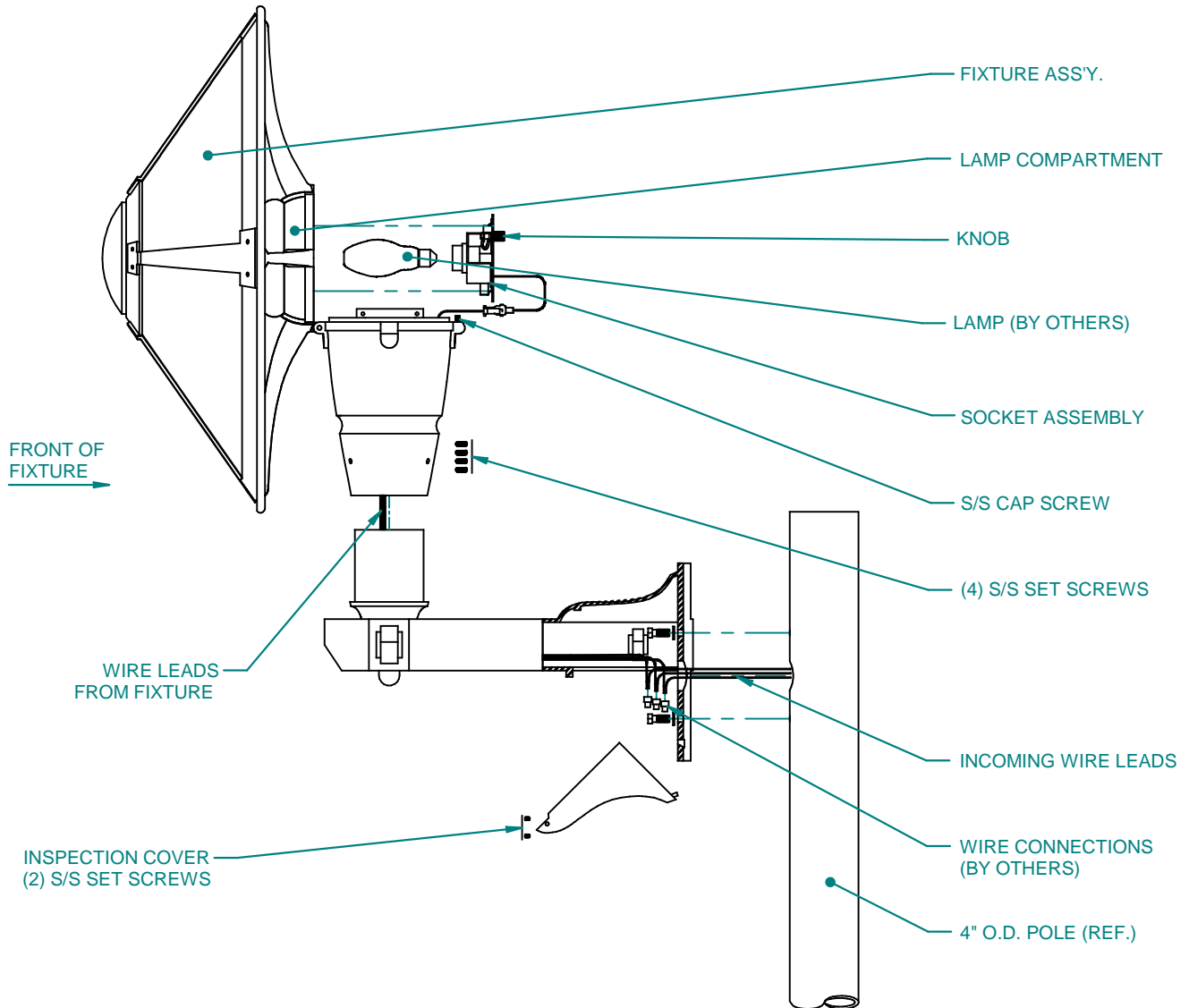
FIXTURE INSTALLATION STEPS:

- 1) TURN POWER OFF.
- 2) PULL INCOMING WIRE LEADS THROUGH WIRE WAY AND SECURE ARM ASS'Y TO POLE WITH (2) 3/8-16 HEX BOLTS AND LOCK WASHERS.
- 3) MAKE WIRE CONNECTIONS FROM INCOMING SUPPLY TO BALLAST.
- 4) ALIGN STUDS WITH TOP OF BALLAST BRACKET AND PLACE ALL WIRING AND BALLAST INTO ARM ASSEMBLY.
- 5) SECURE INSPECTION COVER WITH (2) S/S SET SCREWS.
- 6) INSTALLATION COMPLETE.

LAMP INSTALLATION STEPS:

- 1) LOOSEN S/S CAP SCREW AND OPEN FIXTURE.
- 2) INSTALL LAMP.
- 3) CLOSE FIXTURE AND SECURE CAP SCREW.
- 4) INSTALLATION COMPLETE.

POST TOP ARM MOUNTING (ATP)



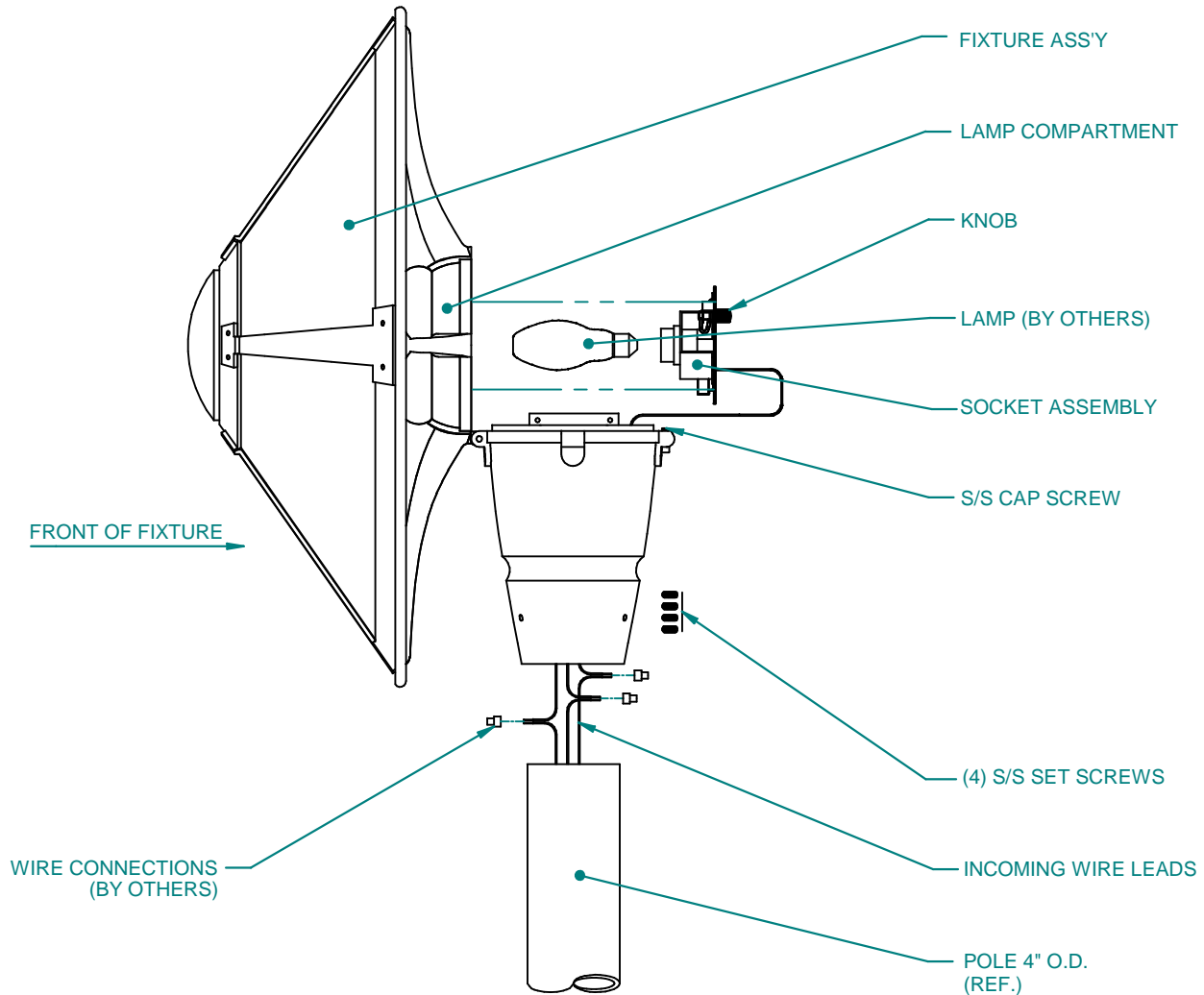
FIXTURE INSTALLATION STEPS:

- 1) TURN POWER OFF.
- 2) PULL INCOMING WIRE LEADS THROUGH WIRE WAY AND SECURE ARM ASS'Y TO POLE WITH (2) 3/8-16 HEX BOLTS AND LOCK WASHERS.
- 3) PLACE FIXTURE ASS'Y. ONTO ARM ASS'Y AS SHOWN AND SECURE WITH (4) S/S SET SCREWS.
- 4) PULL WIRE LEADS FROM FIXTURE THROUGH ARM ASS'Y AND MAKE WIRE CONNECTIONS FROM INCOMING SUPPLY TO FIXTURE ASS'Y.
- 5) SECURE INSPECTION COVER WITH (2) S/S SET SCREWS.
- 6) INSTALLATION COMPLETE.

LAMP INSTALLATION STEPS:

- 1) LOOSEN S/S CAP SCREW AND OPEN FIXTURE. TWIST KNOB COUNTER CLOCKWISE AND LIFT OUT TO ALLOW ACCESS TO LAMP COMPARTMENT.
- 2) INSTALL LAMP AND PLACE SOCKET ASSEMBLY BACK INTO LAMP COMPARTMENT, TWIST KNOB CLOCKWISE UNTIL SECURE.
- 3) CLOSE FIXTURE AND SECURE CAP SCREW.
- 4) INSTALLATION COMPLETE.

POST TOP MOUNTING (PT)



FIXTURE INSTALLATION STEPS:

- 1) TURN POWER OFF.
- 2) MAKE WIRE CONNECTION FROM FIXTURE TO POLE.
- 3) SLIP FIXTURE OVER POLE. ALIGN AND SECURE FIXTURE TO POLE WITH (4) S/S SET SCREWS.
- 4) INSTALLATION COMPLETE.

LAMP INSTALLATION STEPS:

- 1) LOOSEN S/S CAP SCREW AND OPEN FIXTURE. TURN KNOB COUNTER-CLOCKWISE AND PULL TO ALLOW ACCESS TO LAMP COMPARTMENT.
- 2) INSTALL LAMP AND PLACE SOCKET ASSEMBLY BACK INTO LAMP COMPARTMENT.
- 3) PLACE SOCKET ASSEMBLY BACK INTO LAMP COMPARTMENT AND TURN KNOB CLOCKWISE UNTIL SECURE.
- 4) CLOSE FIXTURE AND SECURE CAP SCREW.
- 5) INSTALLATION COMPLETE.