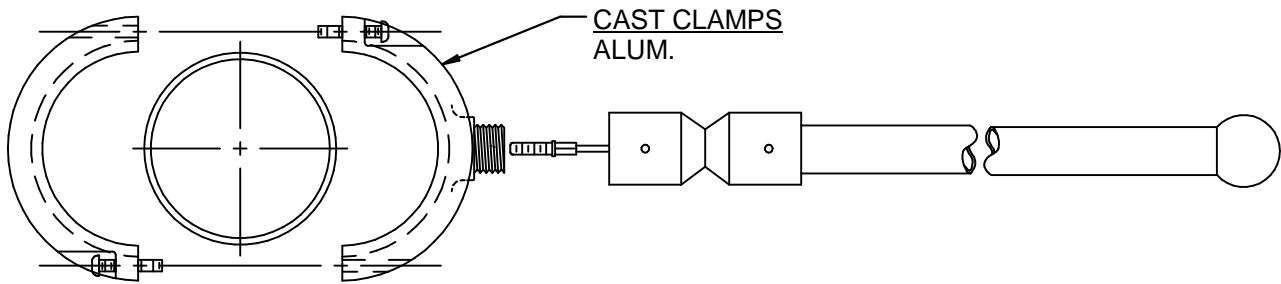


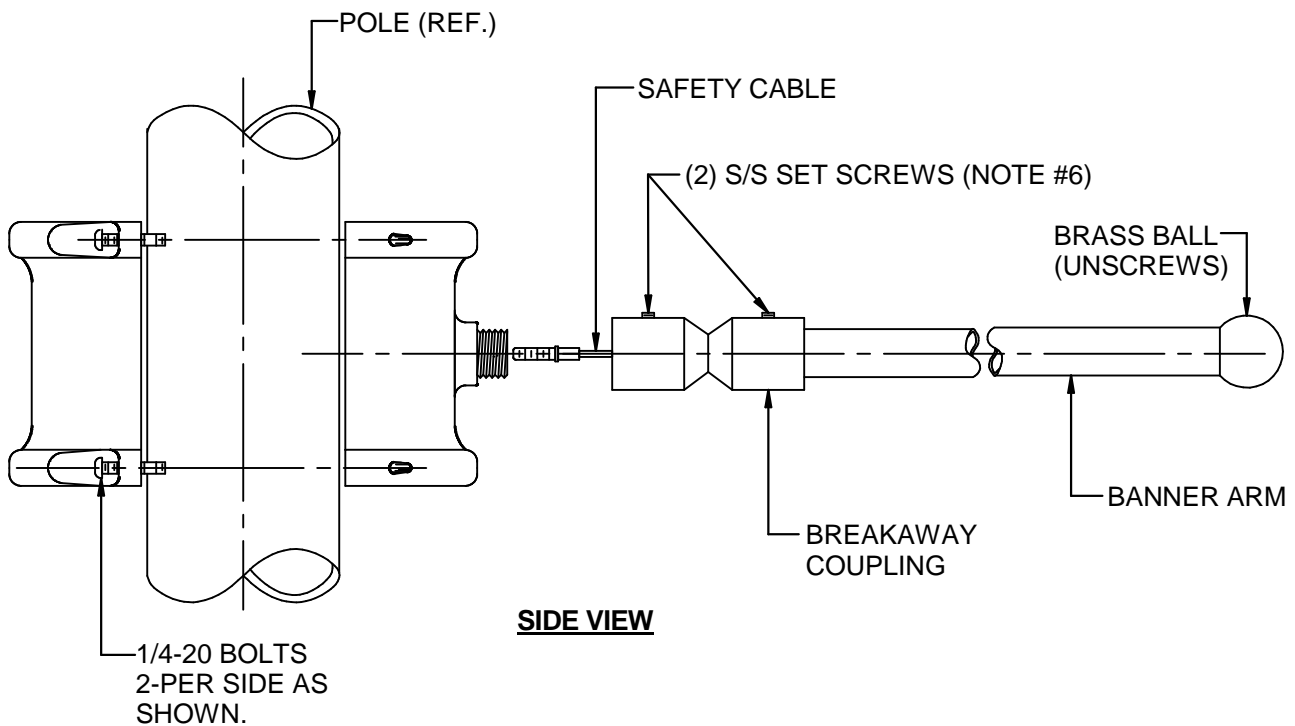
INSTALLATION INSTRUCTIONS

CATALOG NUMBER

BBS4-BBS5



TOP VIEW

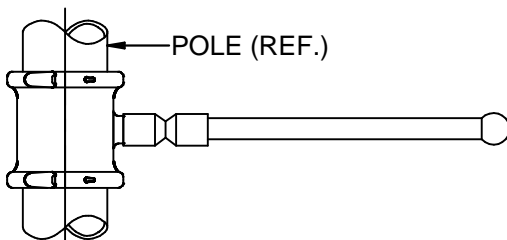


SIDE VIEW

INSTALLATION STEPS:

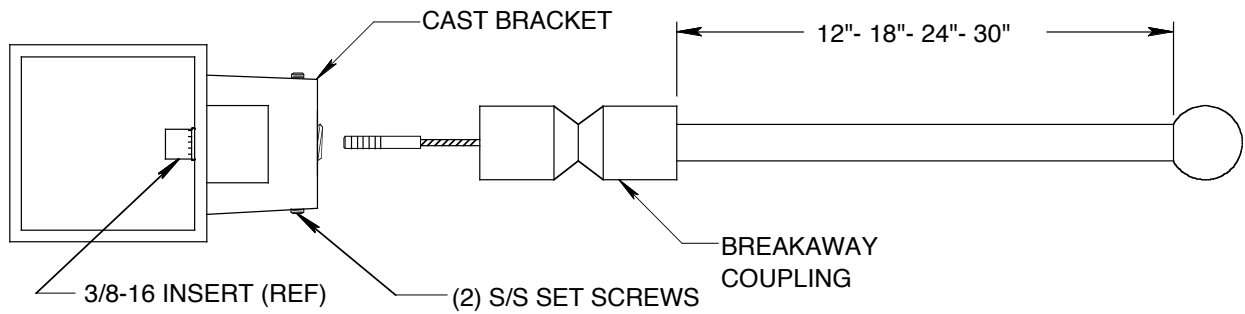
- 1) PLACE CLAMPS ON POLE AS SHOWN, POSITION AS REQUIRED.
- 2) SECURE CLAMPS TOGETHER WITH (4) BUTTON HEAD BOLTS.
- 3) UNSCREW BRASS BALL TO INSTALL BANNER AS INDICATED.
- 4) SCREW END OF SAFETY CABLE INTO CLAMP AS SHOWN.
- 5) SCREW BANNER ARM ASS'Y ONTO THREADED BOSS ON CLAMP.
- 6) **INSTALLATION IS COMPLETE.**

FINAL ASSEMBLY

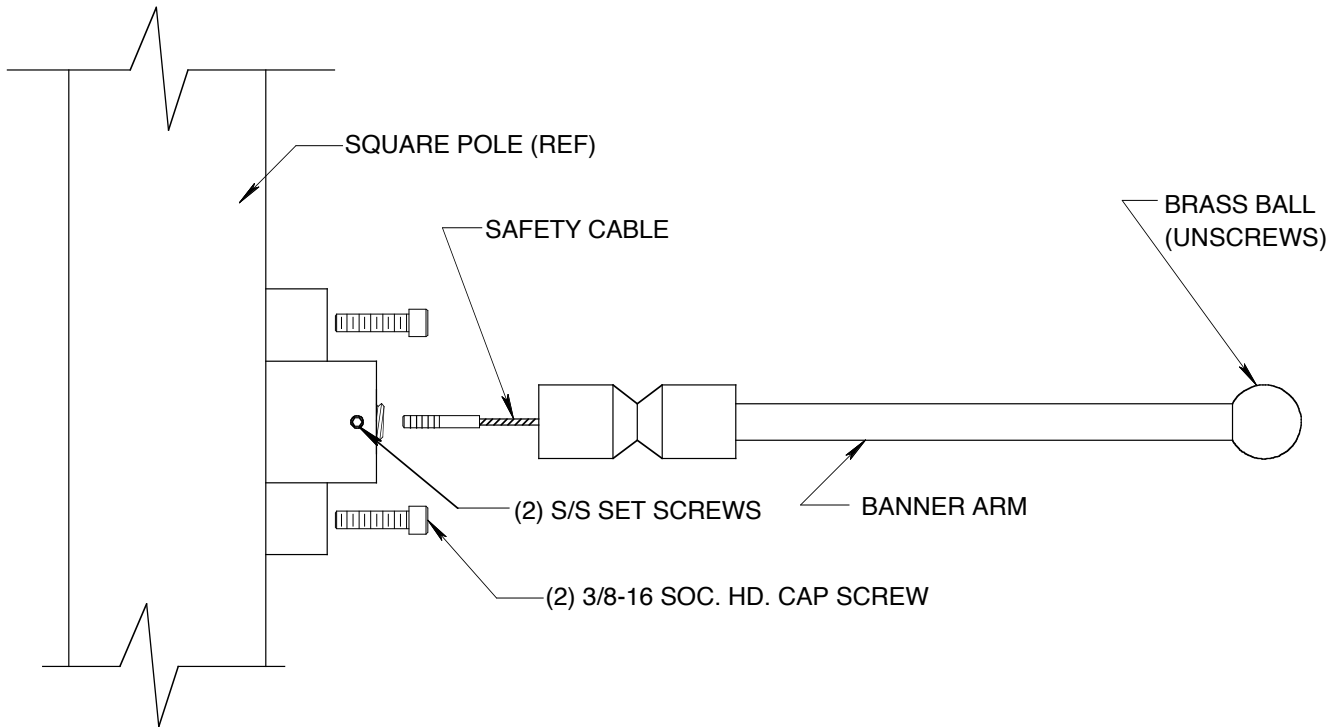


SIDE VIEW

INSTALLATION INSTRUCTIONS



TOP VIEW



SIDE VIEW

INSTALLATION STEPS:

1. PLACE CAST BRACKET ON POLE AS SHOWN, POSITION WITH PRE DRILLED HOLES
2. SECURE BRACKET WITH (2) 3/8-16 SOC. HD. CAP SCREWS (PROVIDED)
3. UNSCREW BRASS BALL TO INSTALL BANNER AS INDICATED
4. SCREW END OF SAFETY CABLE INTO BRACKET AS SHOWN
5. SCREW BANNER ARM ASSEMBLY ONTO THREADED STUD
6. RE-INSTALL BRASS BALL
7. TIGHTEN (2) SET SCREWS AS NOTED
8. INSTALLATION COMPLETED

ARCHITECTURAL AREA LIGHTING INC.

14249 ARTESIA BLVD. LA MIRADA, CA. 90638

PH. (714) 994-2700 FAX (714)994-5200

CATALOG NUMBER

BSQ - SERIES

PART NO.

A96396

DATE

APPRVD

DATE

REV

THIS DRAWING IS THE PROPERTY OF ARCHITECTURAL AREA LIGHTING INC. AND IS TRANSMITTED IN CONFIDENCE. NEITHER RECEIPT NOR POSSESSION CONFERS OR TRANSFERS ANY RIGHTS TO REPRODUCE, USE OR DISCLOSE, IN WHOLE OR IN PART DATA CONTAINED HEREIN FOR ANY PURPOSE, WITHOUT THE WRITTEN PERMISSION OF ARCH. AREA LIGHTING INC. DUE TO CONTINUING PRODUCT IMPROVEMENT EFFORTS ARCH. AREA LIGHTING INC. RESERVES THE RIGHT TO CHANGE MANUFACTURING PROCESSES WITHOUT NOTICE.