

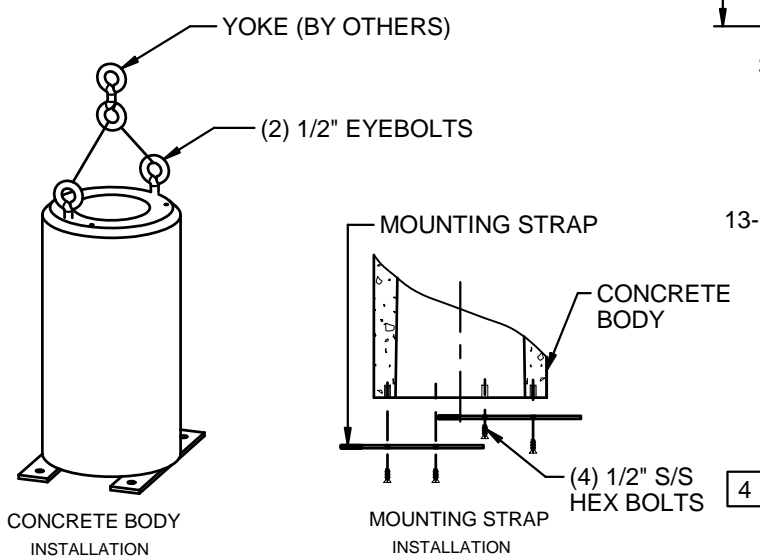
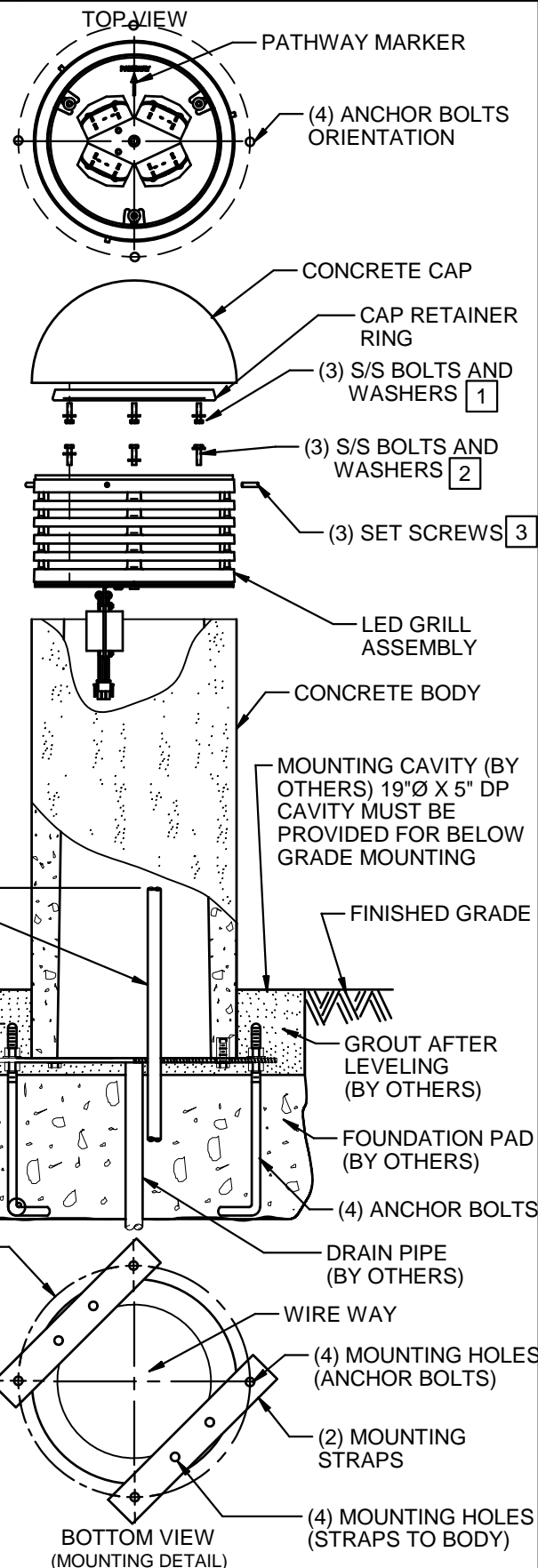
INSTALLATION INSTRUCTIONS CB12R-LED-HORZ/CO-EXT

INSTALLATION STEPS:

1. Lay concrete body on its side and install (2) mounting straps to bottom of body with (4) 1/2-13X1 S/S bolts #[4].
2. Install conduit as required. Drain pipe must extend above bottom of foundation pad, leveling nuts and washers.
3. Attach yoke to (2) 1/2" eyebolts and lift concrete body onto the anchor bolts as shown below. Secure concrete body to anchor bolts. Level body as needed and remove and discard eyebolts prior to installing LED grill assembly.

IMPORTANT! For best result in lighting pathway, the anchor bolts orientation needs to be installed as shown in "Top View". Pathway marker in grill assembly plate needs to be pointed toward area of lighting.

4. Make wire connections to the incoming supply. **NOTE: ASSEMBLY MUST BE GROUNDED TO THE INCOMING EQUIPMENT GROUND SUPPLY.**
5. Place LED grill assembly onto top of concrete body and secure in place with (3) 1/4-20X3/4 screws and washers #[2].
6. Secure cap retainer ring to concrete cap with (3) 1/4-20X3/4 screws and washer #[1].
7. Place concrete cap over grill, secure with (3) 1/4-20X1/2 SET screws #[3] with 3-32 Allen wrench. **NOTE: DO NOT OVER TIGHTEN SET SCREWS.**
8. Installation complete.
9. Turn on power and check for operation.



INSTALLATION INSTRUCTIONS

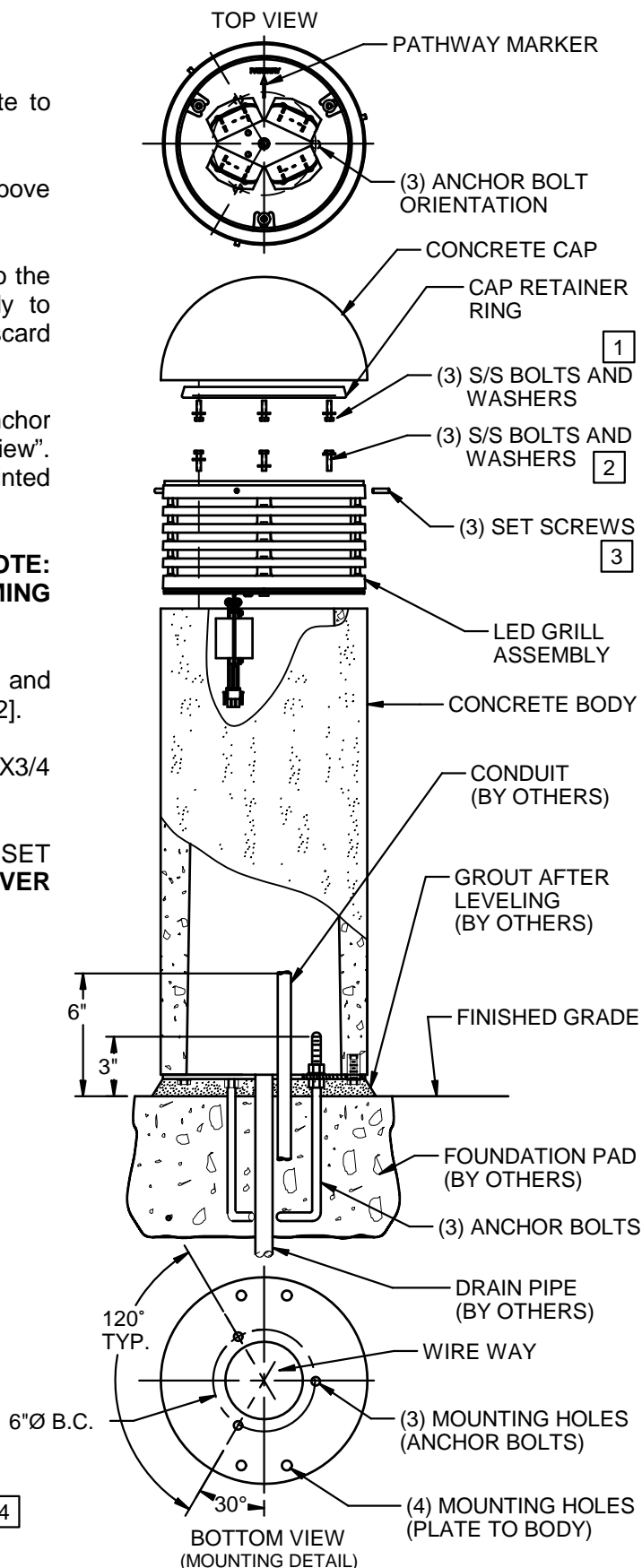
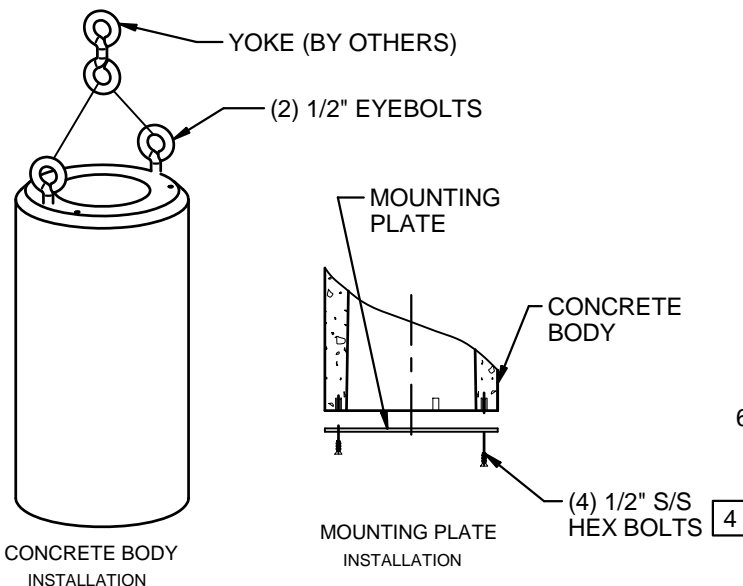
CB12R-LED-HORZ/CO-INT

INSTALLATION STEPS:

1. Lay concrete body on its side and install mounting plate to bottom of body with (4) 1/2-13X1 S/S bolts #[4].
2. Install conduit as required. Drain pipe must extend above bottom of foundation pad, leveling nuts and washers.
3. Attach yoke to (2) 1/2" eyebolts and lift concrete body onto the anchor bolts as shown below. Secure concrete body to anchor bolts. Level body as needed and remove and discard eyebolts prior to installing LED grill assembly.

IMPORTANT! For best result in lighting pathway, the anchor bolt orientation needs to be installed as shown in "Top View". Pathway marker in grill assembly plate needs to be pointed toward area of lighting.

4. Make wire connections to the incoming supply. **NOTE: ASSEMBLY MUST BE GROUNDED TO THE INCOMING EQUIPMENT GROUND SUPPLY.**
5. Place LED grill assembly onto top of concrete body and secure in place with (3) 1/4-20X3/4 screws and washers #[2].
6. Secure cap retainer ring to concrete cap with (3) 1/4-20X3/4 screws and washer #[1].
7. Place concrete cap over grill, secure with (4) 1/4-20X1/2 SET screws #[3] with 3-32 Allen wrench. **NOTE: DO NOT OVER TIGHTEN SET SCREWS.**
8. Installation complete.
9. Turn on power and check for operation.

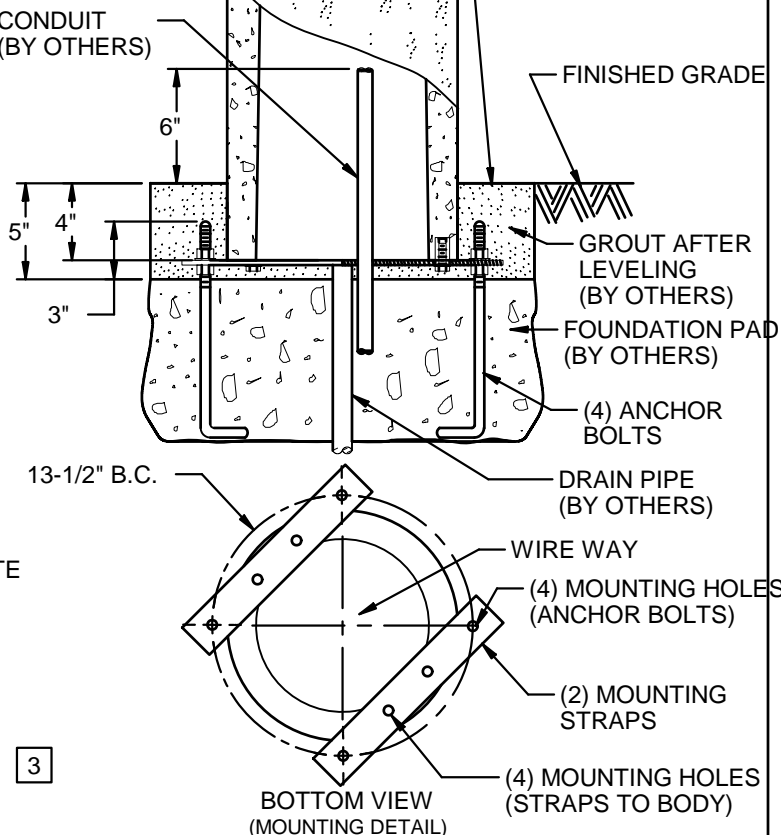
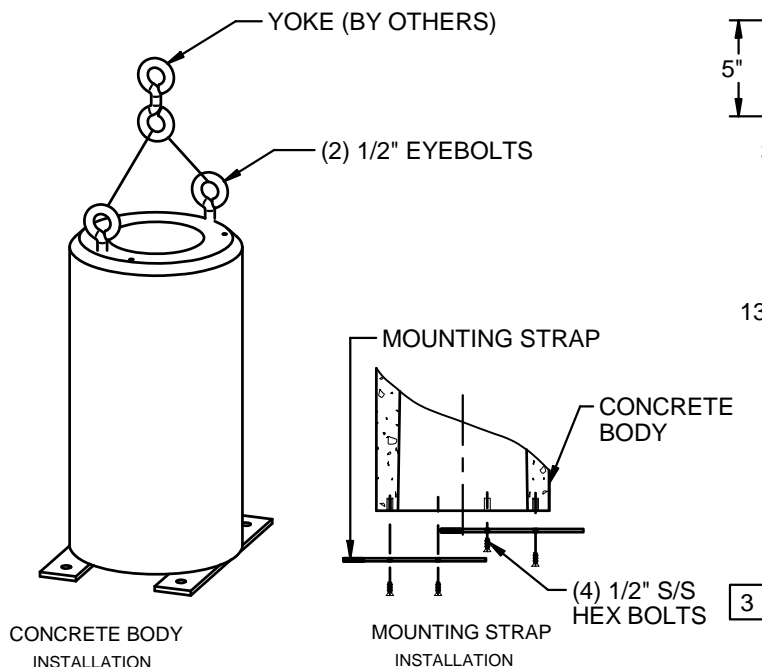
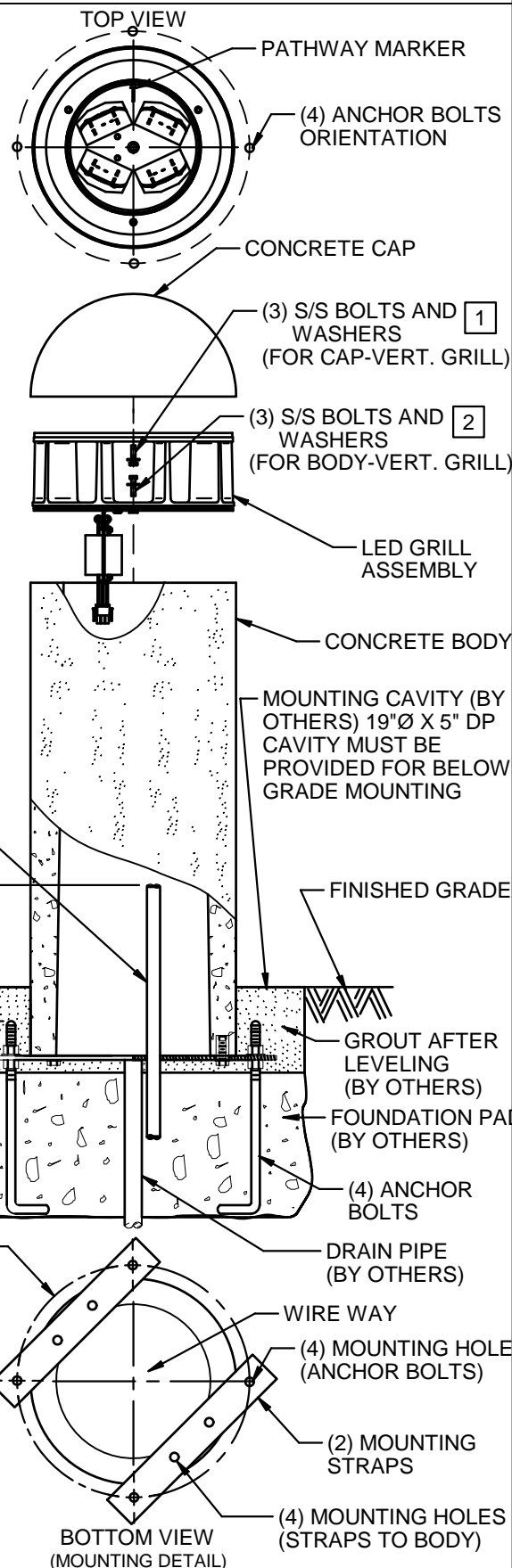


INSTALLATION INSTRUCTIONS

CB12R-LED-VERT-EXT

INSTALLATION STEPS:

1. Lay concrete body on its side and install (2) mounting straps to bottom of body with (4) 1/2-13X1 S/S bolts #[3].
 2. Install conduit as required. Drain pipe must extend above bottom of foundation pad, leveling nuts and washers.
 3. Attach yoke to (2) 1/2" eyebolts and lift concrete body onto the anchor bolts as shown below. Secure concrete body to anchor bolts. Level body as needed and remove and discard eyebolts prior to installing LED grill assembly.
- IMPORTANT!** For best result in lighting pathway, the anchor bolt orientation needs to be installed as shown in "Top View". Pathway marker in grill assembly plate needs to be pointed toward area of lighting.
4. Make wire connections to the incoming supply. **NOTE: ASSEMBLY MUST BE GROUNDED TO THE INCOMING EQUIPMENT GROUND SUPPLY.**
 5. Place LED grill assembly onto top of concrete body and secure in place with (3) 1/4-20X3/4 screws and washers #[2].
 6. Place concrete cap over grill and position mounting holes with inserts in cap. Secure with (3) 1/4-20X3/4 screws and washer #[1].
 7. Installation complete.
 8. Turn on power and check for operation.



INSTALLATION INSTRUCTIONS

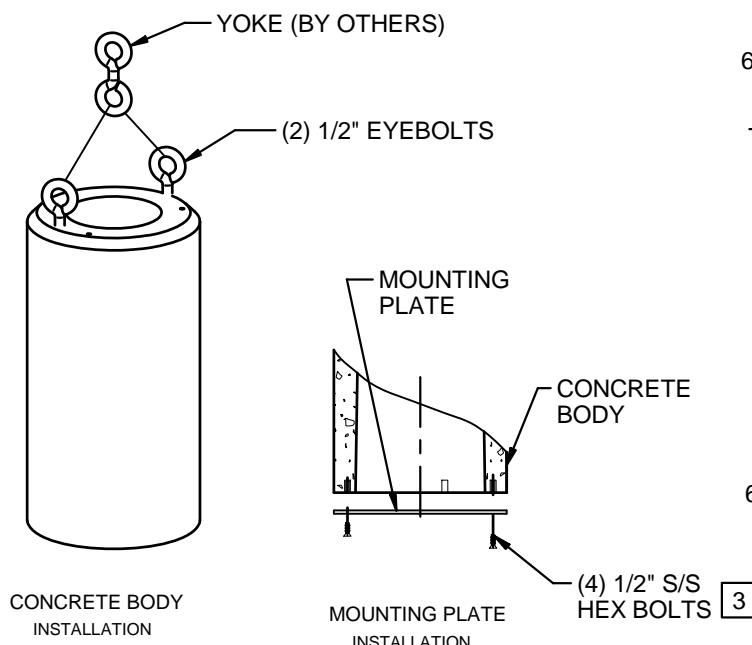
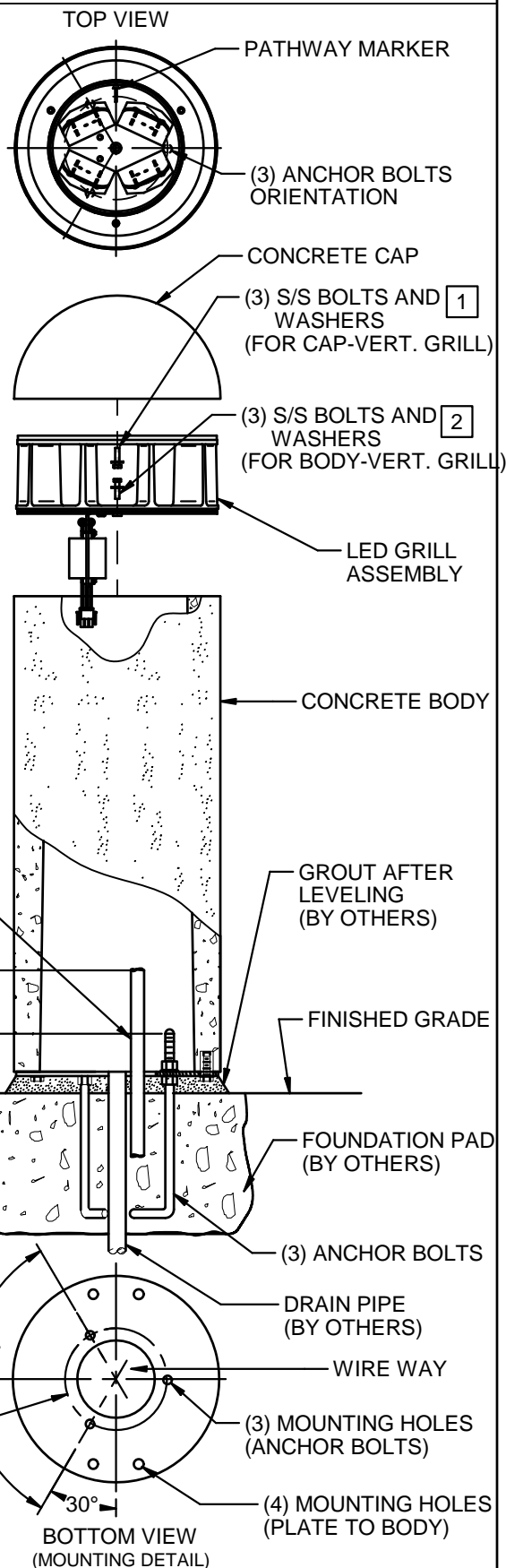
CB12R-LED-VERT-INT

INSTALLATION STEPS:

1. Lay concrete body on its side and install mounting plate to bottom of body with (4) 1/2-13X1 S/S bolts #[3].
2. Install conduit as required. Drain pipe must extend above bottom of foundation pad, leveling nuts and washers.
3. Attach yoke to (2) 1/2" eyebolts and lift concrete body onto the anchor bolts as shown below. Secure concrete body to anchor bolts. Level body as needed and remove and discard eyebolts prior to installing LED grill assembly.

IMPORTANT! For best result in lighting pathway, the anchor bolt orientation needs to be installed as shown in "Top View". Pathway marker in grill assembly plate needs to be pointed toward area of lighting.

4. Make wire connections to the incoming supply. **NOTE: ASSEMBLY MUST BE GROUNDED TO THE INCOMING EQUIPMENT GROUND SUPPLY.**
5. Place LED grill assembly onto top of concrete body and secure in place with (3) 1/4-20X3/4 screws and washers #[2].
6. Place concrete cap over grill and position mounting holes with inserts in cap. Secure with (3) 1/4-20X3/4 screws and washer #[1].
7. Installation complete.
8. Turn on power and check for operation.



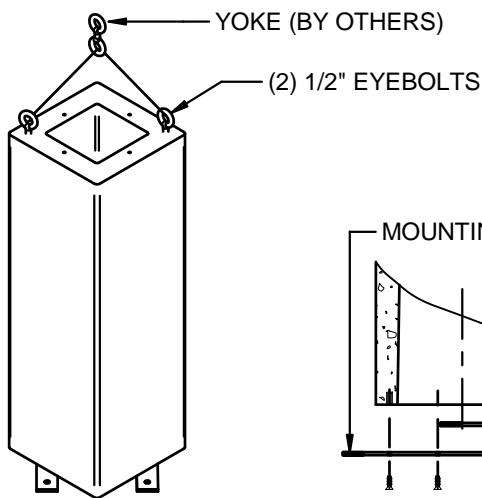
INSTALLATION INSTRUCTIONS CB12S-LED-HORZ/CO-EXT

INSTALLATION STEPS:

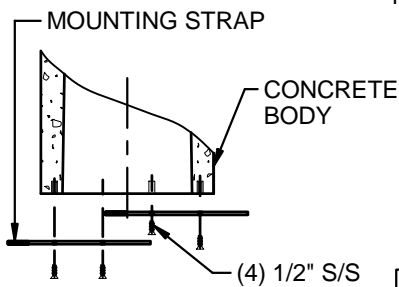
1. Lay concrete body on its side and install (2) mounting straps to bottom of body with (4) 1/2-13X1 S/S bolts #[4].
2. Install conduit as required. Drain pipe must extend above bottom of foundation pad, leveling nuts and washers.
3. Attach yoke to (2) 1/2" eyebolts and lift concrete body onto the anchor bolts as shown below. Secure concrete body to anchor bolts. Level body as needed and remove and discard eyebolts prior to installing LED grill assembly.

IMPORTANT! For best result in lighting pathway, the anchor bolt orientation needs to be installed as shown in "Top View". Pathway marker in grill assembly plate needs to be pointed toward area of lighting.

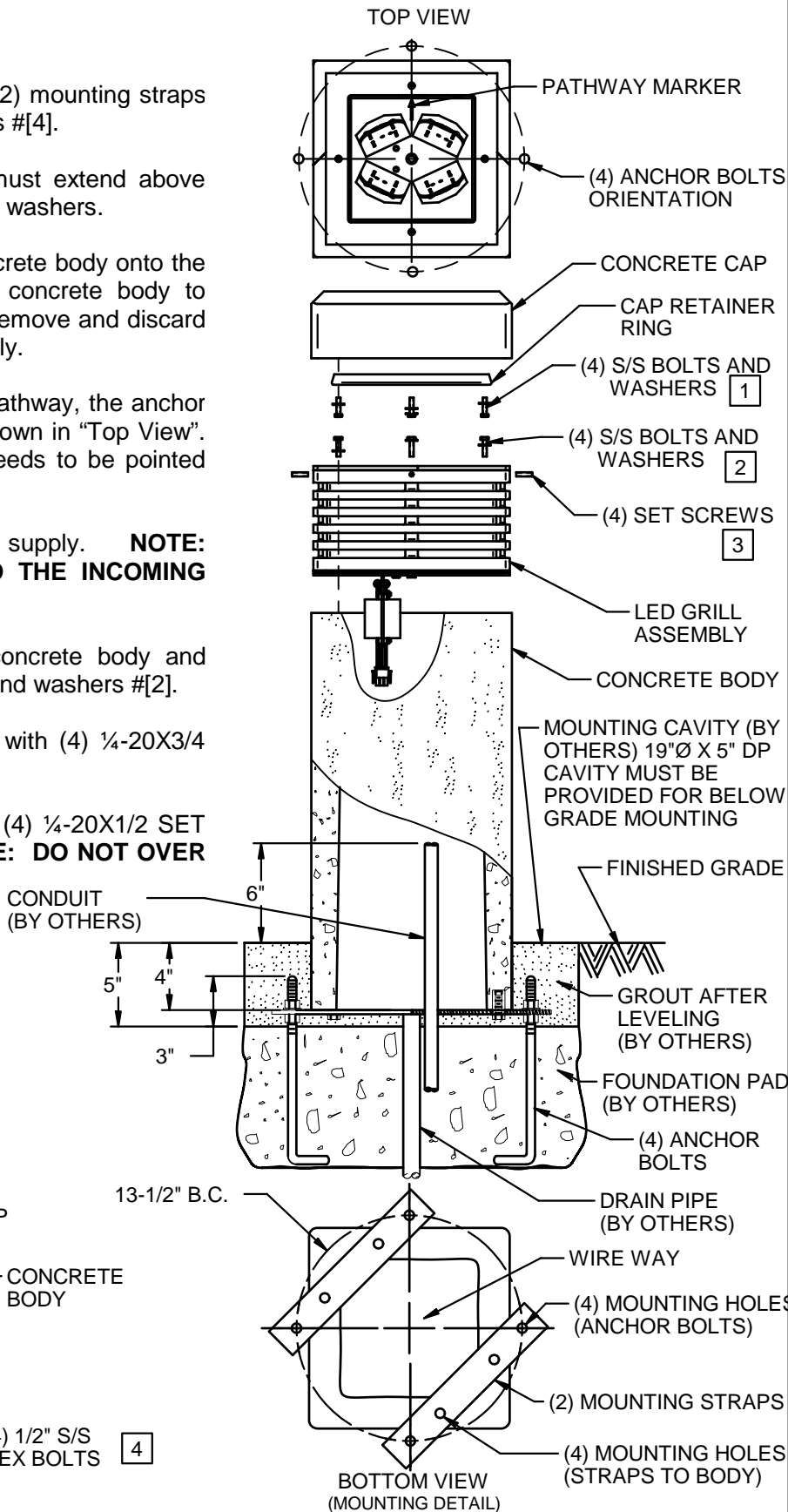
4. Make wire connections to the incoming supply. **NOTE: ASSEMBLY MUST BE GROUNDED TO THE INCOMING EQUIPMENT GROUND SUPPLY.**
5. Place LED grill assembly onto top of concrete body and secure in place with (4) 1/4-20X3/4 screws and washers #[2].
6. Secure cap retainer ring to concrete cap with (4) 1/4-20X3/4 screws and washer #[1].
7. Place concrete cap over grill, secure with (4) 1/4-20X1/2 SET screws #[3] with 3-32 Allen wrench. **NOTE: DO NOT OVER TIGHTEN SET SCREWS.**
8. Installation complete.
9. Turn on power and check for operation.



CONCRETE BODY INSTALLATION



MOUNTING STRAP INSTALLATION



BOTTOM VIEW (MOUNTING DETAIL)

INSTALLATION INSTRUCTIONS

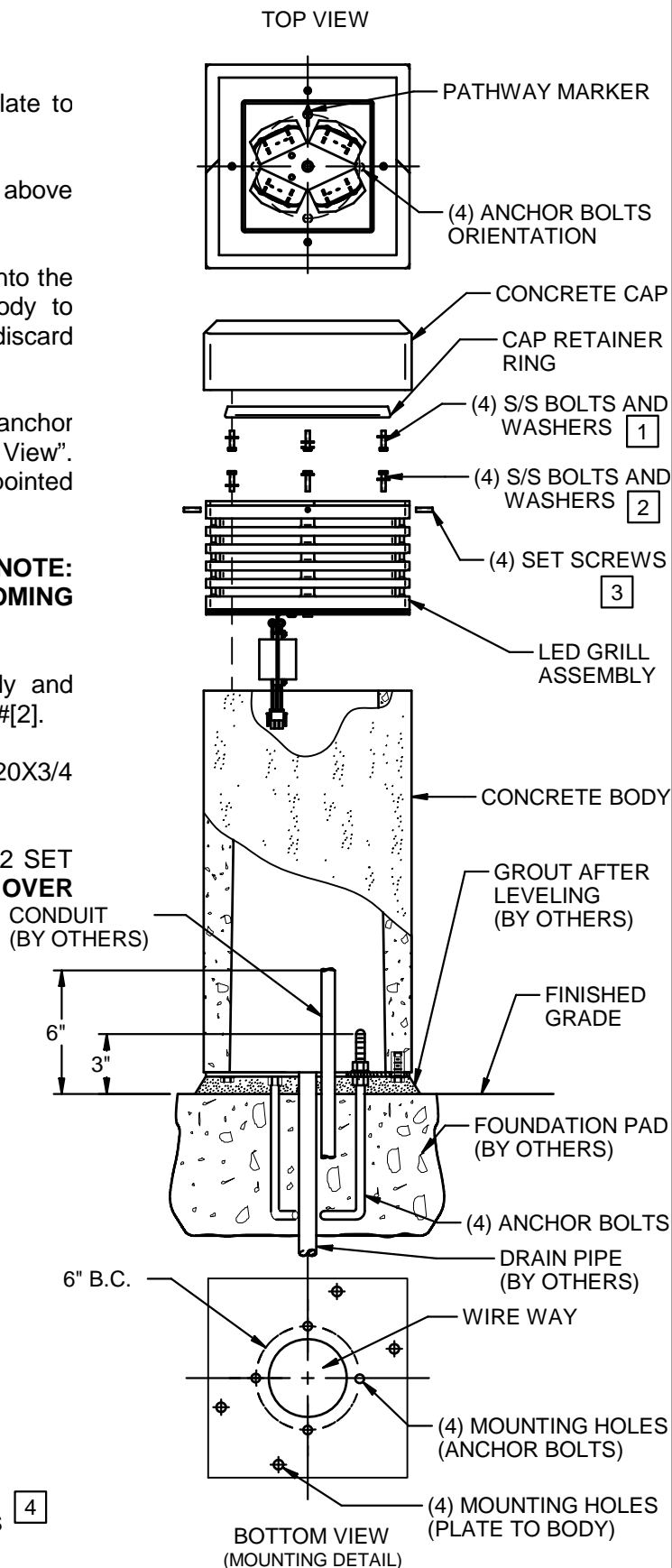
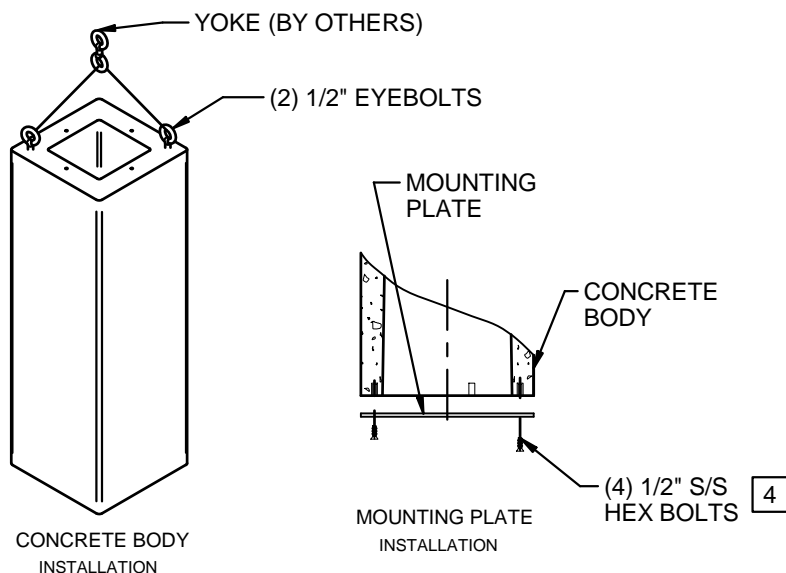
CB12S-LED-HORZ/CO-INT

INSTALLATION STEPS:

1. Lay concrete body on its side and install mounting plate to bottom of body with (4) 1/2-13X1 S/S bolts #[4].
2. Install conduit as required. Drain pipe must extend above bottom of foundation pad, leveling nuts and washers.
3. Attach yoke to (2) 1/2" eyebolts and lift concrete body onto the anchor bolts as shown below. Secure concrete body to anchor bolts. Level body as needed and remove and discard eyebolts prior to installing LED grill assembly.

IMPORTANT! For best result in lighting pathway, the anchor bolt orientation needs to be installed as shown in "Top View". Pathway marker in grill assembly plate needs to be pointed toward area of lighting.

4. Make wire connections to the incoming supply. **NOTE: ASSEMBLY MUST BE GROUNDED TO THE INCOMING EQUIPMENT GROUND SUPPLY.**
5. Place LED grill assembly onto top of concrete body and secure in place with (4) 1/4-20X3/4 screws and washers #[2].
6. Secure cap retainer ring to concrete cap with (4) 1/4-20X3/4 screws and washer #[1].
7. Place concrete cap over grill, secure with (4) 1/4-20X1/2 SET screws #[3] with 3-32 Allen wrench. **NOTE: DO NOT OVER TIGHTEN SET SCREWS.**
8. Installation complete.
9. Turn on power and check for operation.



INSTALLATION INSTRUCTIONS

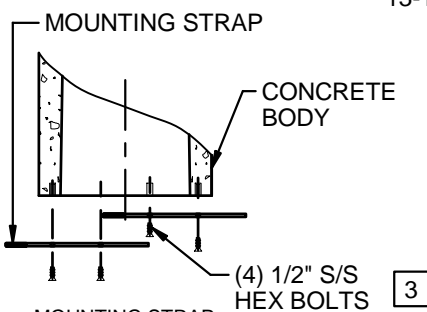
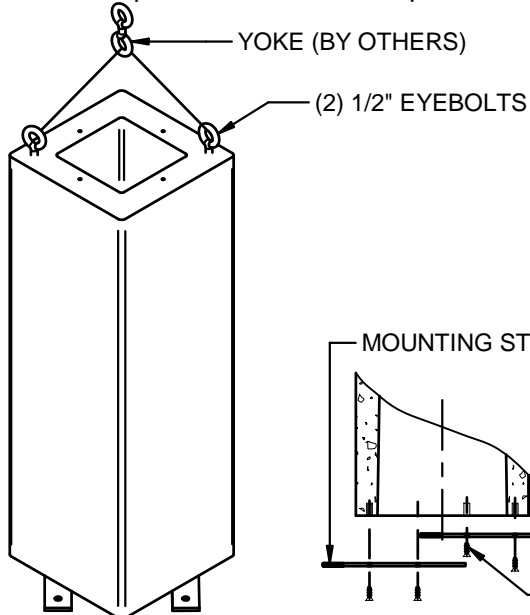
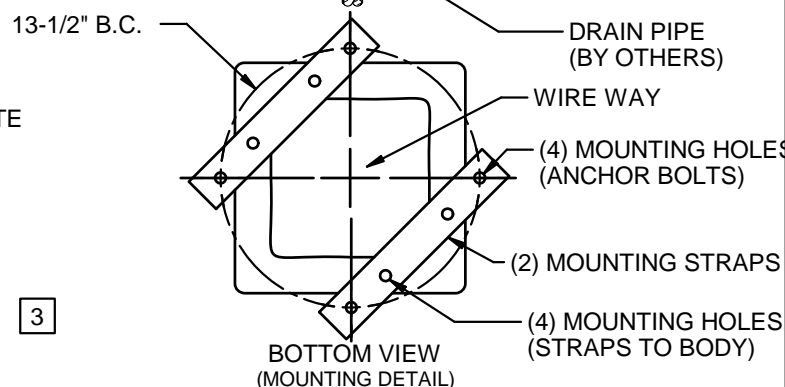
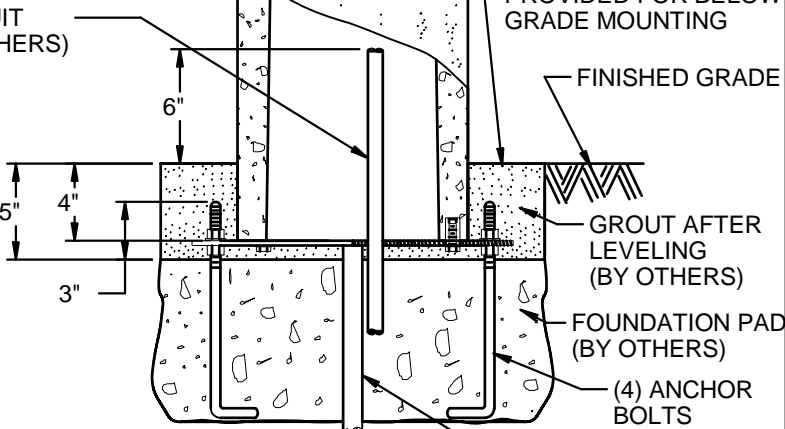
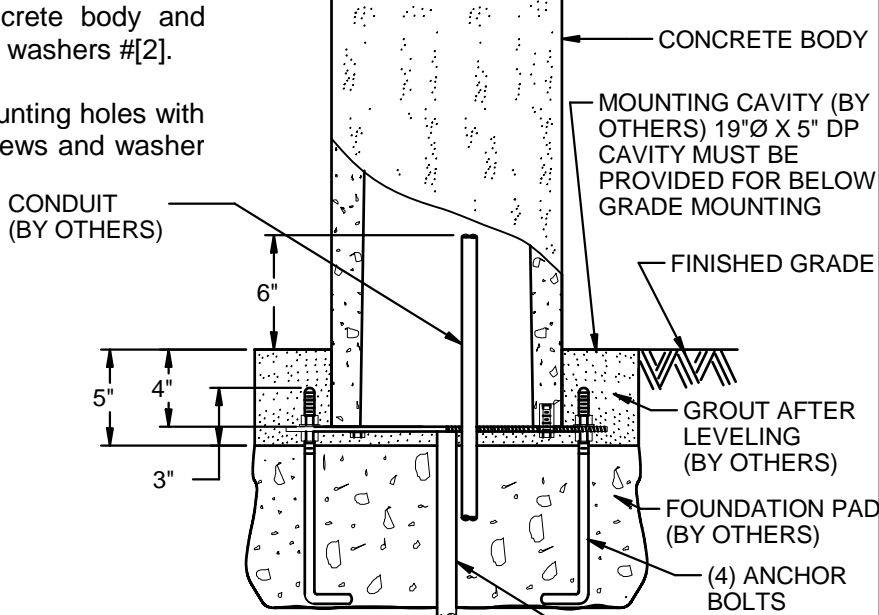
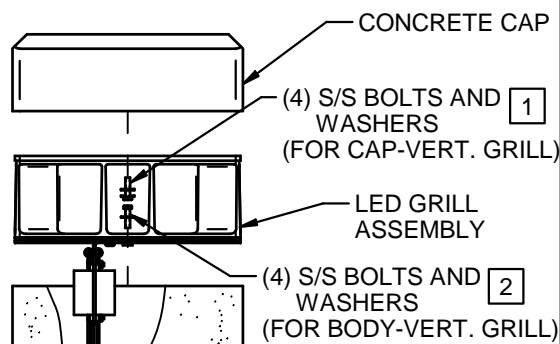
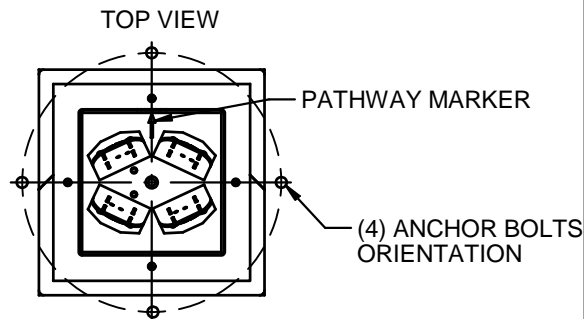
CB12S-LED-VERT-EXT

INSTALLATION STEPS:

1. Lay concrete body on its side and install (2) mounting straps to bottom of body with (4) 1/2-13X1 S/S bolts #[3].
2. Install conduit as required. Drain pipe must extend above bottom of foundation pad, leveling nuts and washers.
3. Attach yoke to (2) 1/2" eyebolts and lift concrete body onto the anchor bolts as shown below. Secure concrete body to anchor bolts. Level body as needed and remove and discard eyebolts prior to installing LED grill assembly.

IMPORTANT! For best result in lighting pathway, the anchor bolt orientation needs to be installed as shown in "Top View". Pathway marker in grill assembly plate needs to be pointed toward area of lighting.

4. Make wire connections to the incoming supply. **NOTE: ASSEMBLY MUST BE GROUNDED TO THE INCOMING EQUIPMENT GROUND SUPPLY.**
5. Place LED grill assembly onto top of concrete body and secure in place with (4) 1/4-20X3/4 screws and washers #[2].
6. Place concrete cap over grill and position mounting holes with inserts in cap. Secure with (4) 1/4-20X3/4 screws and washer #[1].
7. Installation complete.
8. Turn on power and check for operation.



CONCRETE BODY INSTALLATION

MOUNTING STRAP INSTALLATION

INSTALLATION INSTRUCTIONS

CB12S-LED-VERT-INT

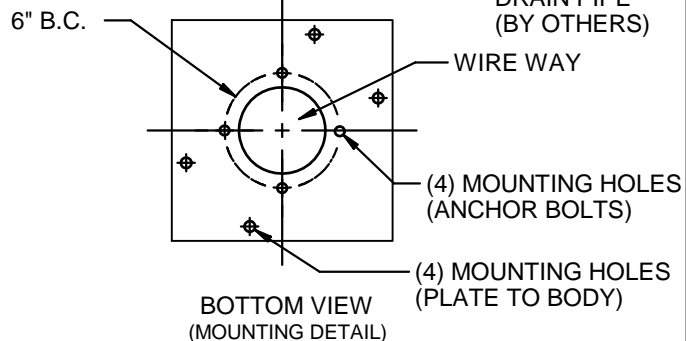
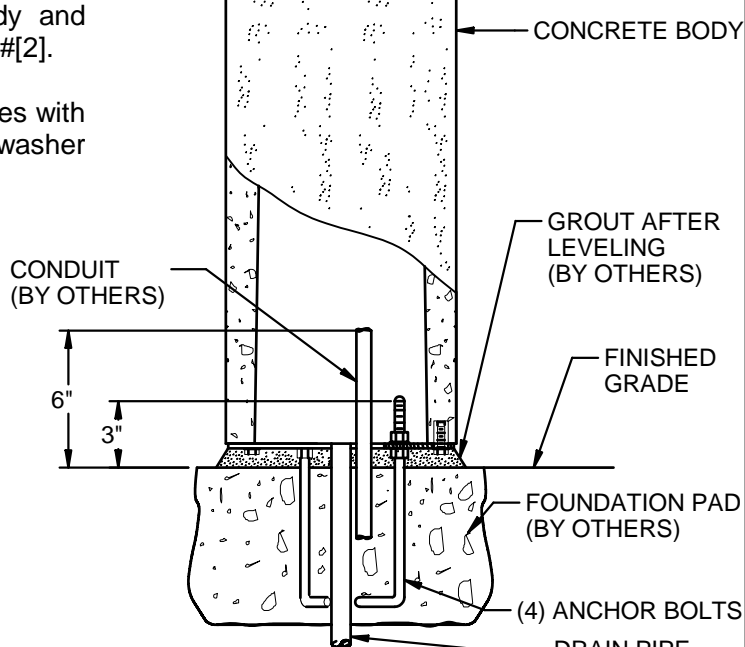
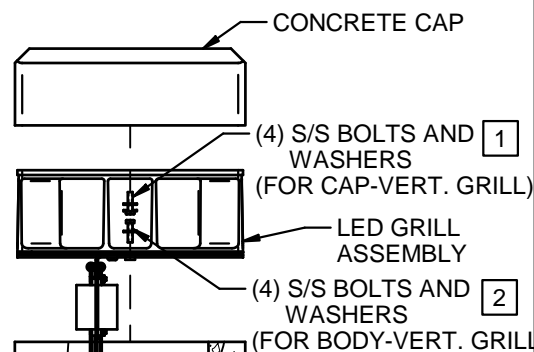
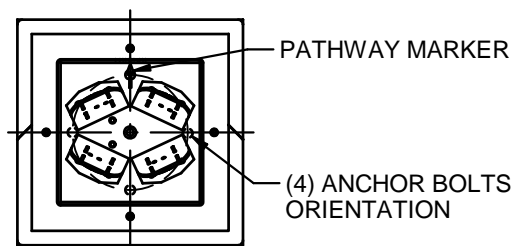
INSTALLATION STEPS:

1. Lay concrete body on its side and install mounting plate to bottom of body with (4) 1/2-13X1 S/S bolts #[3].
2. Install conduit as required. Drain pipe must extend above bottom of foundation pad, leveling nuts and washers.
3. Attach yoke to (2) 1/2" eyebolts and lift concrete body onto the anchor bolts as shown below. Secure concrete body to anchor bolts. Level body as needed and remove and discard eyebolts prior to installing LED grill assembly.

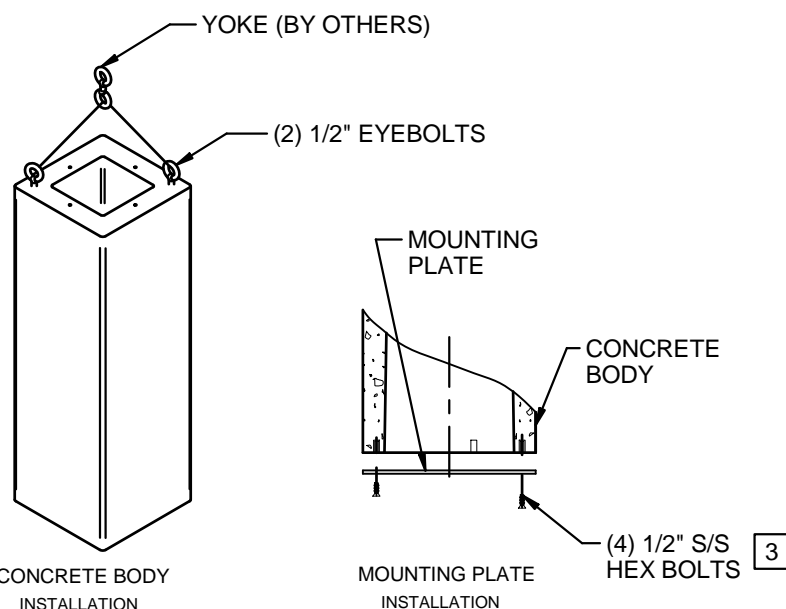
IMPORTANT! For best result in lighting pathway, the anchor bolt orientation needs to be installed as shown in "Top View". Pathway marker in grill assembly plate needs to be pointed toward area of lighting.

4. Make wire connections to the incoming supply. **NOTE: ASSEMBLY MUST BE GROUNDED TO THE INCOMING EQUIPMENT GROUND SUPPLY.**
5. Place LED grill assembly onto top of concrete body and secure in place with (4) 1/4-20X3/4 screws and washers #[2].
6. Place concrete cap over grill and position mounting holes with inserts in cap. Secure with (4) 1/4-20X3/4 screws and washer #[1].
7. Installation complete.
8. Turn on power and check for operation.

TOP VIEW



BOTTOM VIEW (MOUNTING DETAIL)



CONCRETE BODY INSTALLATION

MOUNTING PLATE INSTALLATION