

INSTALLATION INSTRUCTIONS

EXTERIOR SCONCE

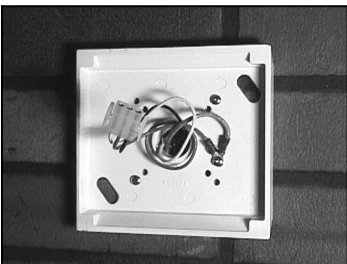


1

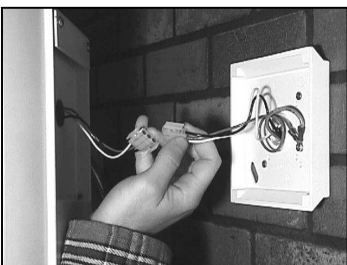
THE eSconce FEATURES UNIVERSAL MOUNTING ORIENTATION. ALL MODELS CAN BE ORIENTED IN AN UPLIGHT OR DOWNLIGHT POSITION.



2



3



4



5

1. MAKE SURE THE POWER IS OFF.
 2. USE A STANDARD OUTLET BOX WITH 2 3/4" OR 3 1/2" SCREWS MOUNTING CENTERS. **FIGURE 1.**
 - 3) REMOVE THE MOUNTING PLATE FROM THE BACK OF THE FIXURE.
 - 4) MAKE THE WIRE CONNECTIONS BETWEEN THE OUTLET BOX AND THE BACK PLATE AS REQUIRED BY CODE. **FIGURE 2.**
 - 5) SECURE BACK PLATE TO OUTLET BOX. **FIGURE 3.**
 - 6) CAULK BETWEEN THE BACK PLATE AND WALL SURFACE WITH A RECOMMENDED SILICONE SEALANT.
 - 7) **FIXTURES ARE FACTORY WIRED FOR 277 VOLTS.** FOR OTHER VOLTAGES USE AN AVAILABLE CAPPED LEAD FOR THE DESIRED VOLTAGE. ATTACH THE NEW LEAD TO THE CONNECTOR PLUG ON THE FIXTURE AND CAP THE 277 VOLT LEAD FROM THE BALLAST.
 8. SNAP TOGETHER THE CONNECTOR FROM THE FIXTURE AND THE BACK PLATE. PUSH THE EXCESS WIRE BACK INTO THE OUTLET BOX. **FIGURE 4.**
 9. HAND THE FIXTURE ON THE BACK PLATE AND SECURE BY TIGHTENING THE TWO ALLEN HEAD SOCKET CAP SCREWS BEHIND THE MAIN LENS. **FIGURE 5 AND FIGURE 6.**
 10. UNHOOK THE LATCH AND OPEN THE FIXTURE DOOR TO INSTALL THE LAMP. **FIGURE 7.**
- FOR MH OR HPS VERSIONS (ES1 AND ES2), USE MEDIUM BASE ED-17 LAMPS ONLY.**
- FOR CF VERSIONS (ES3) USE 4 PIN LAMPS ONLY.**
11. RESTORE POWER AND CHECK OPERATION.



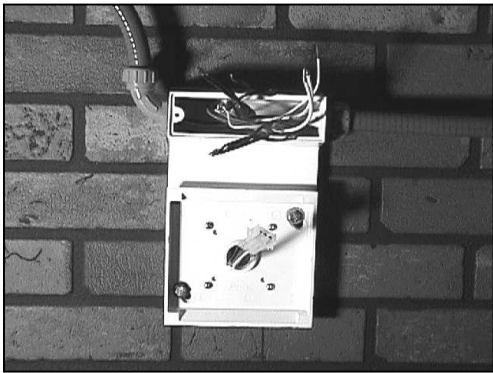
6



7

SHEET 1 OF 2

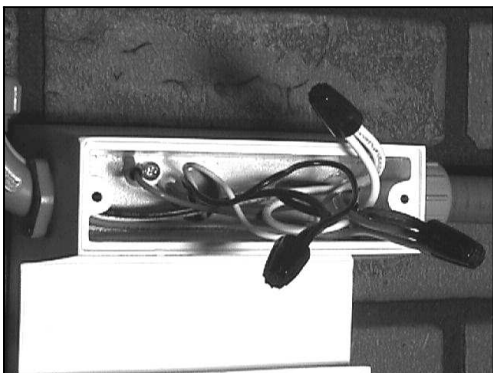
SURFACE CONDUIT BOX (OPTIONAL)



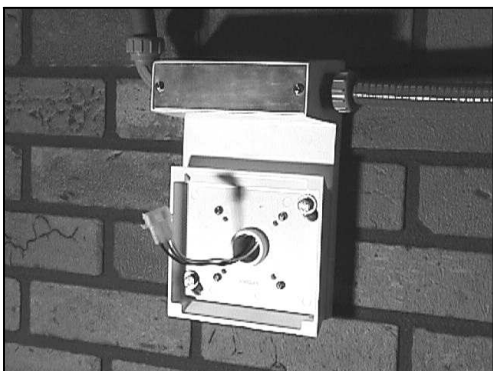
1

THE **eSconce** FEATURES UNIVERSAL MOUNTING ORIENTATION. ALL MODELS CAN BE ORIENTED IN AN UPLIGHT OR DOWNLIGHT POSITION.

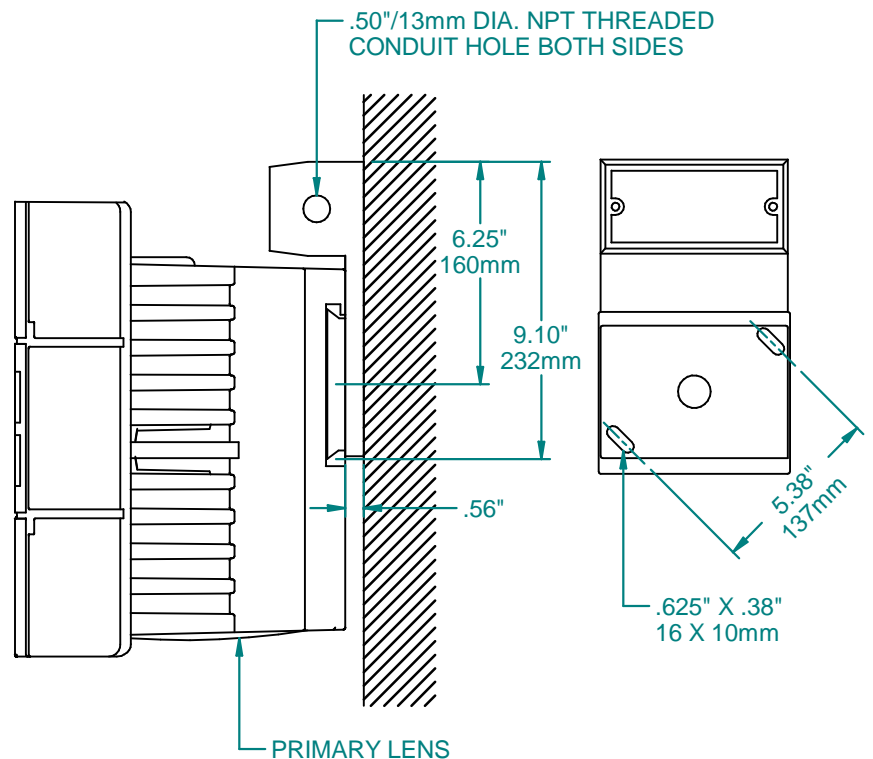
1. MAKE SURE THE POWER IS OFF.
2. REMOVE THE SPLICE COMPARTMENT COVER. **FIGURE 3.**
3. SECURE THE SURFACE CONDUIT BOX TO THE WALL. CONNECT 1/2" CONDUIT TO THE BOX. **FIGURE 1.**
4. MAKE THE WIRE CONNECTIONS TO THE INCOMING POWER WIRE LEADS. **MAKE SURE TO GROUND THE SURFACE MOUNTED BOX TO THE INCOMING GROUND WIRE LEAD.**
5. SECURE THE SPLICE COMPARTMENT COVER.
6. FOLLOW INSTRUCTIONS PART 7 THROUGH 10 ON **SHEET 1** TO INSTALL THE FIXTURE.



2



3



SHEET 2 OF 2