

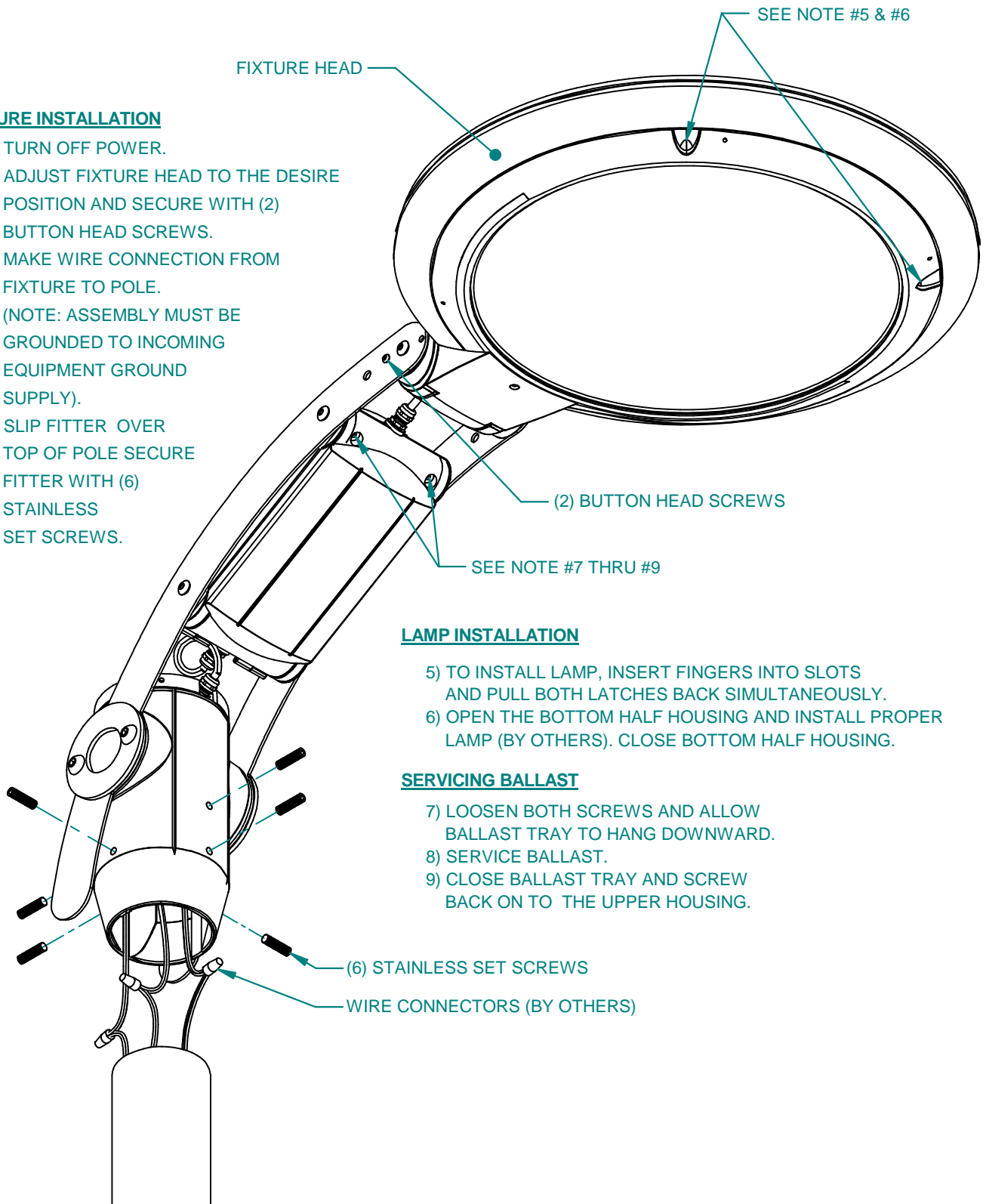
# INSTALLATION INSTRUCTIONS

CATALOG NUMBER  
**SC4 / SC5**  
**LC4 / LC5**

## CURVED ARMS

### FIXTURE INSTALLATION

- 1) TURN OFF POWER.
- 2) ADJUST FIXTURE HEAD TO THE DESIRE POSITION AND SECURE WITH (2) BUTTON HEAD SCREWS.
- 3) MAKE WIRE CONNECTION FROM FIXTURE TO POLE.  
(NOTE: ASSEMBLY MUST BE GROUNDED TO INCOMING EQUIPMENT GROUND SUPPLY).
- 4) SLIP FITTER OVER TOP OF POLE SECURE FITTER WITH (6) STAINLESS SET SCREWS.



### LAMP INSTALLATION

- 5) TO INSTALL LAMP, INSERT FINGERS INTO SLOTS AND PULL BOTH LATCHES BACK SIMULTANEOUSLY.
- 6) OPEN THE BOTTOM HALF HOUSING AND INSTALL PROPER LAMP (BY OTHERS). CLOSE BOTTOM HALF HOUSING.

### SERVICING BALLAST

- 7) LOOSEN BOTH SCREWS AND ALLOW BALLAST TRAY TO HANG DOWNWARD.
- 8) SERVICE BALLAST.
- 9) CLOSE BALLAST TRAY AND SCREW BACK ON TO THE UPPER HOUSING.

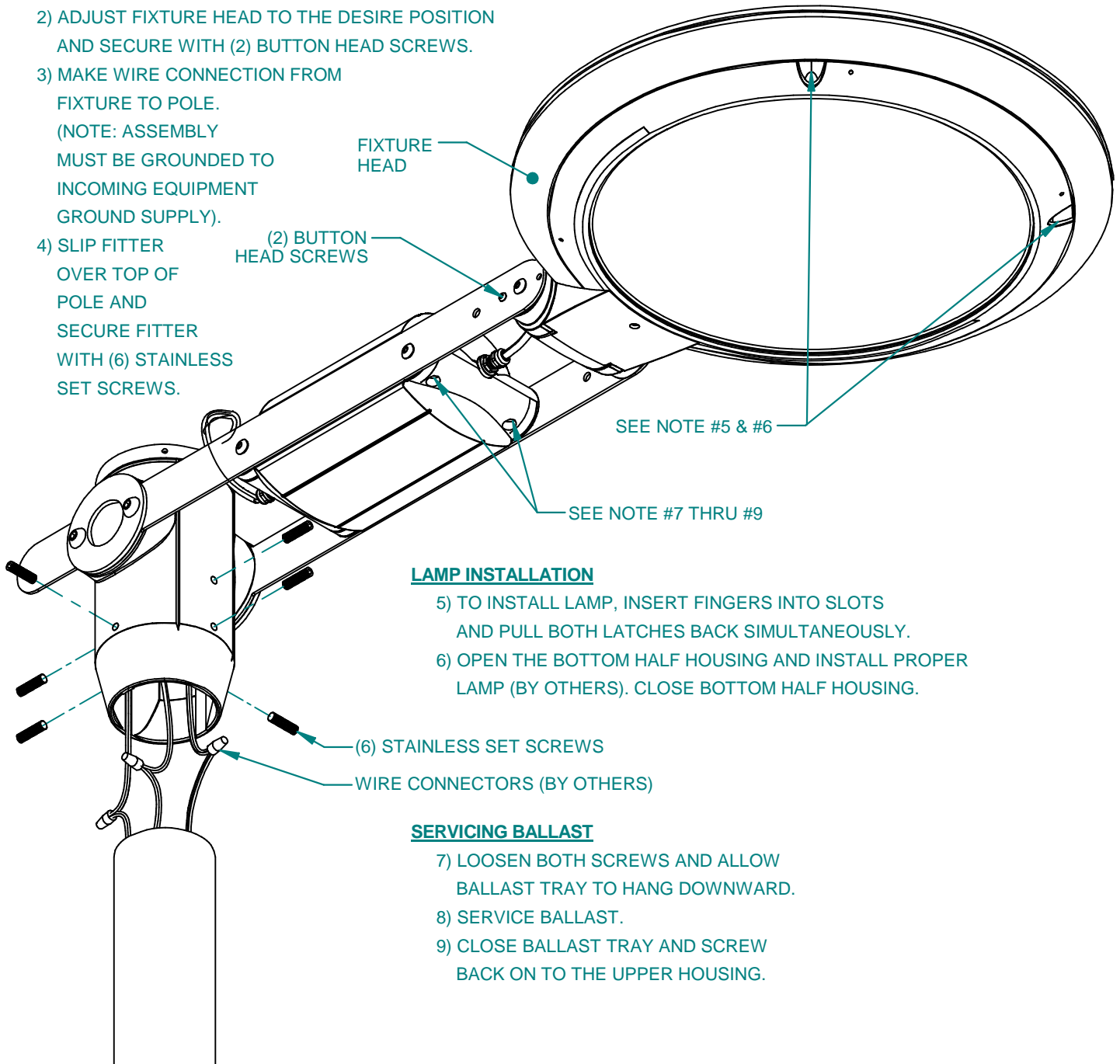
# INSTALLATION INSTRUCTIONS

CATALOG NUMBER  
**SS4 / SS5**  
**LS4 / LS5**

## STRAIGHT ARMS

### FIXTURE INSTALLATION

- 1) TURN OFF POWER.
- 2) ADJUST FIXTURE HEAD TO THE DESIRE POSITION AND SECURE WITH (2) BUTTON HEAD SCREWS.
- 3) MAKE WIRE CONNECTION FROM FIXTURE TO POLE.  
(NOTE: ASSEMBLY MUST BE GROUNDED TO INCOMING EQUIPMENT GROUND SUPPLY).
- 4) SLIP FITTER OVER TOP OF POLE AND SECURE FITTER WITH (6) STAINLESS SET SCREWS.



### LAMP INSTALLATION

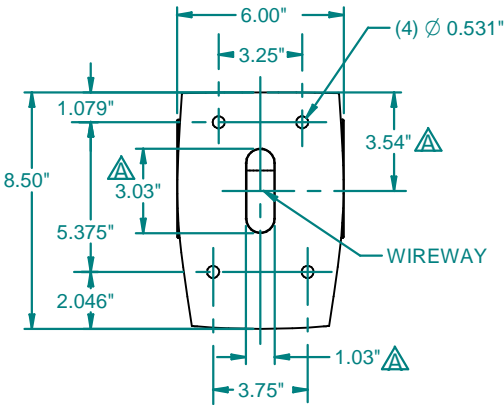
- 5) TO INSTALL LAMP, INSERT FINGERS INTO SLOTS AND PULL BOTH LATCHES BACK SIMULTANEOUSLY.
- 6) OPEN THE BOTTOM HALF HOUSING AND INSTALL PROPER LAMP (BY OTHERS). CLOSE BOTTOM HALF HOUSING.

### SERVICING BALLAST

- 7) LOOSEN BOTH SCREWS AND ALLOW BALLAST TRAY TO HANG DOWNWARD.
- 8) SERVICE BALLAST.
- 9) CLOSE BALLAST TRAY AND SCREW BACK ON TO THE UPPER HOUSING.

### WALL MOUNT STRAIGHT ARMS

#### FIXTURE INSTALLATION

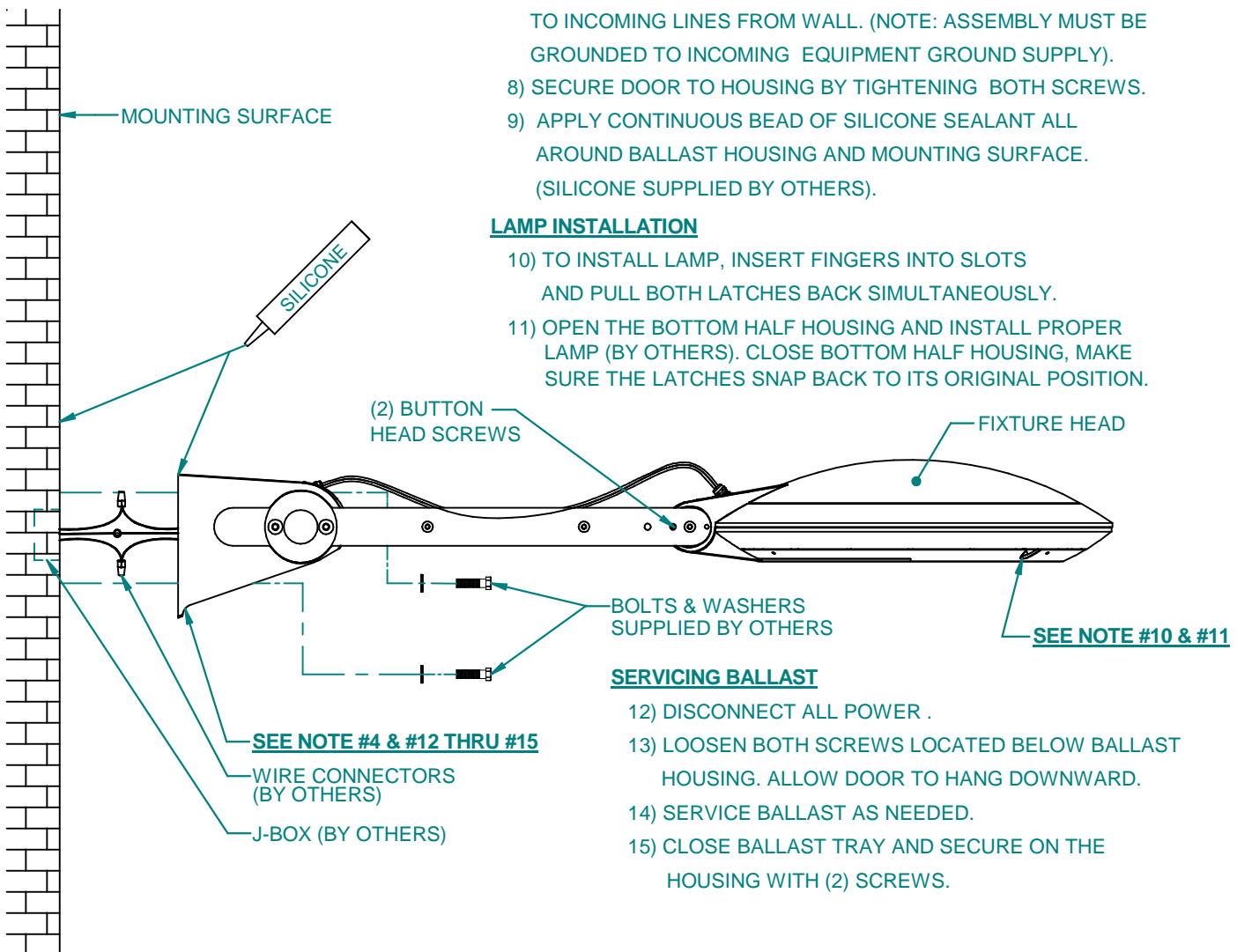


**BALLAST HOUSING MOUNTING**  
DETAIL ORIENTATION

- 1) DRILL BOLT HOLES AND WIREWAY IN ACCORD TO THE SUPPLIED MOUNTING TEMPLATE.
- 2) TURN OFF POWER.
- 3) ADJUST FIXTURE HEAD TO THE DESIRE POSITION AND SECURE WITH (2) BUTTON HEAD SCREWS.
- 4) LOOSEN BOTH SCREWS LOCATED BELOW BALLAST HOUSING. ALLOW DOOR TO HANG DOWNWARD. DISCONNECT WIRE HARNESS BETWEEN BALLAST AND FLEXIBLE CONDUIT. REMOVE BALLAST TRAY.
- 5) SECURE BALLAST HOUSING TO MOUNTING SURFACE WITH APPROPRIATE HARDWARE (SUPPLIED BY OTHERS).
- 6) RE-INSTALL BALLAST TRAY AND CONNECT WIRE HARNESS.
- 7) MAKE WIRE CONNECTIONS FROM BALLAST HOUSING TO INCOMING LINES FROM WALL. (NOTE: ASSEMBLY MUST BE GROUNDED TO INCOMING EQUIPMENT GROUND SUPPLY).
- 8) SECURE DOOR TO HOUSING BY TIGHTENING BOTH SCREWS.
- 9) APPLY CONTINUOUS BEAD OF SILICONE SEALANT ALL AROUND BALLAST HOUSING AND MOUNTING SURFACE. (SILICONE SUPPLIED BY OTHERS).

#### LAMP INSTALLATION

- 10) TO INSTALL LAMP, INSERT FINGERS INTO SLOTS AND PULL BOTH LATCHES BACK SIMULTANEOUSLY.
- 11) OPEN THE BOTTOM HALF HOUSING AND INSTALL PROPER LAMP (BY OTHERS). CLOSE BOTTOM HALF HOUSING, MAKE SURE THE LATCHES SNAP BACK TO ITS ORIGINAL POSITION.



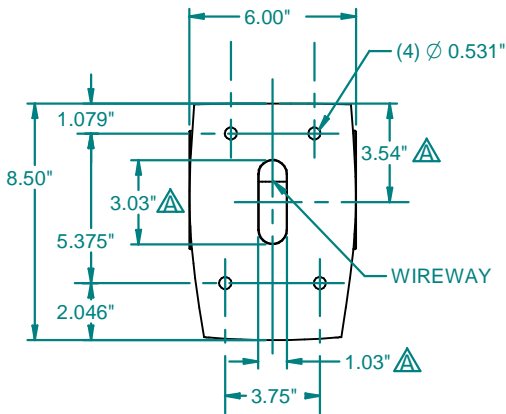
#### SERVICING BALLAST

- 12) DISCONNECT ALL POWER .
- 13) LOOSEN BOTH SCREWS LOCATED BELOW BALLAST HOUSING. ALLOW DOOR TO HANG DOWNWARD.
- 14) SERVICE BALLAST AS NEEDED.
- 15) CLOSE BALLAST TRAY AND SECURE ON THE HOUSING WITH (2) SCREWS.

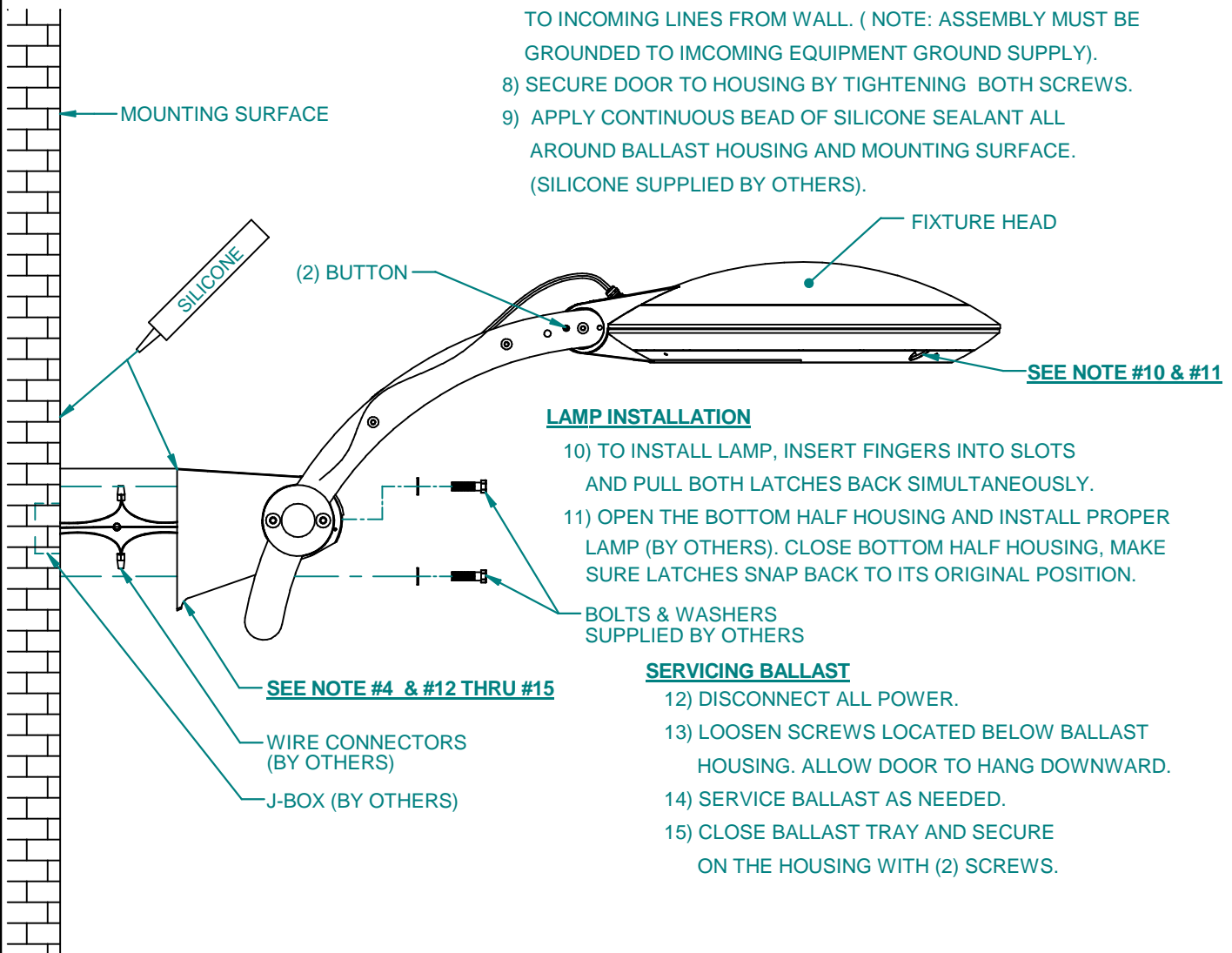
## WALL MOUNT CURVED ARMS

### FIXTURE INSTALLATION

- 1) DRILL BOLT HOLES AND WIREWAY IN ACCORD TO THE SUPPLIED MOUNTING TEMPLATE.
- 2) TURN OFF POWER.
- 3) ADJUST FIXTURE HEAD TO THE DESIRE POSITION AND SECURE WITH (2) BUTTON HEAD SCREWS.
- 4) LOOSEN BOTH SCREWS LOCATED BELOW BALLAST HOUSING ALLOW DOOR TO HANG DOWNWARD. DISCONNECT WIRE HARNESS BETWEEN BALLAST AND FLEXIBLE CONDUIT. REMOVE BALLAST TRAY.
- 5) SECURE BALLAST HOUSING TO MOUNTING SURFACE WITH APPROPRIATE HARDWARE (SUPPLIED BY OTHERS).
- 6) RE-INSTALL BALLAST TRAY AND CONNECT WIRE HARNESS.
- 7) MAKE WIRE CONNECTIONS FROM BALLAST HOUSING TO INCOMING LINES FROM WALL. ( NOTE: ASSEMBLY MUST BE GROUNDED TO IMCOMING EQUIPMENT GROUND SUPPLY).
- 8) SECURE DOOR TO HOUSING BY TIGHTENING BOTH SCREWS.
- 9) APPLY CONTINUOUS BEAD OF SILICONE SEALANT ALL AROUND BALLAST HOUSING AND MOUNTING SURFACE. (SILICONE SUPPLIED BY OTHERS).



**BALLAST HOUSING MOUNTING**  
DETAIL ORIENTATION



### LAMP INSTALLATION

- 10) TO INSTALL LAMP, INSERT FINGERS INTO SLOTS AND PULL BOTH LATCHES BACK SIMULTANEOUSLY.
- 11) OPEN THE BOTTOM HALF HOUSING AND INSTALL PROPER LAMP (BY OTHERS). CLOSE BOTTOM HALF HOUSING, MAKE SURE LATCHES SNAP BACK TO ITS ORIGINAL POSITION.

### SERVICING BALLAST

- 12) DISCONNECT ALL POWER.
- 13) LOOSEN SCREWS LOCATED BELOW BALLAST HOUSING. ALLOW DOOR TO HANG DOWNWARD.
- 14) SERVICE BALLAST AS NEEDED.
- 15) CLOSE BALLAST TRAY AND SECURE ON THE HOUSING WITH (2) SCREWS.

# INSTALLATION INSTRUCTIONS

CATALOG NUMBER  
**TSC4 / TSC5**

## FIXTURE INSTALLATION

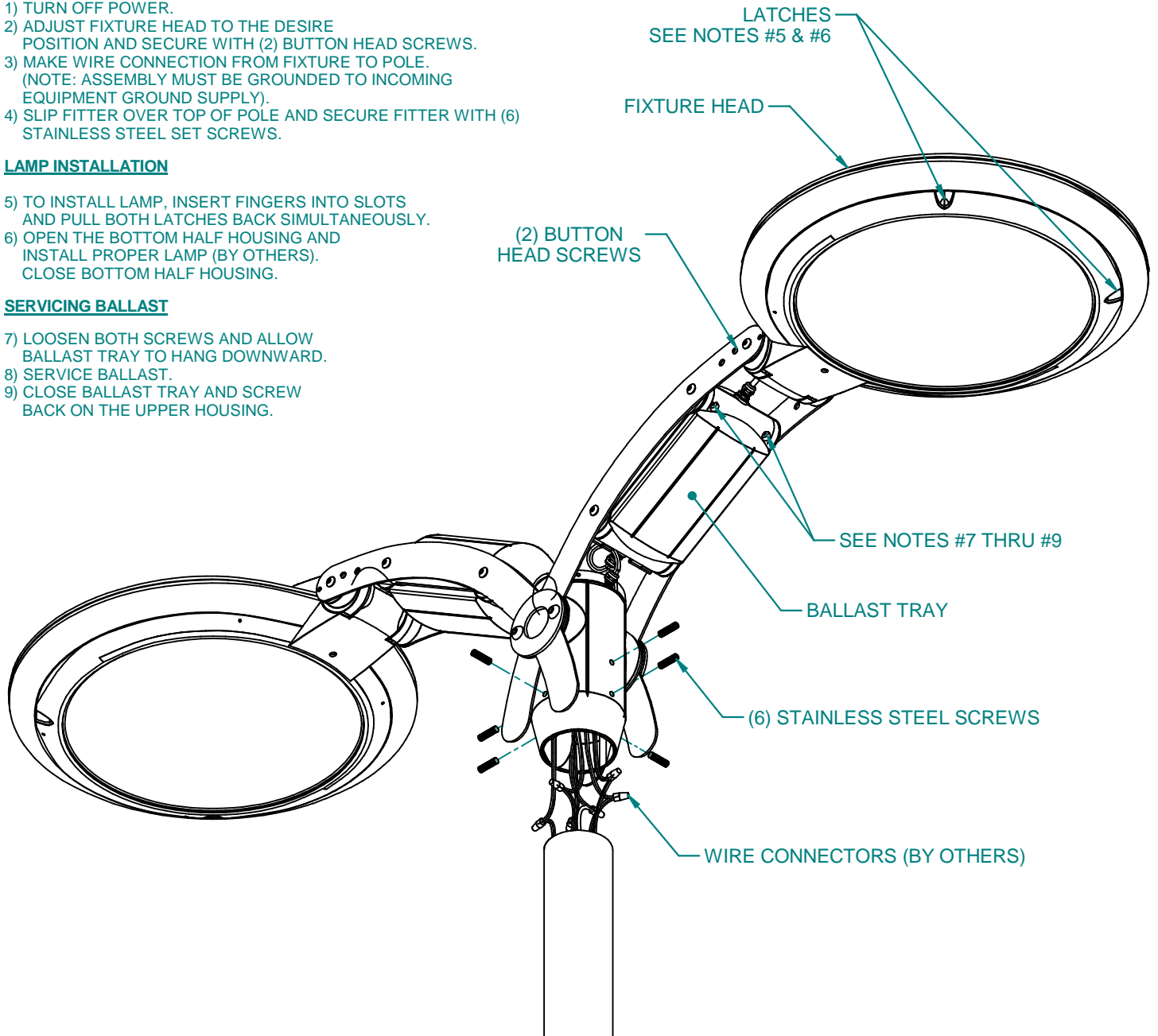
- 1) TURN OFF POWER.
- 2) ADJUST FIXTURE HEAD TO THE DESIRE POSITION AND SECURE WITH (2) BUTTON HEAD SCREWS.
- 3) MAKE WIRE CONNECTION FROM FIXTURE TO POLE.  
(NOTE: ASSEMBLY MUST BE GROUNDED TO INCOMING EQUIPMENT GROUND SUPPLY).
- 4) SLIP FITTER OVER TOP OF POLE AND SECURE FITTER WITH (6) STAINLESS STEEL SET SCREWS.

## LAMP INSTALLATION

- 5) TO INSTALL LAMP, INSERT FINGERS INTO SLOTS AND PULL BOTH LATCHES BACK SIMULTANEOUSLY.
- 6) OPEN THE BOTTOM HALF HOUSING AND INSTALL PROPER LAMP (BY OTHERS). CLOSE BOTTOM HALF HOUSING.

## SERVICING BALLAST

- 7) LOOSEN BOTH SCREWS AND ALLOW BALLAST TRAY TO HANG DOWNWARD.
- 8) SERVICE BALLAST.
- 9) CLOSE BALLAST TRAY AND SCREW BACK ON THE UPPER HOUSING.



## TWIN CURVED ARMS

# INSTALLATION INSTRUCTIONS

CATALOG NUMBER  
**TSS / TLS**

## FIXTURE INSTALLATION

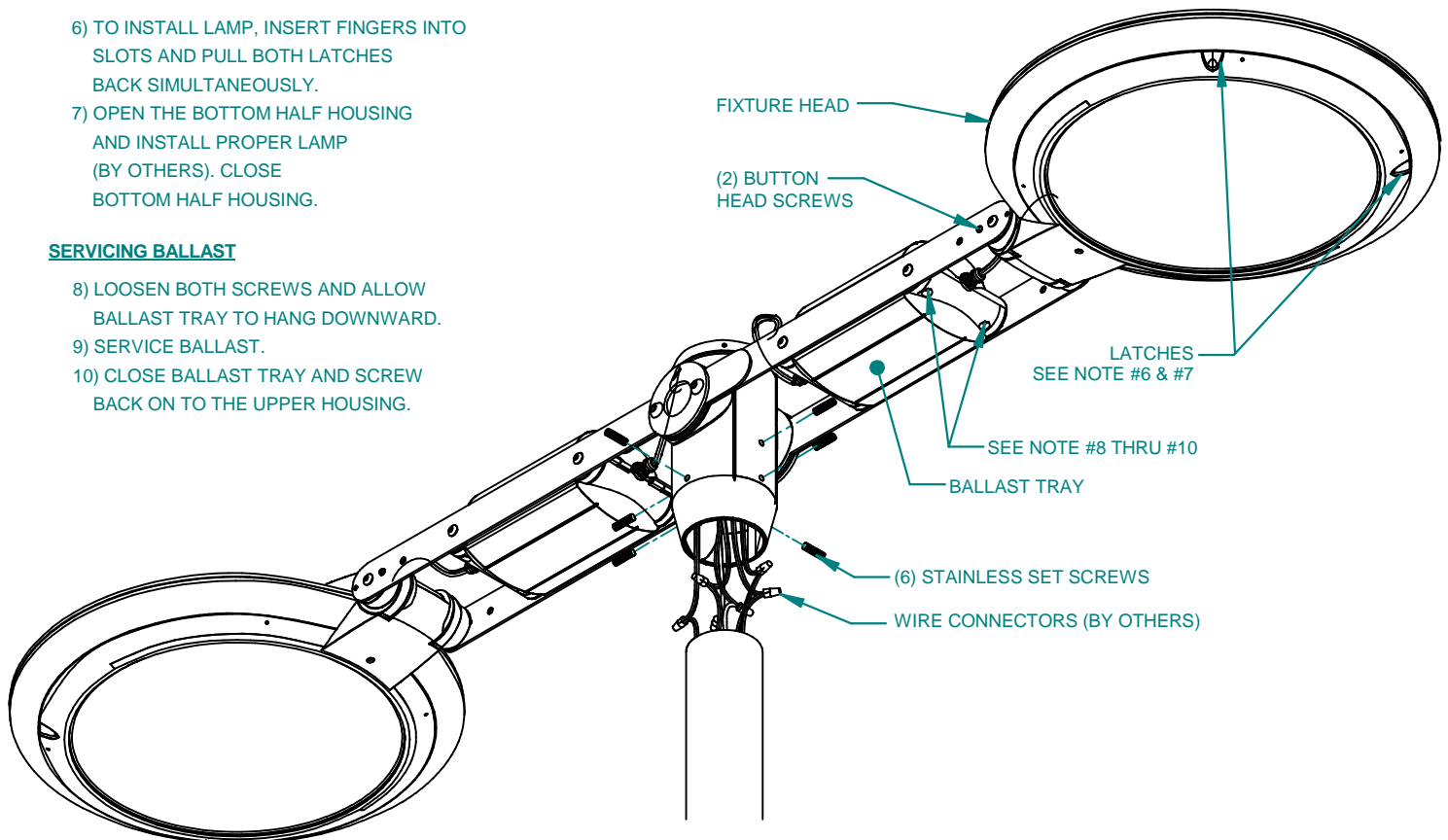
- 1) MUST FOLLOW INSTALLATION INSTRUCTION DRAWING #A96436 BEFORE PROCEEDING.
- 2) TURN OFF POWER.
- 3) ADJUST FIXTURE HEAD TO THE DESIRE POSITION AND SECURE WITH (2) BUTTON HEAD SCREWS.
- 4) MAKE WIRE CONNECTION FROM FIXTURE TO POLE.  
(NOTE: ASSEMBLY MUST BE GROUNDED TO INCOMING EQUIPMENT GROUND SUPPLY).
- 5) SLIP FITTER OVER TOP OF POLE AND SECURE FITTER WITH (6) STAINLESS SET SCREWS.

## LAMP INSTALLATION

- 6) TO INSTALL LAMP, INSERT FINGERS INTO SLOTS AND PULL BOTH LATCHES BACK SIMULTANEOUSLY.
- 7) OPEN THE BOTTOM HALF HOUSING AND INSTALL PROPER LAMP (BY OTHERS). CLOSE BOTTOM HALF HOUSING.

## SERVICING BALLAST

- 8) LOOSEN BOTH SCREWS AND ALLOW BALLAST TRAY TO HANG DOWNWARD.
- 9) SERVICE BALLAST.
- 10) CLOSE BALLAST TRAY AND SCREW BACK ON TO THE UPPER HOUSING.

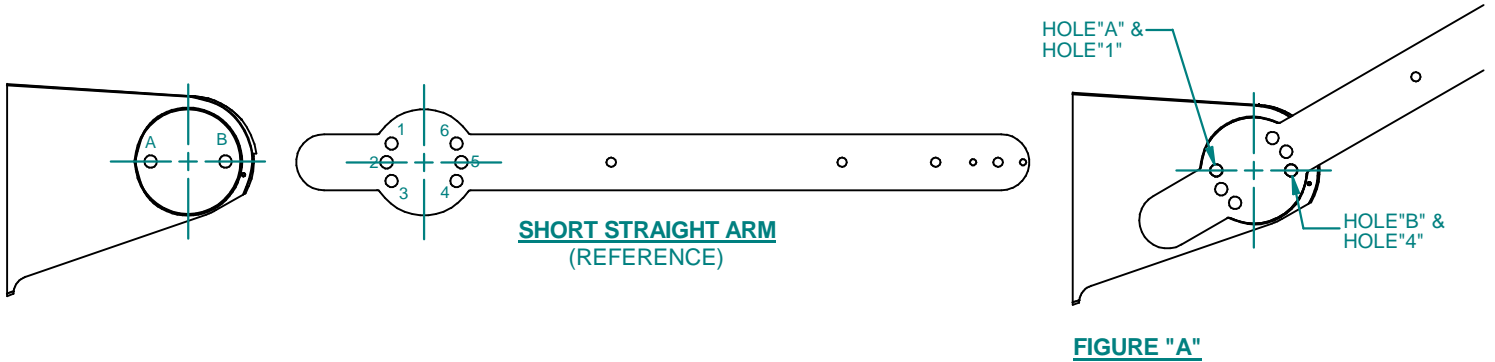


## TWIN STRAIGHT ARMS

# INSTALLATION INSTRUCTIONS

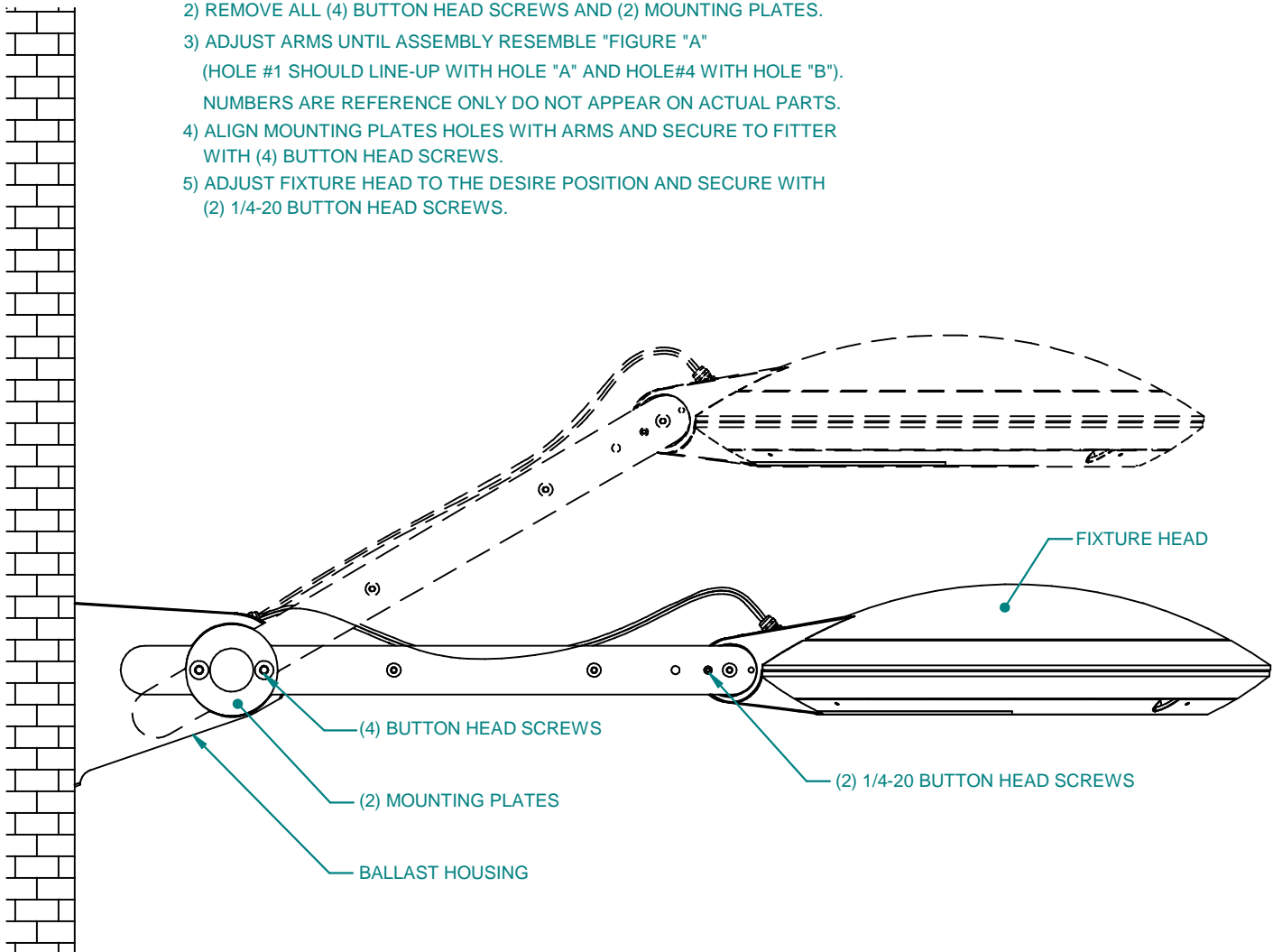
CATALOG NUMBER  
**30° WVSS  
WSS & WLS**

## TO ROTATE FIXTURE 30°



### BALLAST HOUSING

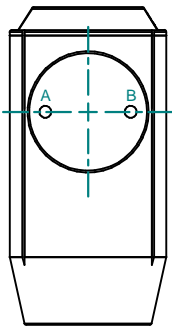
- 1) TURN OFF POWER.
- 2) REMOVE ALL (4) BUTTON HEAD SCREWS AND (2) MOUNTING PLATES.
- 3) ADJUST ARMS UNTIL ASSEMBLY RESEMBLE "FIGURE "A"  
(HOLE #1 SHOULD LINE-UP WITH HOLE "A" AND HOLE#4 WITH HOLE "B").  
NUMBERS ARE REFERENCE ONLY DO NOT APPEAR ON ACTUAL PARTS.
- 4) ALIGN MOUNTING PLATES HOLES WITH ARMS AND SECURE TO FITTER WITH (4) BUTTON HEAD SCREWS.
- 5) ADJUST FIXTURE HEAD TO THE DESIRE POSITION AND SECURE WITH (2) 1/4-20 BUTTON HEAD SCREWS.



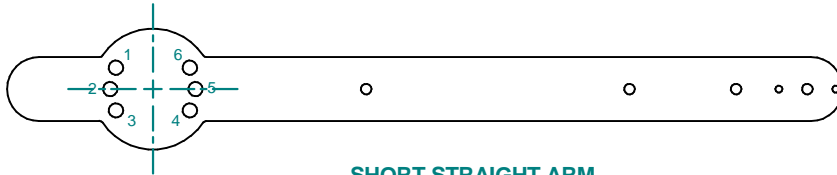
# INSTALLATION INSTRUCTIONS

CATALOG NUMBER  
**SS4 / SS5**  
**LS4 / LS5**

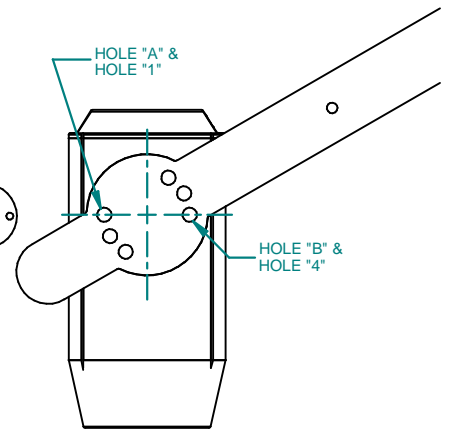
## TO ROTATE FIXTURE 30°



**4" FITTER**  
(REFERENCE)

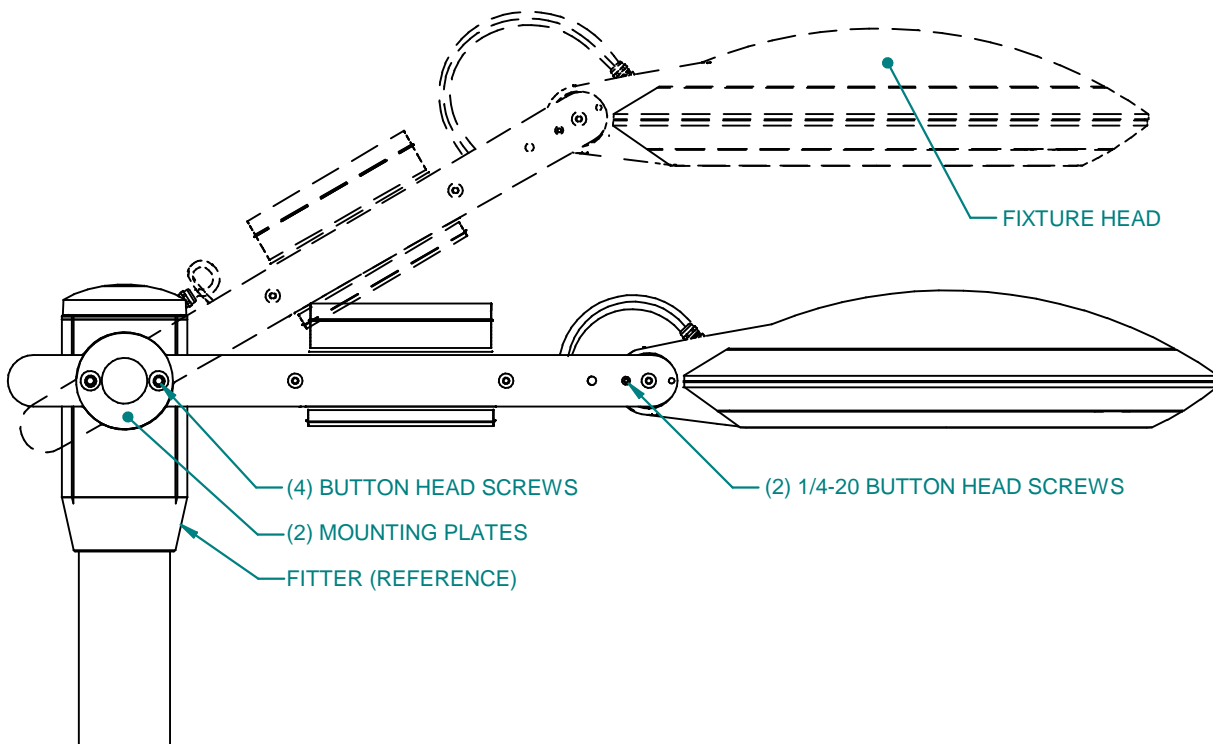


**SHORT STRAIGHT ARM**  
(REFERENCE)



**FIGURE "A"**

- 1) TURN OFF POWER.
- 2) REMOVE ALL (4) BUTTON HEAD SCREWS AND (2) MOUNTING PLATES.
- 3) ADJUST ARMS UNTIL ASSEMBLY RESEMBLE "FIGURE "A"  
(HOLE #1 SHOULD LINE-UP WITH HOLE "A" AND HOLE #4 WITH HOLE "B").  
NUMBERS ARE REFERENCE ONLY DO NOT APPEAR ON ACTUAL PARTS.
- 4) ALIGN MOUNTING PLATES HOLES WITH ARMS AND SECURE TO FITTER WITH (4) BUTTON HEAD SCREWS.
- 5) ADJUST FIXTURE HEAD TO THE DESIRE POSITION AND SECURE  
(2) 1/4-20 BUTTON HEAD SCREWS.

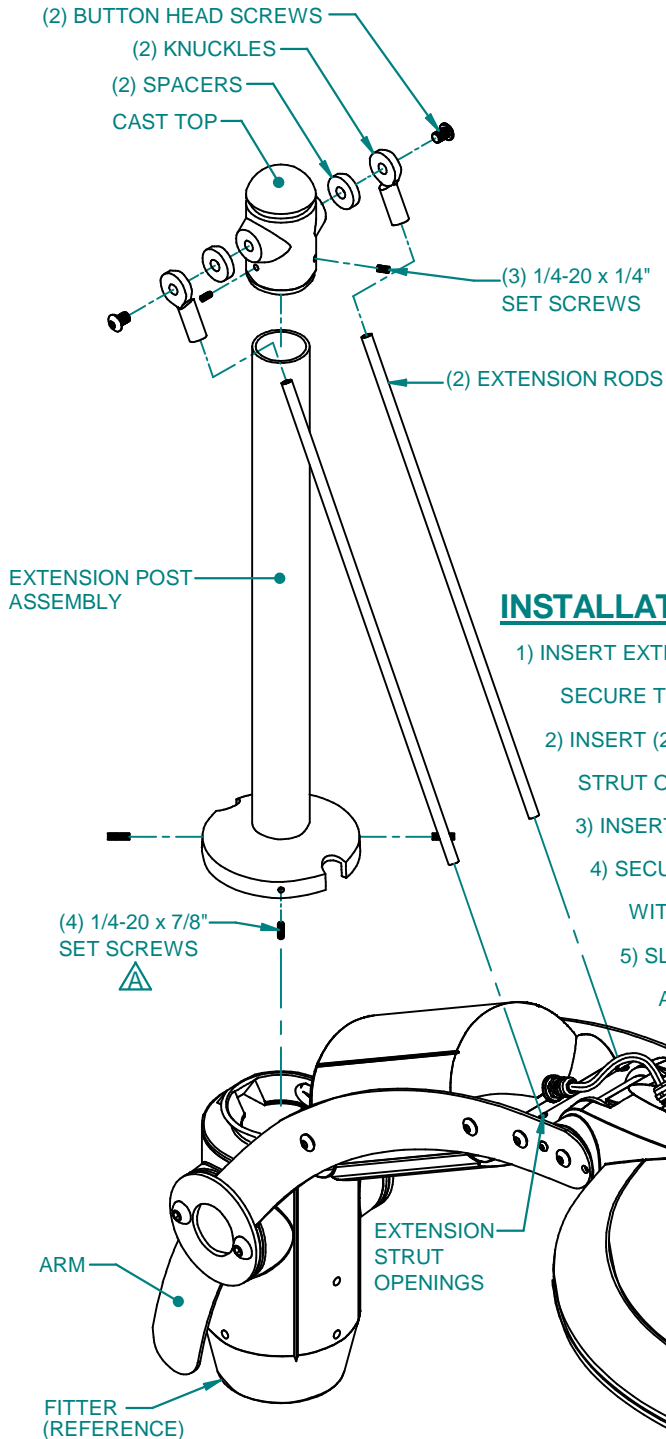




# INSTALLATION INSTRUCTIONS

CATALOG NUMBER  
**SC4XP / SC5XP**  
**LC4XP / LC5XP**

## DECORATIVE EXTENSION



FINAL ASSEMBLY  
SHORT CURVED ARM  
WITH AN EXTENDED POST  
SHOWN SLIPS OVER A 4" POLE

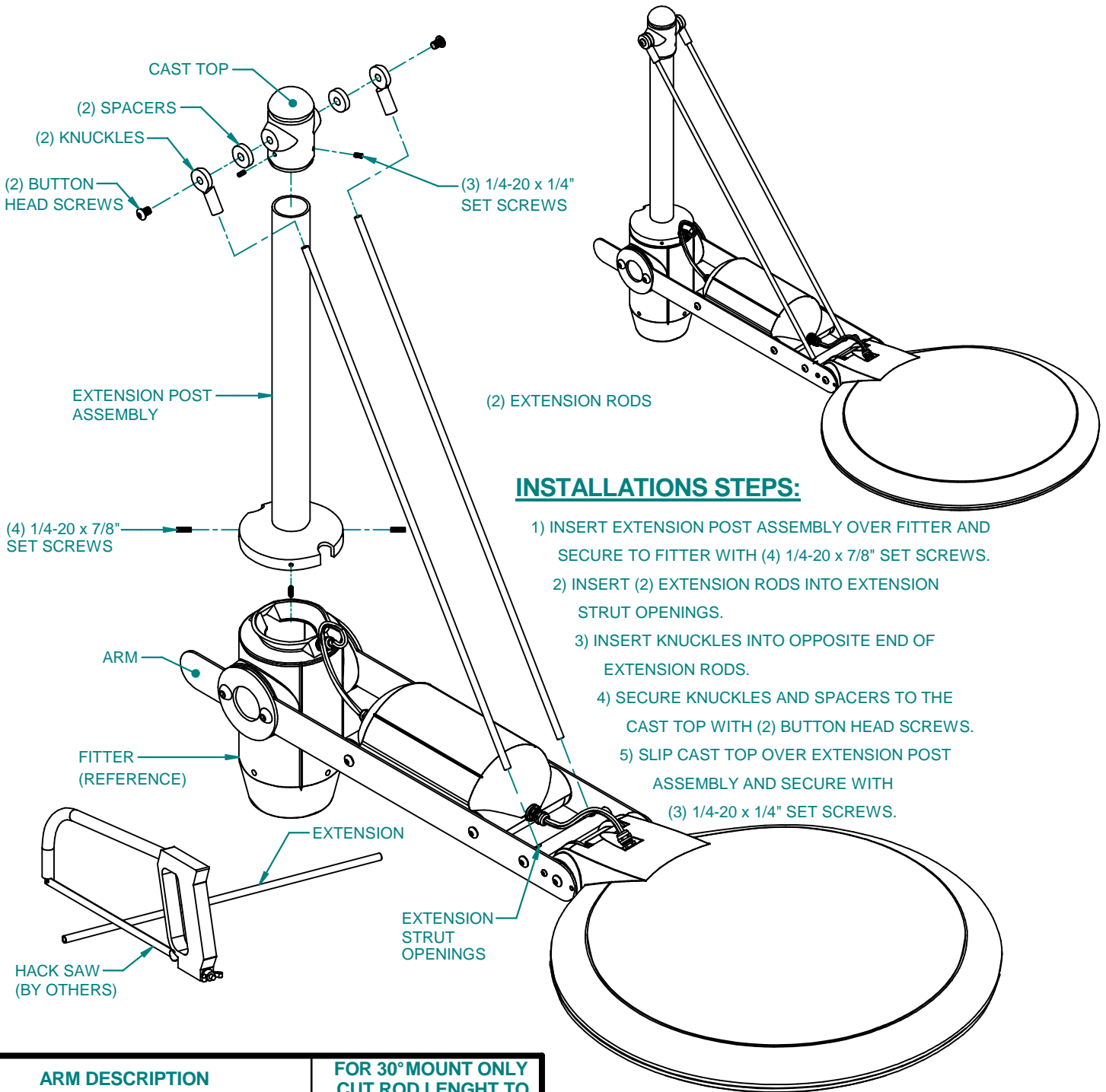
### INSTALLATION STEPS:

- 1) INSERT EXTENSION POST ASSEMBLY OVER FITTER AND SECURE TO FITTER WITH (4) 1/4-20 x 7/8" SET SCREWS.
- 2) INSERT (2) EXTENSION RODS INTO EXTENSION STRUT OPENINGS.
- 3) INSERT KNUCKLES INTO OPPOSITE END OF EXTENSION RODS.
- 4) SECURE KNUCKLES AND SPACERS TO THE CAST TOP WITH (2) BUTTON HEAD SCREWS.
- 5) SLIP CAST TOP OVER EXTENSION POST ASSEMBLY AND SECURE WITH (3) 1/4-20 x 1/4" SET SCREWS.

# INSTALLATION INSTRUCTIONS

CATALOG NUMBER  
**SS4XP / SS5XP**  
**LS4XP / LS5XP**

## DECORATIVE EXTENSION



### INSTALLATIONS STEPS:

- 1) INSERT EXTENSION POST ASSEMBLY OVER FITTER AND SECURE TO FITTER WITH (4) 1/4-20 x 7/8\" SET SCREWS.
- 2) INSERT (2) EXTENSION RODS INTO EXTENSION STRUT OPENINGS.
- 3) INSERT KNUCKLES INTO OPPOSITE END OF EXTENSION RODS.
- 4) SECURE KNUCKLES AND SPACERS TO THE CAST TOP WITH (2) BUTTON HEAD SCREWS.
- 5) SLIP CAST TOP OVER EXTENSION POST ASSEMBLY AND SECURE WITH (3) 1/4-20 x 1/4\" SET SCREWS.

### NOTE:

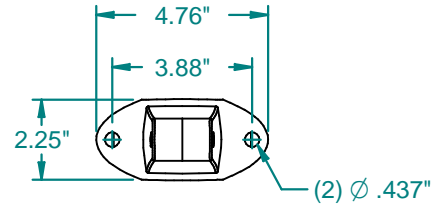
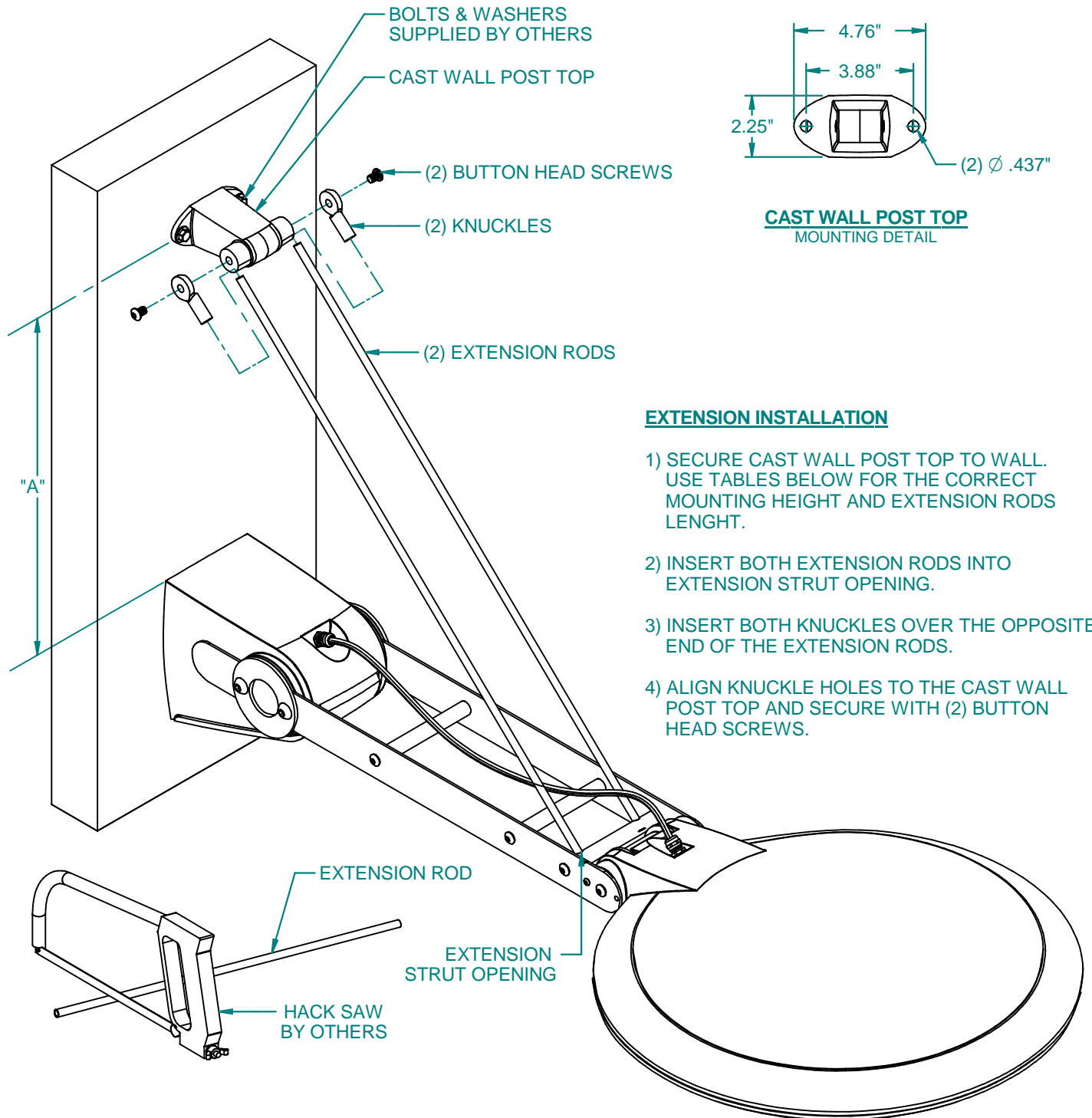
FOR 30° ANGLE MOUNTING PLEASE SEE DRAWING # A96271, THEN FOLLOW ABOVE INSTRUCTIONS.

ARM DESCRIPTION	FOR 30° MOUNT ONLY CUT ROD LENGHT TO
FOR SHORT STRAIGHT ARMS (30°)	21 3/4"
FOR SHORT STRAIGHT ARMS (30°)	26 1/8"

# INSTALLATION INSTRUCTIONS

CATALOG NUMBER

WSSER / WLSER



**CAST WALL POST TOP**  
MOUNTING DETAIL

### EXTENSION INSTALLATION

- 1) SECURE CAST WALL POST TOP TO WALL. USE TABLES BELOW FOR THE CORRECT MOUNTING HEIGHT AND EXTENSION RODS LENGTH.
- 2) INSERT BOTH EXTENSION RODS INTO EXTENSION STRUT OPENING.
- 3) INSERT BOTH KNUCKLES OVER THE OPPOSITE END OF THE EXTENSION RODS.
- 4) ALIGN KNUCKLE HOLES TO THE CAST WALL POST TOP AND SECURE WITH (2) BUTTON HEAD SCREWS.

ARM DESCRIPTION	LENGTH "A"	FOR 30° MOUNT ONLY CUT ROD LENGTH TO
FOR SHORT STRAIGHT ARMS (30")	16 1/4"	23 1/8"
FOR LONG STRAIGHT ARMS (37")	15 1/4"	28 3/4"

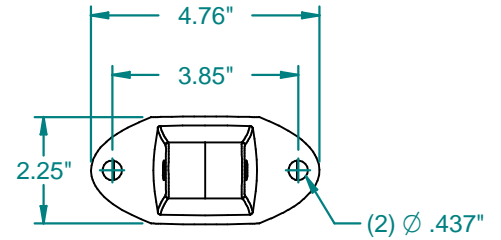
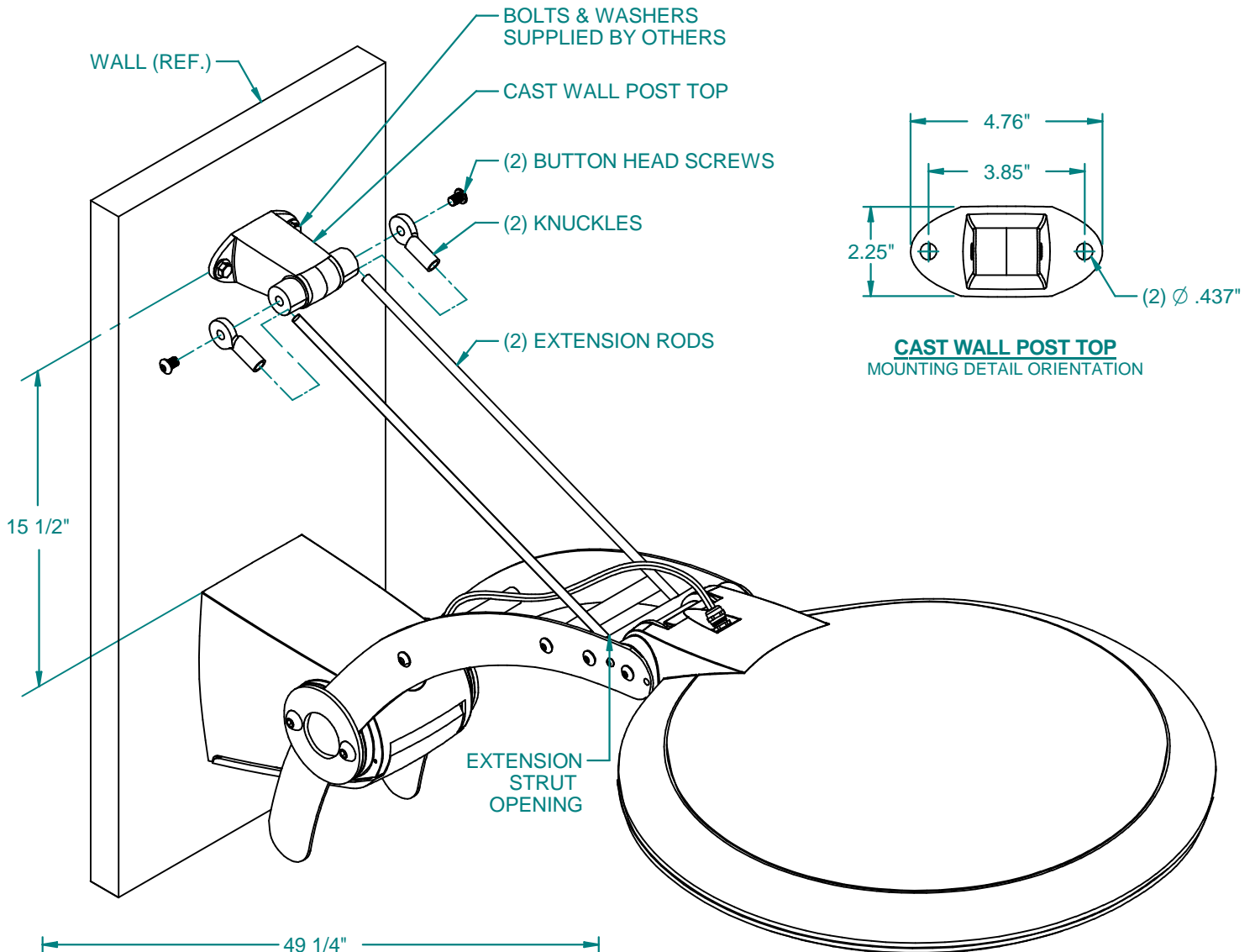
**NOTE:**

FOR 30° ANGLE MOUNTING PLEASE, SEE DWG. No. A96270, THEN FOLLOW ABOVE INSTRUCTIONS.

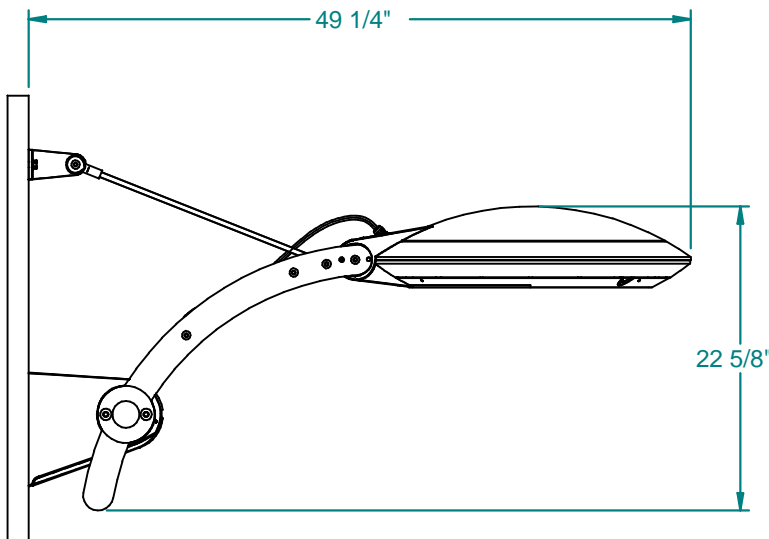
# INSTALLATION INSTRUCTIONS

CATALOG NUMBER

## WSCER



**CAST WALL POST TOP**  
MOUNTING DETAIL ORIENTATION



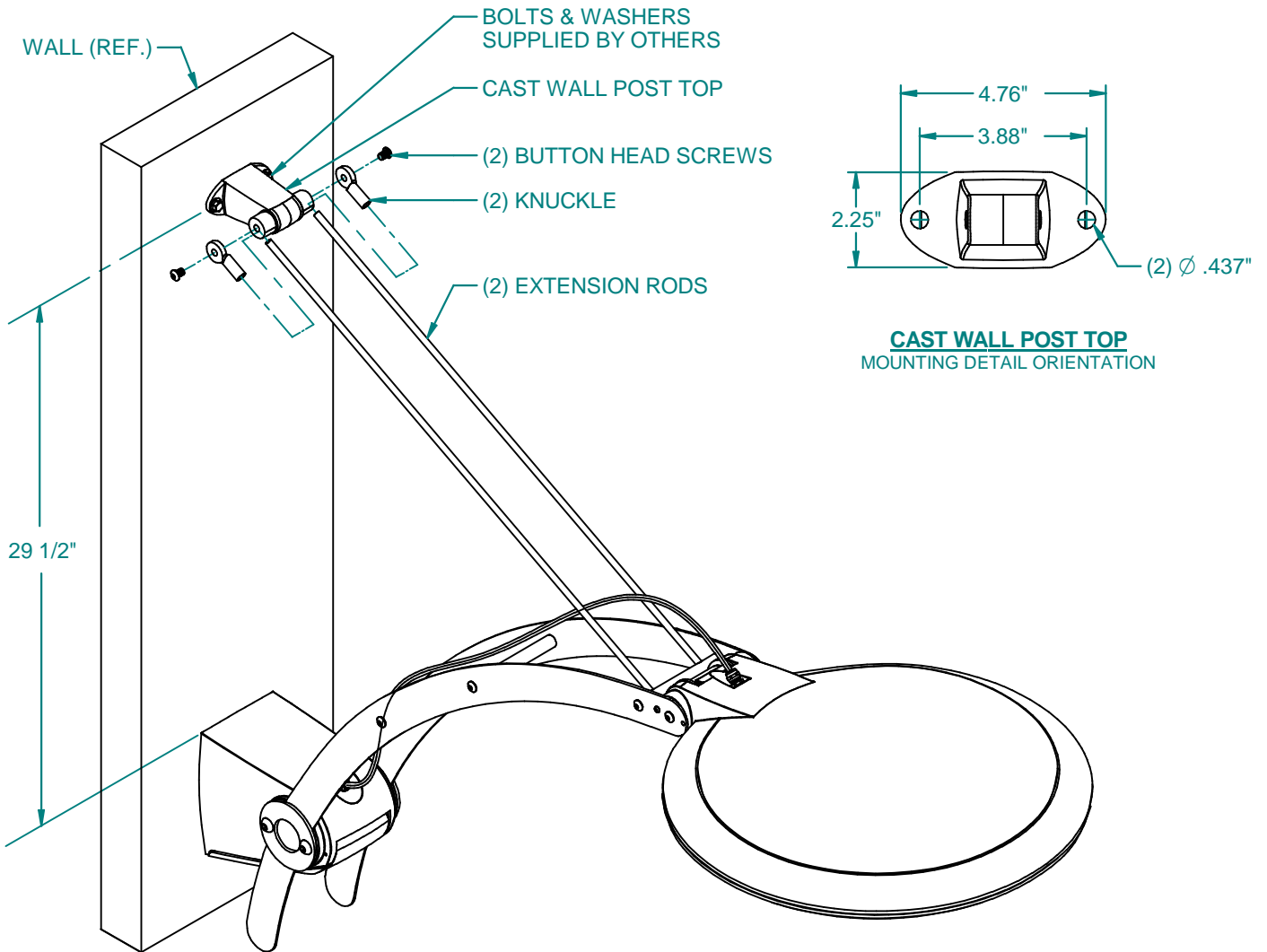
### EXTENSION INSTALLATION:

- 1) SECURE CAST WALL POST TOP TO WALL.
- 2) INSERT BOTH EXTENSION RODS INTO EXTENSION STRUT OPENINGS.
- 3) INSERT BOTH KNUCKLE OVER THE OPPOSITE END OF THE EXTENSION RODS.
- 4) ALIGN END RODS HOLES TO CAST POST TOP AND SECURE WITH (2) BUTTON HEAD SCREWS.

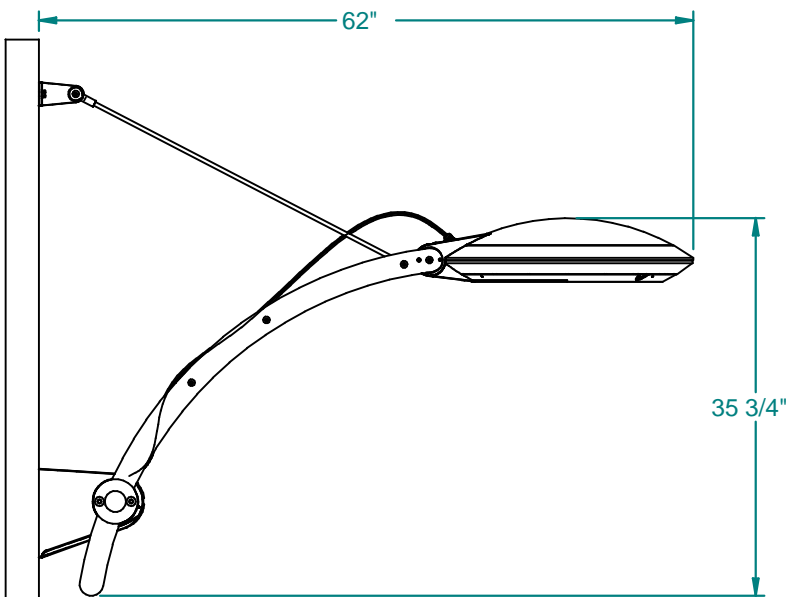
# INSTALLATION INSTRUCTIONS

CATALOG NUMBER

WLCER



**CAST WALL POST TOP**  
MOUNTING DETAIL ORIENTATION



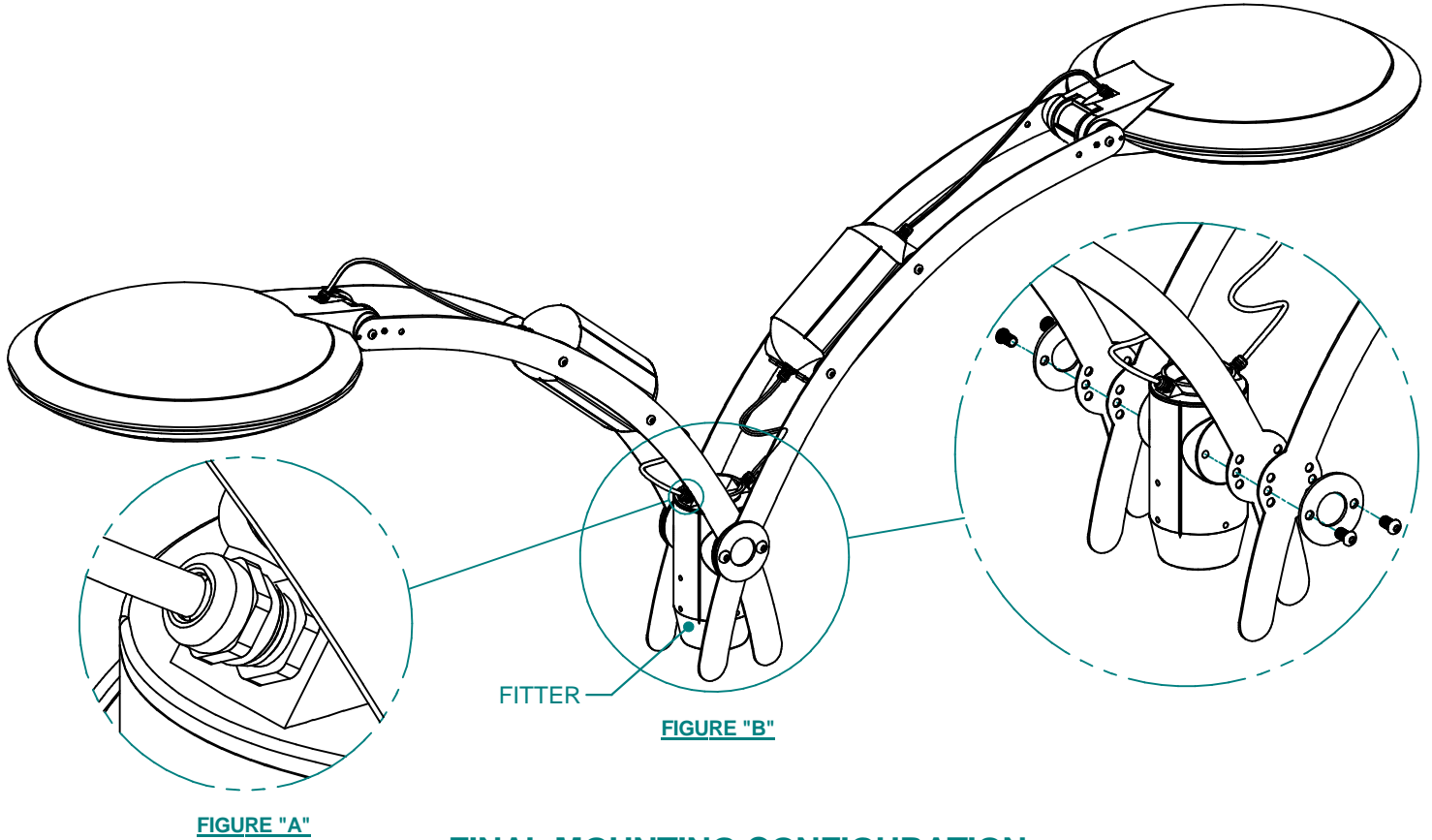
**EXTENSION INSTALLATION:**

- 1) SECURE CAST WALL POST TOP TO WALL.
- 2) INSERT BOTH EXTENSION RODS INTO EXTENSION STRUT OPENINGS.
- 3) INSERT BOTH KNUCKLE OVER THE OPPOSITE END OFF THE EXTENSION RODS.
- 4) ALIGN END RODS HOLES TO CAST POST TOP AND SECURE WITH (2) BUTTON HEAD SCREWS.

# INSTALLATION INSTRUCTIONS

CATALOG NUMBER

TLC4 / TLC5



## FINAL MOUNTING CONFIGURATION

### INSTALLATION STEPS:

- 1) ASSEMBLE ARMS TO FITTER AS SHOWN IN FIGURE "B".
- 2) SCREW BOTH CONNECTORS TO FITTER AS SHOWN IN FIGURE "A".
- 3) INSTALL CAP TO FITTER

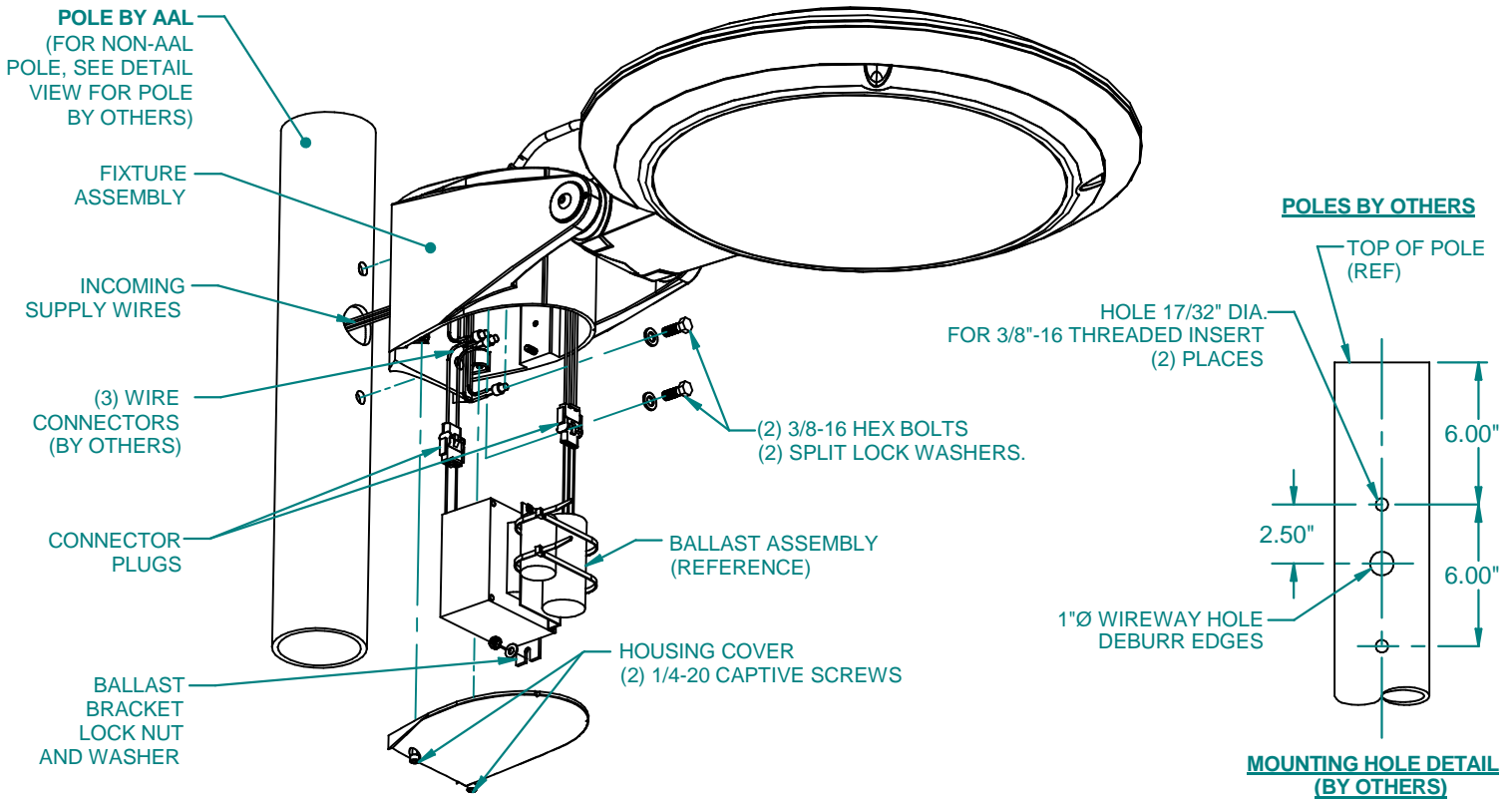
### NOTE:

FOR FIXTURE INSTALLATION, LAMP  
INSTALLATION AND SERVICING BALLAST  
PLEASE SEE DRAWING #A96268.

# INSTALLATION INSTRUCTIONS

CATALOG NUMBER

FA4 / FA5



## FIXED ARM MOUNTING (FA4/FA5)

### INSTALLATION:

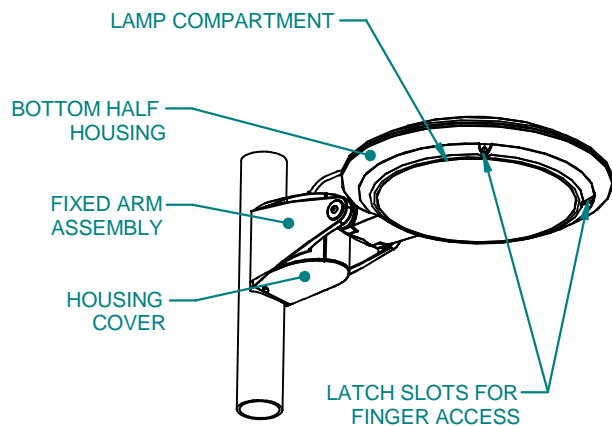
1. TURN POWER OFF.
2. REMOVE HOUSING COVER BY LOOSENING (2) 1/4-20 CAPTIVE SCREWS.
3. REMOVE BALLAST BRACKET LOCK NUT AND WASHER, CAREFULLY LOWER BALLAST ASSEMBLY AND UNPLUG BOTH CONNECTORS. SET BALLAST ASIDE.
4. PULL INCOMING WIRE LEADS THROUGH WIRE WAY AND SECURE FIXTURE ASS'Y TO POLE WITH (2) 3/8-16 HEX BOLTS AND LOCK WASHERS.
5. RECONNECT BOTH PLUGS AND SECURE BALLAST ASSEMBLY WITH LOCK NUT AND WASHER.
6. MAKE WIRE CONNECTIONS FROM INCOMING SUPPLY TO FIXTURE ASS'Y.
7. SECURE HOUSING COVER WITH (2) 1/4-20 CAPTIVE SCREWS.
8. INSTALLATION COMPLETE.

### BALLAST SERVICING:

1. TURN POWER OFF.
2. REMOVE HOUSING COVER BY LOOSENING (2) 1/4-20 CAPTIVE SCREWS.
3. REMOVE BALLAST BRACKET LOCK NUT AND WASHER, CAREFULLY LOWER BALLAST ASSEMBLY AND UNPLUG BOTH CONNECTORS. SERVICE BALLAST.
4. RE-ASSEMBLE BALLAST AND CONNECTORS, AND SECURE WITH WASHER AND LOCK NUT.
5. SECURE HOUSING COVER WITH (2) 1/4-20 CAPTIVE SCREWS.
6. SERVICE COMPLETE.

### RE-LAMPING:

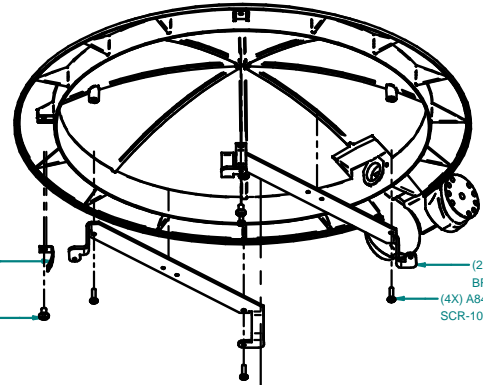
1. TO INSTALL LAMP, INSERT FINGERS INTO SLOTS AND PULL BOTH LATCHES BACK SIMULTANEOUSLY.
2. OPEN THE BOTTOM HALF HOUSING AND INSTALL PROPER LAMP (BY OTHERS).
3. CLOSE BOTTOM HALF HOUSING.
4. INSTALLATION COMPLETE.



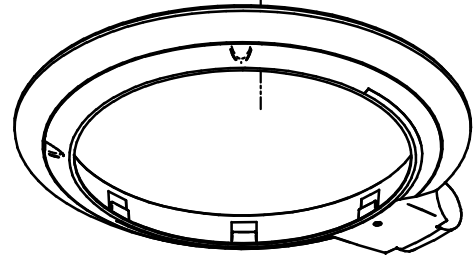
# INSTALLATION INSTRUCTIONS

CATALOG NUMBER

**FLEX**



(2X) A58395-1 LATCH  
(2X) A84113 SCR-1/4-20x3/8  
(2X) 93024016 BRACKET  
(4X) A84346 SCR-10-24 X5/8

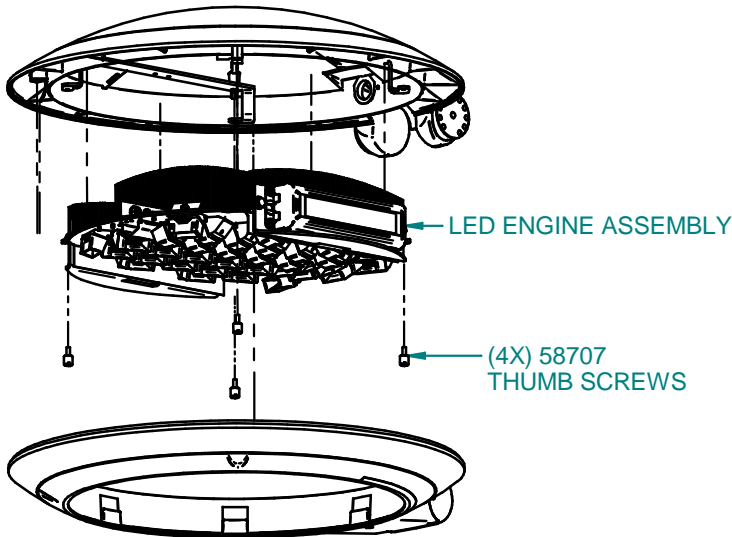


## STEP 1:

1. TURN OFF POWER TO THE UNIT AND TAKE PROPER SAFETY PRECAUTION.
2. OPEN LENS FRAME WITH HAND.
3. DISCONNECT AND REMOVE ALL BALLASTS AND DRIVERS.

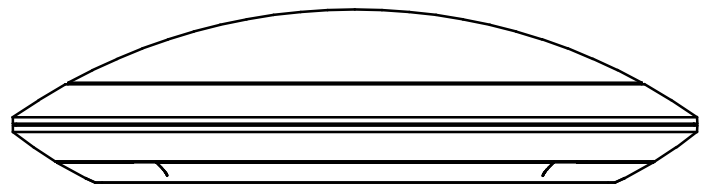
## STEP 2:

1. REMOVE INTERIOR LAMPING
2. INSTALL BRACKETS AS SHOWN.
3. REPLACE LATCH AS SHOWN



LED ENGINE ASSEMBLY

(4X) 58707 THUMB SCREWS



## STEP 3:

1. CONNECT LIGHT ENGINE WIRING TO FIXTURE.
2. PLACE LED ENGINE ASSEMBLY ON BRACKETS AS SHOWN AND TIGHTEN THUMB SCREWS TO SECURE.
3. CLOSE DOME AND SECURE WITH LATCH.

## STEP 4:

1. INSTALLATION COMPLETE.