

Kick™ Installation Guide

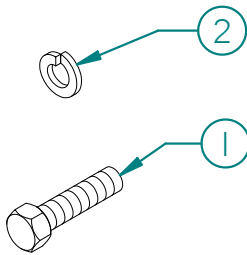
K4 & K5 - Small & Medium Scale Fixture



WARNING: Fixtures must be grounded in accordance with local codes or the National Electrical Code. Failure to do so may result in serious personal injury.

MAINTENANCE: A regularly scheduled maintenance program should be established to retain optimum light output and reduce heat retention. Dusting with a soft, clean, dry cloth is normally sufficient for the optics.

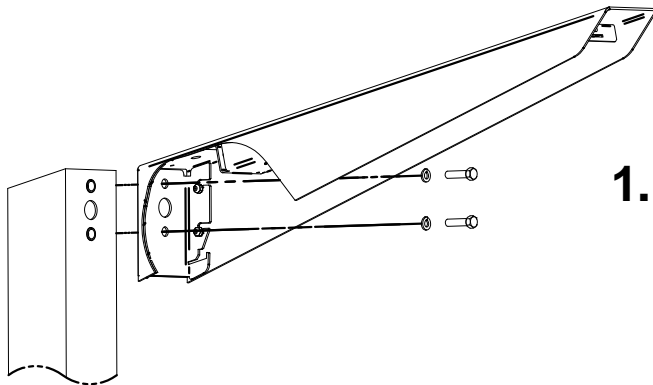
CAUTION: All wiring must be done by a qualified electrician. KEEP THIS SHEET FOR FUTURE REFERENCE.



Tools Required:

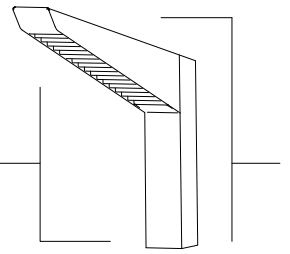
1. 9/16" Socket & Ratchet Arm
2. Wire connections to incoming power (others)
3. Silicone Adhesive (others)
4. 3/16" Allen Wrench (Tenon Mount Option)

2	2	58225	3/8" SPLIT-RING WASHER
1	2	93005220	SCREW 3/8-16 X 1-1/2"
ITEM #	QTY	PART #	DESCRIPTION



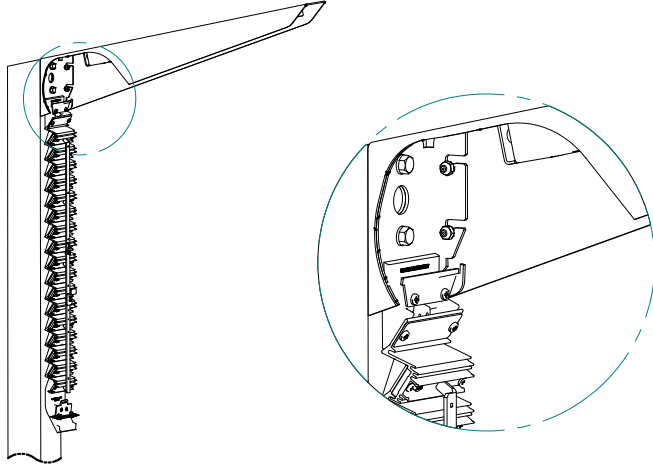
1. MOUNT FIXTURE HOUSING

1. Mount fixture to pole with provided 3/8-16 Screws and 3/8" split-ring washers.
2. Tighten screws until washers are compressed. (Do not over-tighten.)



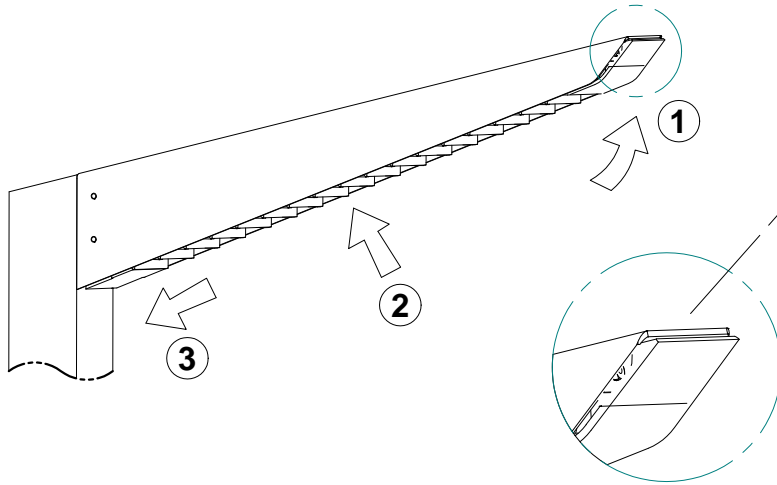
Kick™ Installation Guide

K4 & K5 - Small & Medium Scale Fixture



2. ELECTRICAL CONNECTIONS

1. Hang LED array in service position and make electrical connections.
2. See Wiring Diagram, Page 4.

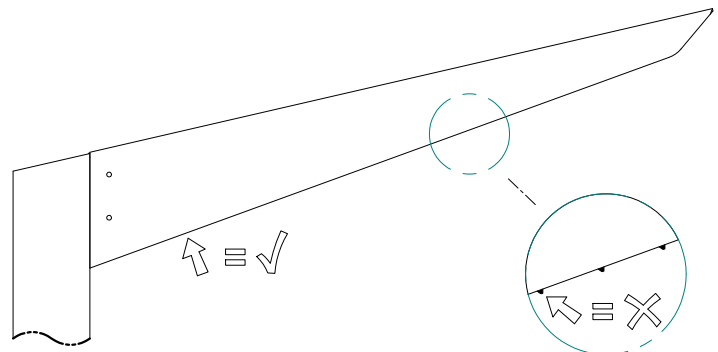


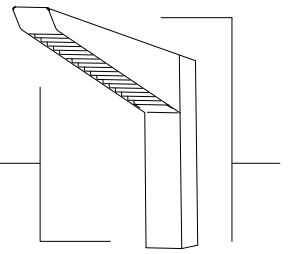
3. CLOSE FIXTURE

1. Swing up LED array so the top nose is just past the fixture tip.
2. Push up in middle of LED Array to be sure mid-brace catches on fixture body.
3. Slide LED array down into place. You will hear an audible *CLICK* when locked.

4. VERIFY INSTALLATION

1. LED array should be neatly tucked inside housing. If not, the mid-brace may have been missed.





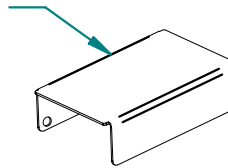
Kick™ Installation Guide

K4 & K5 - Small & Medium Scale Fixture

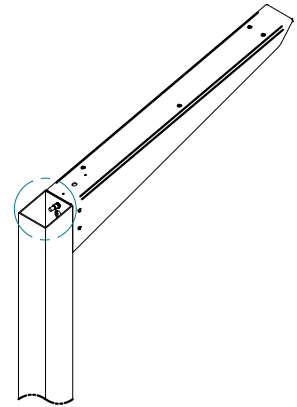
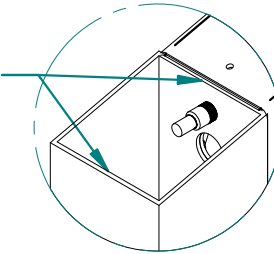
5. POLE CAP

1. Apply a small amount of silicone on the pole top to avert water ingress and to help secure the cover.

Cover
(Supplied with pole assembly)

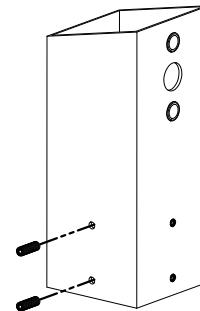


Silicone

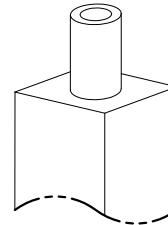
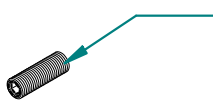


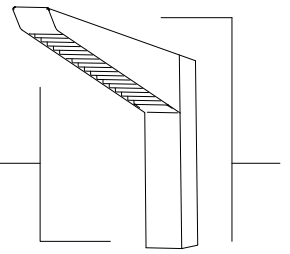
TENON MOUNT ADAPTER (OPTIONAL ACCESSORY)

1. Tenon Mount Adapter mounts to pole (others) with eight (8) set screws, and fixture installation is as normal.



(8X) A84039
SET SCREW 5/16-18 X 1"





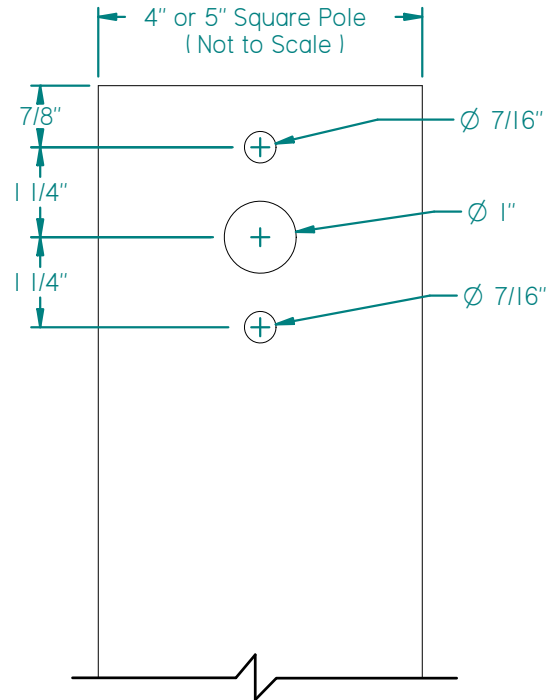
Kick™ Installation Guide

K4 & K5 - Small & Medium Scale Fixture

DRILL PATTERN - (POLE BY OTHERS)

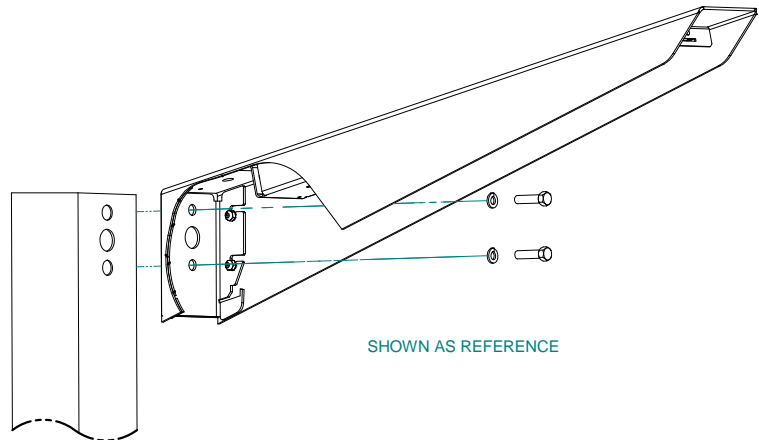
1. DRILL PATTERN

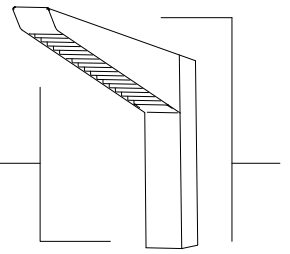
The drill pattern is the same for both K4 and K5.



2. MOUNT FIXTURE HOUSING

Recommended Hardware: 3/8" Stainless Steel Bolt, with split-ring washer and nut (others).





Kick™ Installation Guide

K4 & K5 - Small & Medium Scale Fixture

K4 & K5 WIRING DIAGRAM

