

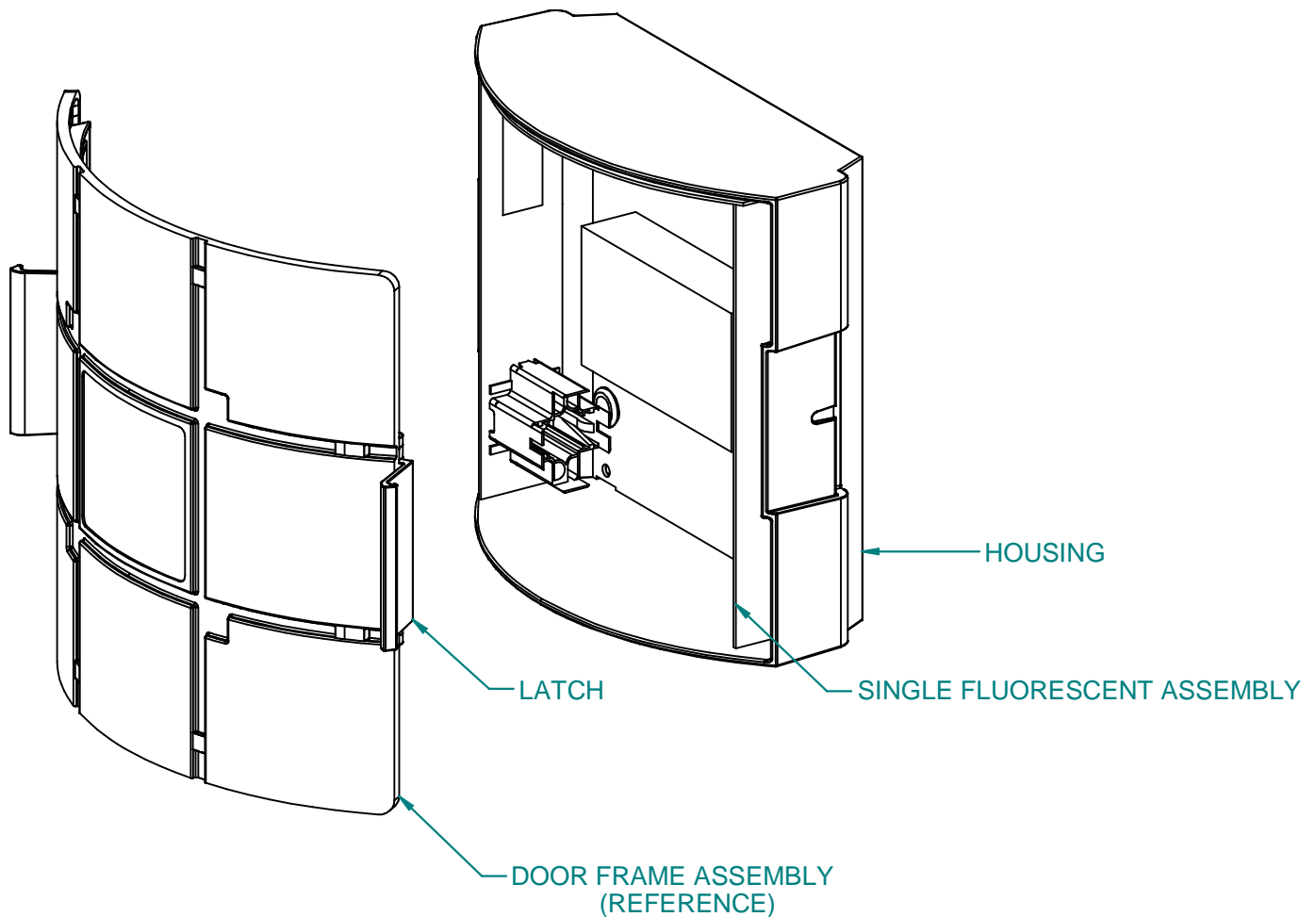
# INSTALLATION INSTRUCTIONS

CATALOG NUMBER

ME1

## RELAMP:

- 1) TURN OFF POWER.
- 2) REMOVE DOOR FRAME ASSEMBLY BY UNLATCHING BOTH LATCHES ON EACH SIDE SIMULTANEOUSLY.
- 3) INSTALL PROPER LAMP AS REQUIRED, **(LAMP BY OTHERS)**.
- 4) PLACE DOOR FRAME ASSEMBLY OVER HOUSING AND SECURE LATCHES TO HOUSING.
- 5) INSTALLATION COMPLETE.



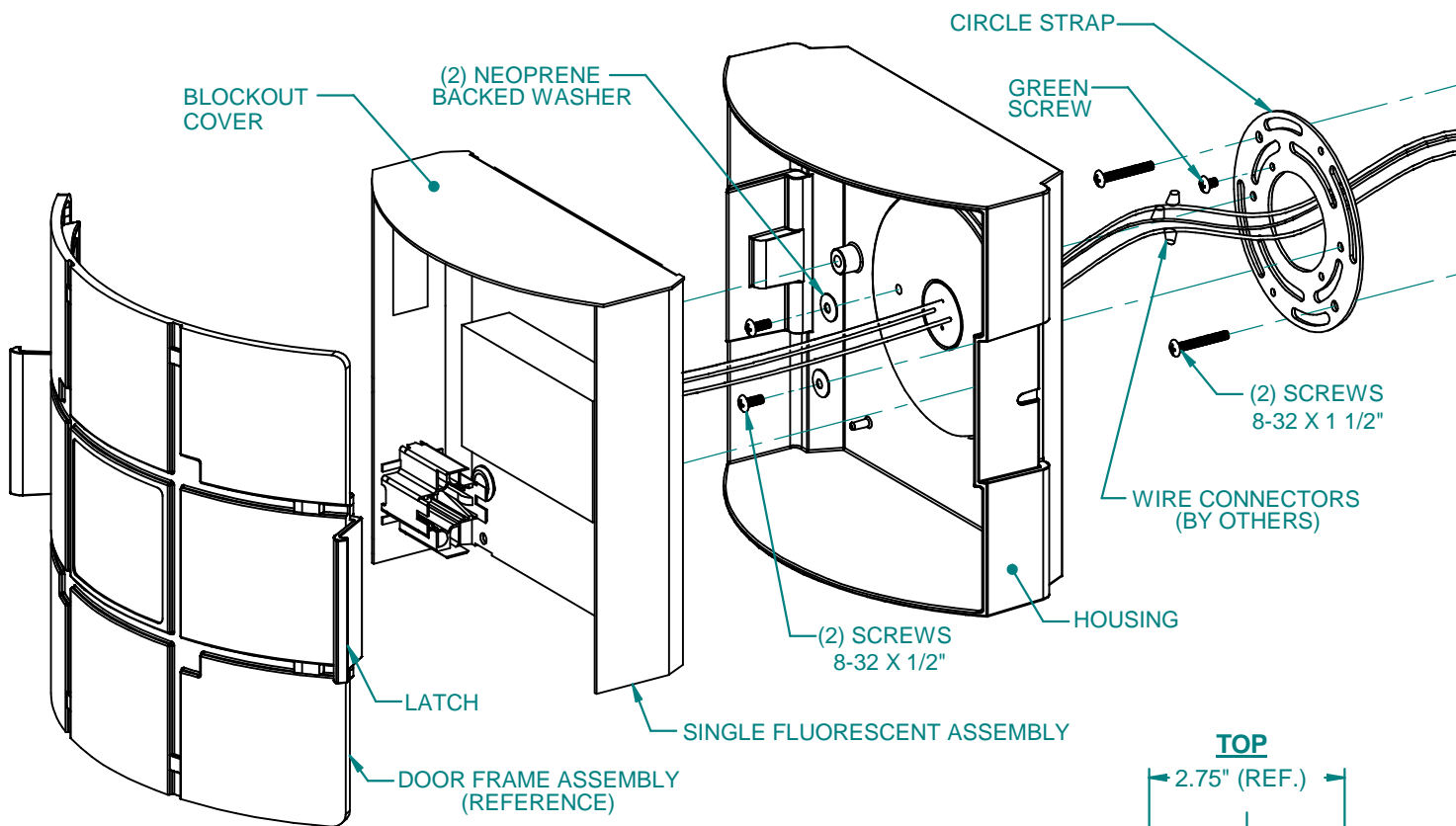
# INSTALLATION INSTRUCTIONS

CATALOG NUMBER

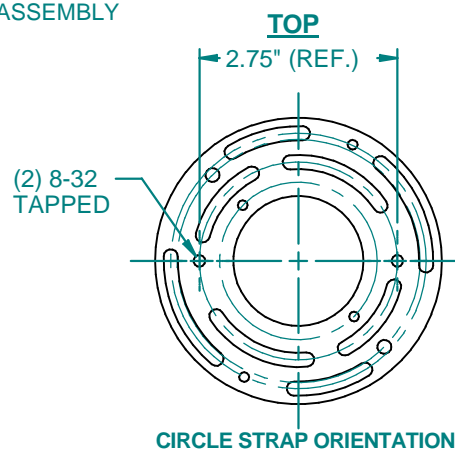
**ME1**

## INSTALLATION STEPS:

- 1) TURN OFF POWER.
- 2) PLACE CIRCLE STRAP OVER J-BOX IN WALL, AND SECURE WITH (2) STAINLESS STEEL SCREWS AS SHOWN.
- 3) MAKE WIRE CONNECTIONS FROM FIXTURE TO J-BOX AS SHOWN ( WHITE TO COMMON, BLACK TO LINE). MAKE SURE TO SECURE GROUND WIRE TO CIRCLE STRAP AT J-BOX.
- 4) DETERMINE DIRECTION OF LIGHT CUT-OFF. IF BOTH UP & DOWN LIGHT ARE DESIRED, REMOVE THE LIGHT BLOCKOUT COVER.
- 5) REMOVE DOOR FRAME ASSEMBLY BY UNLATCHING BOTH LATCHES ON EACH SIDE SIMULTANEOUSLY.
- 6) REMOVE THE SINGLE FLUORESCENT ASSEMBLY BY LOOSING THE (2) 8-32 X 1/4" PHILLIPS SCREWS.

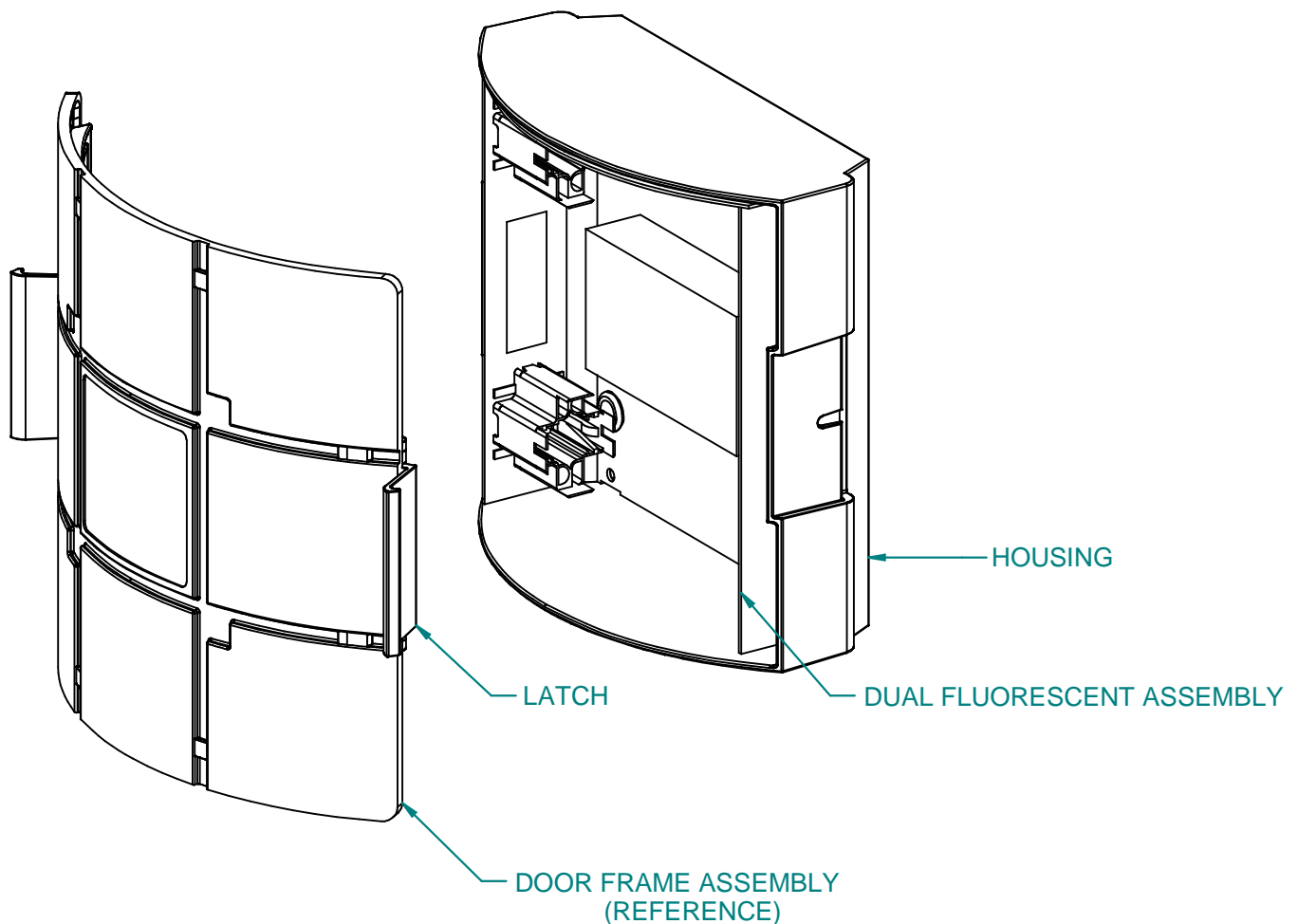


- 7) SECURE HOUSING TO CIRCLE STRAP BY INSERTING (2) SCREWS THRU (2) NEOPRENE BACKED WASHERS THRU OPENINGS IN HOUSING AND SCREW INTO CIRCLE STRAP.
- 8) INSTALL SINGLE FLUORESCENT ASSEMBLY BACK INTO HOUSING WITH (2) 8-32 X 1/4" PHILLIPS SCREWS.
- 9) PLACE DOOR FRAME ASSEMBLY OVER HOUSING AND SECURE LATCHES TO HOUSING.
- 10) INSTALLATION COMPLETE.



## RELAMP:

- 1) TURN OFF POWER.
- 2) REMOVE DOOR FRAME ASSEMBLY BY UNLATCHING BOTH LATCHES ON EACH SIDE SIMULTANEOUSLY.
- 3) INSTALL PROPER LAMP AS REQUIRED, (LAMP BY OTHERS).
- 4) PLACE DOOR FRAME ASSEMBLY OVER HOUSING AND SECURE LATCHES TO HOUSING.
- 5) INSTALLATION COMPLETE.



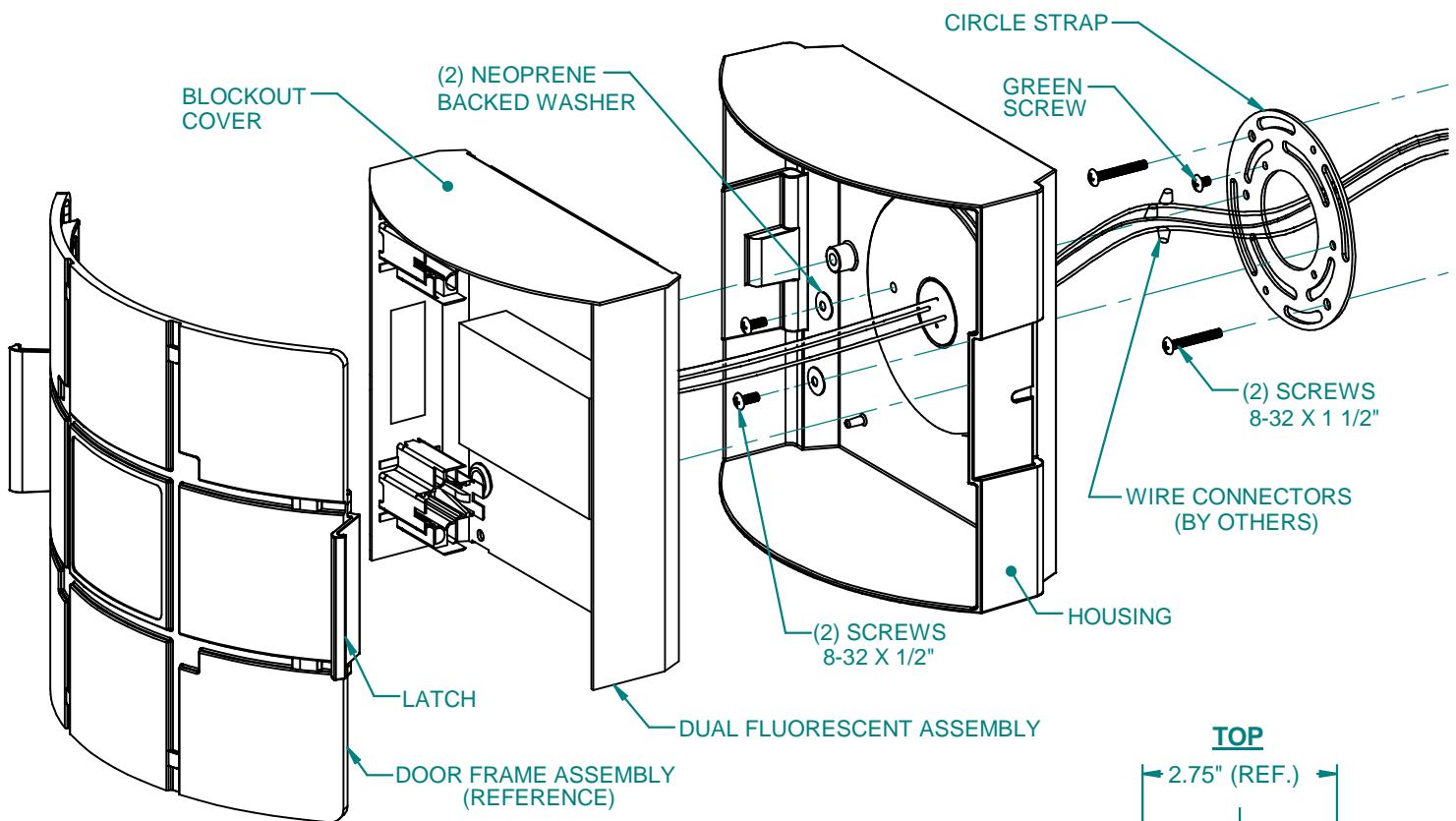
# INSTALLATION INSTRUCTIONS

CATALOG NUMBER

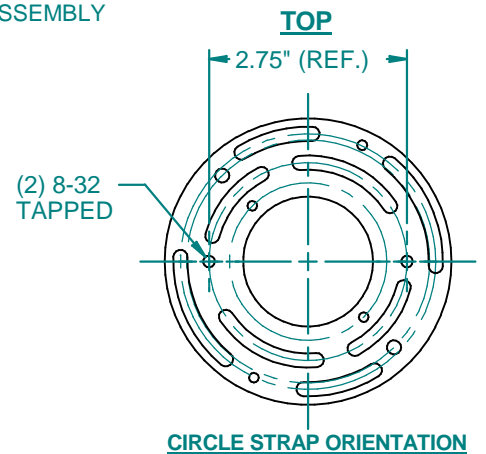
**ME2**

## INSTALLATION STEPS:

- 1) TURN OFF POWER.
- 2) PLACE CIRCLE STRAP OVER J-BOX IN WALL, AND SECURE WITH (2) STAINLESS STEEL SCREWS AS SHOWN.
- 3) MAKE WIRE CONNECTIONS FROM FIXTURE TO J-BOX AS SHOWN ( WHITE TO COMMON, BLACK TO LINE). MAKE SURE TO SECURE GROUND WIRE TO CIRCLE STRAP AT J-BOX.
- 4) DETERMINE DIRECTION OF LIGHT CUT-OFF. IF BOTH UP & DOWN LIGHT ARE DESIRED, REMOVE THE LIGHT BLOCKOUT COVER.
- 5) REMOVE DOOR FRAME ASSEMBLY BY UNLATCHING BOTH LATCHES ON EACH SIDE SIMULTANEOUSLY.
- 6) REMOVE THE DUAL FLUORESCENT ASSEMBLY BY LOSING THE (2) 8-32 X 3/8" PHILLIPS SCREWS.



- 7) SECURE HOUSING TO CIRCLE STRAP BY INSERTING (2) SCREWS THRU (2) NEOPRENE BACKED WASHERS THRU OPENINGS IN HOUSING AND SCREW INTO CIRCLE STRAP.
- 8) INSTALL DUAL FLUORESCENT ASSEMBLY BACK INTO HOUSING WITH (2) 8-32 X 3/8" PHILLIPS SCREWS.
- 9) PLACE DOOR FRAME ASSEMBLY OVER HOUSING AND SECURE LATCHES TO HOUSING.
- 10) INSTALLATION COMPLETE.



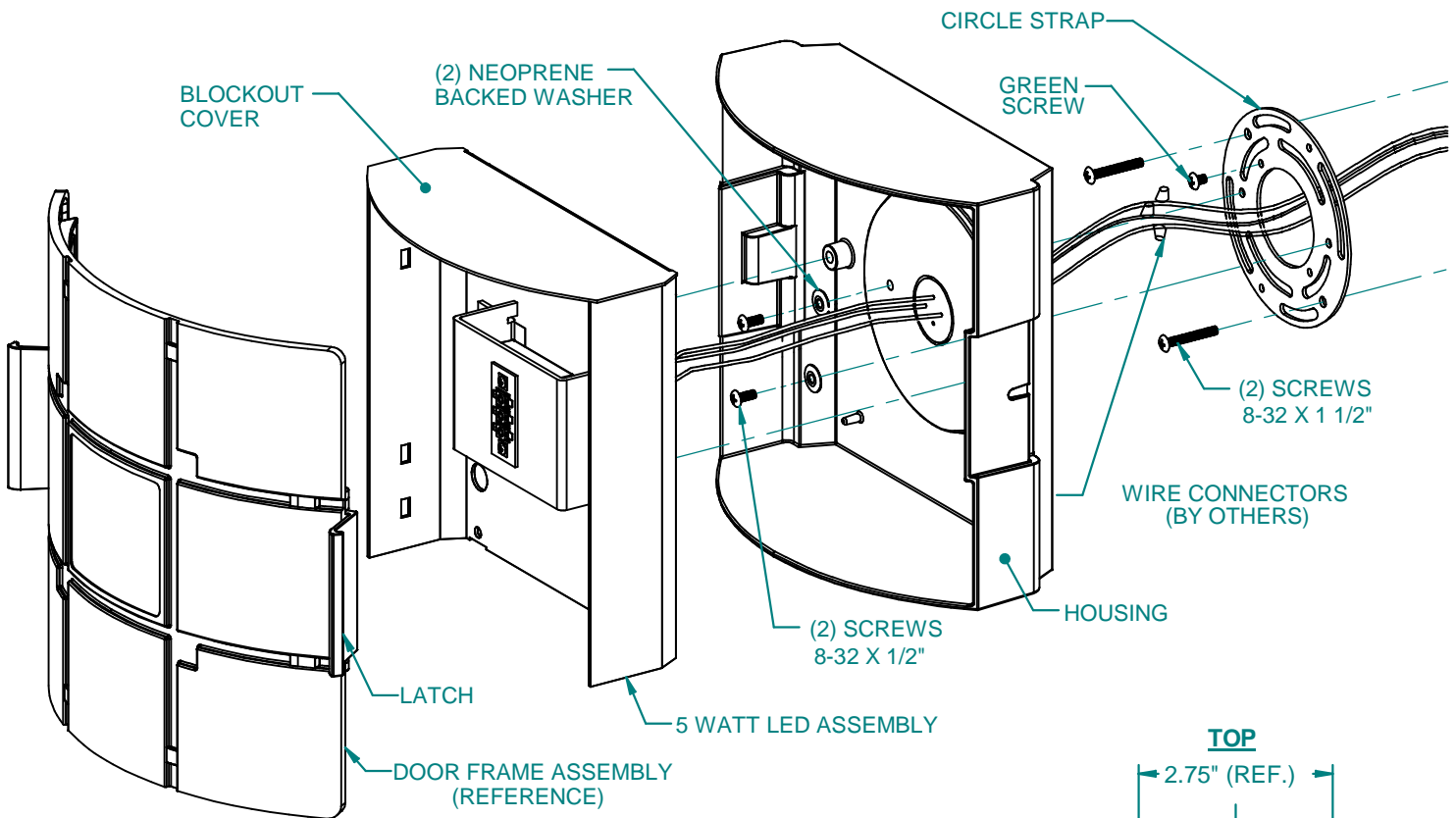
# INSTALLATION INSTRUCTIONS

CATALOG NUMBER

## ME-LED

### INSTALLATION STEPS:

- 1) TURN OFF POWER.
- 2) PLACE CIRCLE STRAP OVER J-BOX IN WALL, AND SECURE WITH (2) STAINLESS STEEL SCREWS AS SHOWN.
- 3) MAKE WIRE CONNECTIONS FROM FIXTURE TO J-BOX AS SHOWN ( WHITE TO COMMON, BLACK TO LINE). MAKE SURE TO SECURE GROUND WIRE TO CIRCLE STRAP AT J-BOX.
- 4) DETERMINE DIRECTION OF LIGHT CUT-OFF. IF BOTH UP & DOWN LIGHT ARE DESIRED, REMOVE THE LIGHT BLOCKOUT COVER.
- 5) REMOVE DOOR FRAME ASSEMBLY BY UNLATCHING BOTH LATCHES ON EACH SIDE SIMULTANEOUSLY.
- 6) REMOVE THE 5 WATT LED ASSEMBLY BY LOSING THE (2) 8-32 X 1/4" PHILLIPS SCREWS.



- 7) SECURE HOUSING TO CIRCLE STRAP BY INSERTING (2) SCREWS THRU (2) NEOPRENE BACKED WASHERS THRU OPENINGS IN HOUSING AND SCREW INTO CIRCLE STRAP.
- 8) INSTALL 5 WATT LED ASSEMBLY BACK INTO HOUSING WITH (2) 8-32 X 1/4" PHILLIPS SCREWS.
- 9) PLACE DOOR FRAME ASSEMBLY OVER HOUSING AND SECURE LATCHES TO HOUSING.
- 10) INSTALLATION COMPLETE.

