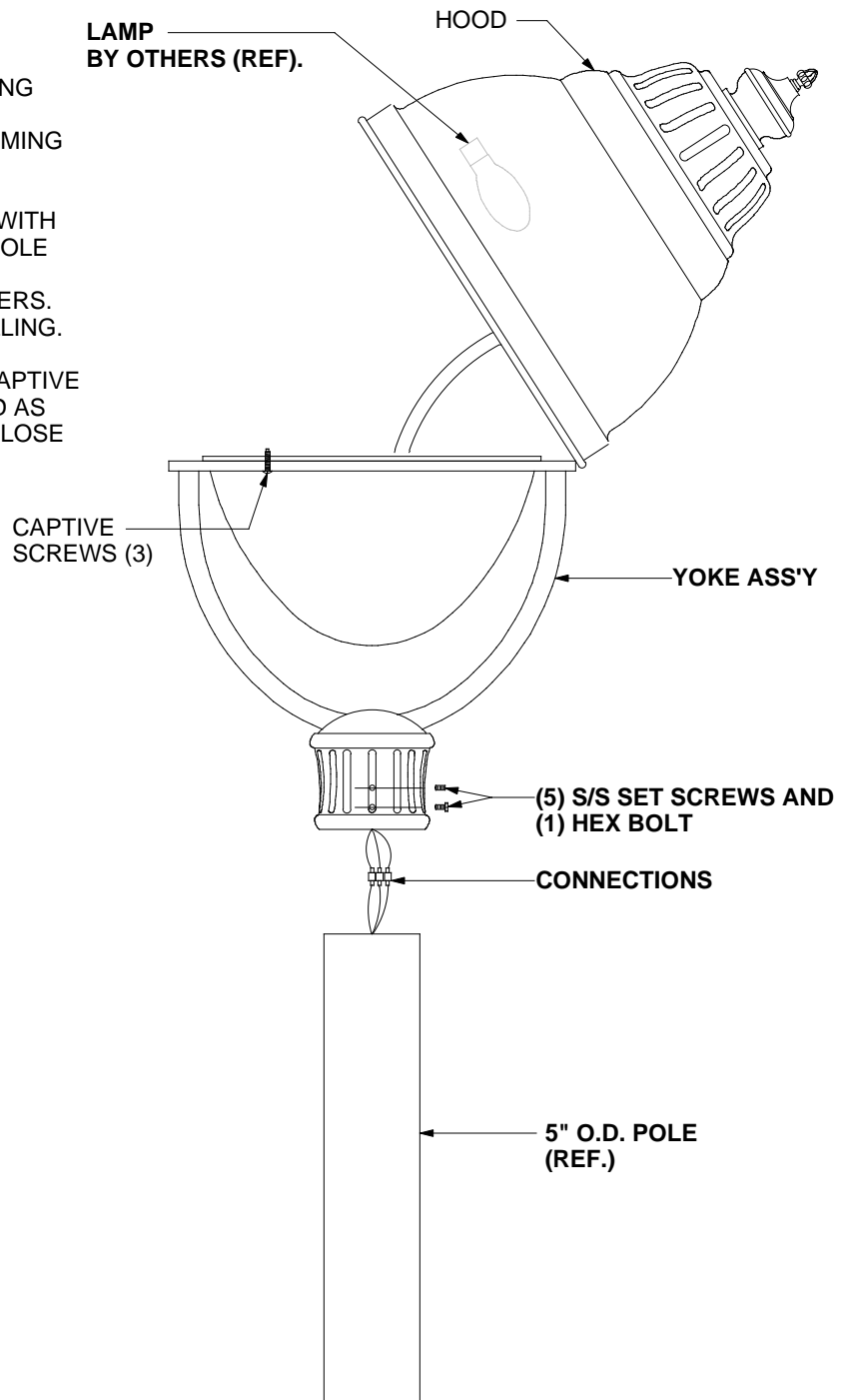


# INSTALLATION INSTRUCTIONS

## INSTALLATION INSTRUCTIONS

- 1) TURN OFF POWER.
- 2) MAKE WIRE CONNECTIONS FROM INCOMING SUPPLY TO FIXTURE AS SHOWN. (NOTE- ASSEMBLY MUST BE GROUNDED TO INCOMING EQUIPMENT GROUND SUPPLY.
- 3) SLIP FIXTURE OVER POLE TOP. SECURE WITH (5) S/S SET SCREWS AND (1) HEX BOLT. HOLE FOR 3/8-16 S/S HEX BOLT MUST BE FIELD DRILLED AND TAPPED INTO POLE BY OTHERS. BOLT PREVENTS FIXTURE FROM WINDMILLING.
- 4) TO INSTALL LAMP, LOOSEN THE THREE CAPTIVE SCREWS FROM LENS FRAME, OPEN HOOD AS SHOWN AND INSTALL REQUIRED LAMP. CLOSE HOOD AND SECURE.



**A** RCHITECTURAL

**A** REA

**L** IGHTING

14249 Artesia Blvd. P.O. Box 1869  
 La Mirada CA. 90638-1869  
 714-994-2700 fax 714-994-0522

CATALOG NUMBER  
**PRM4-PM-H\***

PART NO.  
**A96212**

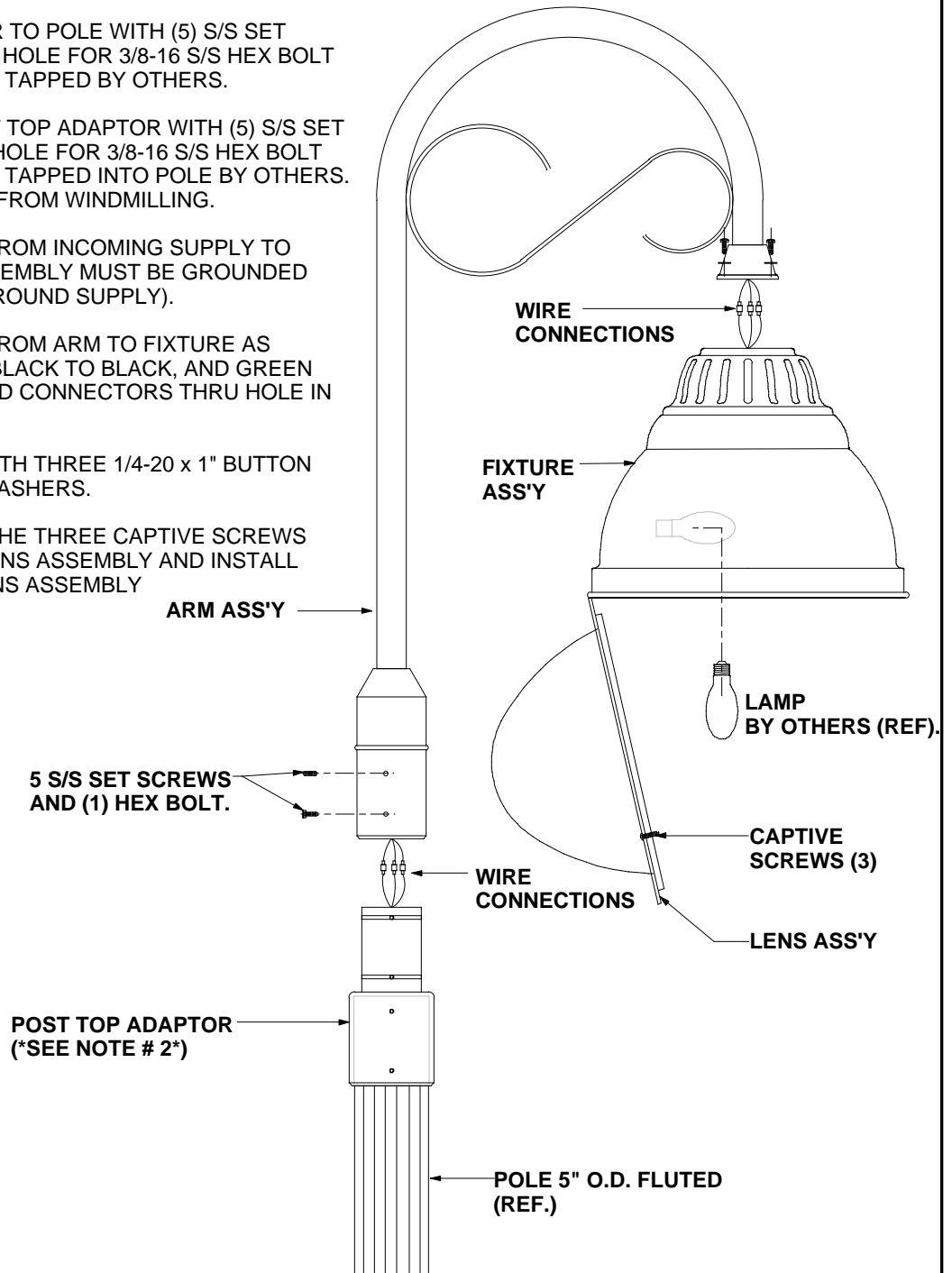
DATE APPRVD

DATE REV

# INSTALLATION INSTRUCTIONS

## INSTALLATION STEPS:

- 1) TURN POWER OFF.
- 2) SECURE POST TOP ADAPTOR TO POLE WITH (5) S/S SET SCREWS AND (1) HEX BOLT. HOLE FOR 3/8-16 S/S HEX BOLT MUST BE FIELD DRILLED AND TAPPED BY OTHERS.
- 3) SECURE ARM ASS'Y TO POST TOP ADAPTOR WITH (5) S/S SET SCREWS AND (1) HEX BOLT. HOLE FOR 3/8-16 S/S HEX BOLT MUST BE FIELD DRILLED AND TAPPED INTO POLE BY OTHERS. BOLT PREVENTS LUMINAIRE FROM WINDMILLING.
- 4) MAKE WIRE CONNECTIONS FROM INCOMING SUPPLY TO ARM AS SHOWN. (NOTE- ASSEMBLY MUST BE GROUNDED TO INCOMING EQUIPMENT GROUND SUPPLY).
- 5) MAKE WIRE CONNECTIONS FROM ARM TO FIXTURE AS SHOWN. (WHITE TO WHITE, BLACK TO BLACK, AND GREEN TO GREEN). PUSH WIRES AND CONNECTORS THRU HOLE IN TOP OF FIXTURE.
- 6) SECURE FIXTURE TO ARM WITH THREE 1/4-20 x 1" BUTTON HEAD SCREWS, AND LOCK WASHERS.
- 7) TO INSTALL LAMP, LOOSEN THE THREE CAPTIVE SCREWS FROM LENS FRAME, OPEN LENS ASSEMBLY AND INSTALL REQUIRED LAMP. CLOSE LENS ASSEMBLY AND SECURE.



**A** RCHITECTURAL

**A** REA

**L** IGHING

14249 Artesia Blvd. P.O. Box 1869  
 La Mirada CA. 90638-1869  
 714-994-2700 fax 714-994-0522

CATALOG NUMBER  
**PRM4-H\*-TRA8**

PART NO.  
**A96211**

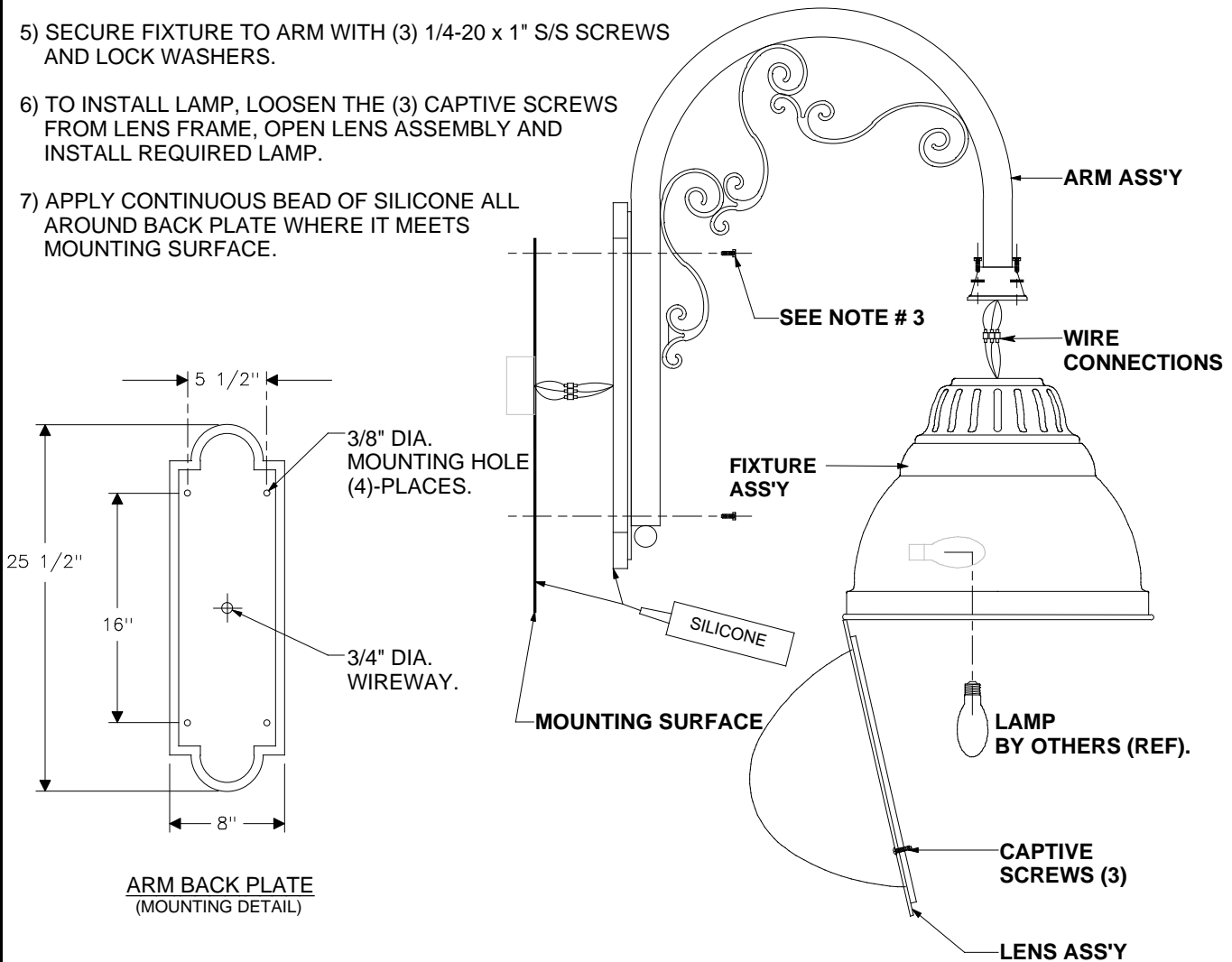
DATE APPRVD

DATE REV

# INSTALLATION INSTRUCTIONS

## INSTALLATION INSTRUCTIONS

- 1) TURN OFF POWER.
- 2) MAKE WIRE CONNECTION FROM INCOMING SUPPLY TO ARM AS SHOWN. (NOTE-ASSEMBLY MUST BE GROUNDED TO INCOMING EQUIPMENT GROUND SUPPLY).
- 3) SECURE ARM ASS'Y TO MOUNTING SURFACE (WALL). (NOTE: MOUNTING HARDWARE BY OTHERS).
- 4) MAKE WIRE CONNECTIONS FROM ARM TO FIXTURE AS SHOWN. (WHITE TO WHITE, BLACK TO BLACK, AND GREEN TO GREEN). PUSH WIRES AND CONNECTORS THRU TOP OF FIXTURE.
- 5) SECURE FIXTURE TO ARM WITH (3) 1/4-20 x 1" S/S SCREWS AND LOCK WASHERS.
- 6) TO INSTALL LAMP, LOOSEN THE (3) CAPTIVE SCREWS FROM LENS FRAME, OPEN LENS ASSEMBLY AND INSTALL REQUIRED LAMP.
- 7) APPLY CONTINUOUS BEAD OF SILICONE ALL AROUND BACK PLATE WHERE IT MEETS MOUNTING SURFACE.



**A** RCHITECTURAL  
**A** REA  
**L** IGHTING

14249 Artesia Blvd. P.O. Box 1869  
 La Mirada CA. 90638-1869  
 714-994-2700 fax 714-994-0522

CATALOG NUMBER  
**PRM4-H\*-WMA39**

PART NO.  
**A96218**

DATE APPRVD

DATE REV