

LED Upgrade Kit Installation Guide

Fixture: PROS™ - Providence Small



WARNING: Fixtures must be grounded in accordance with local codes or the National Electrical Code. Failure to do so may result in serious personal injury.

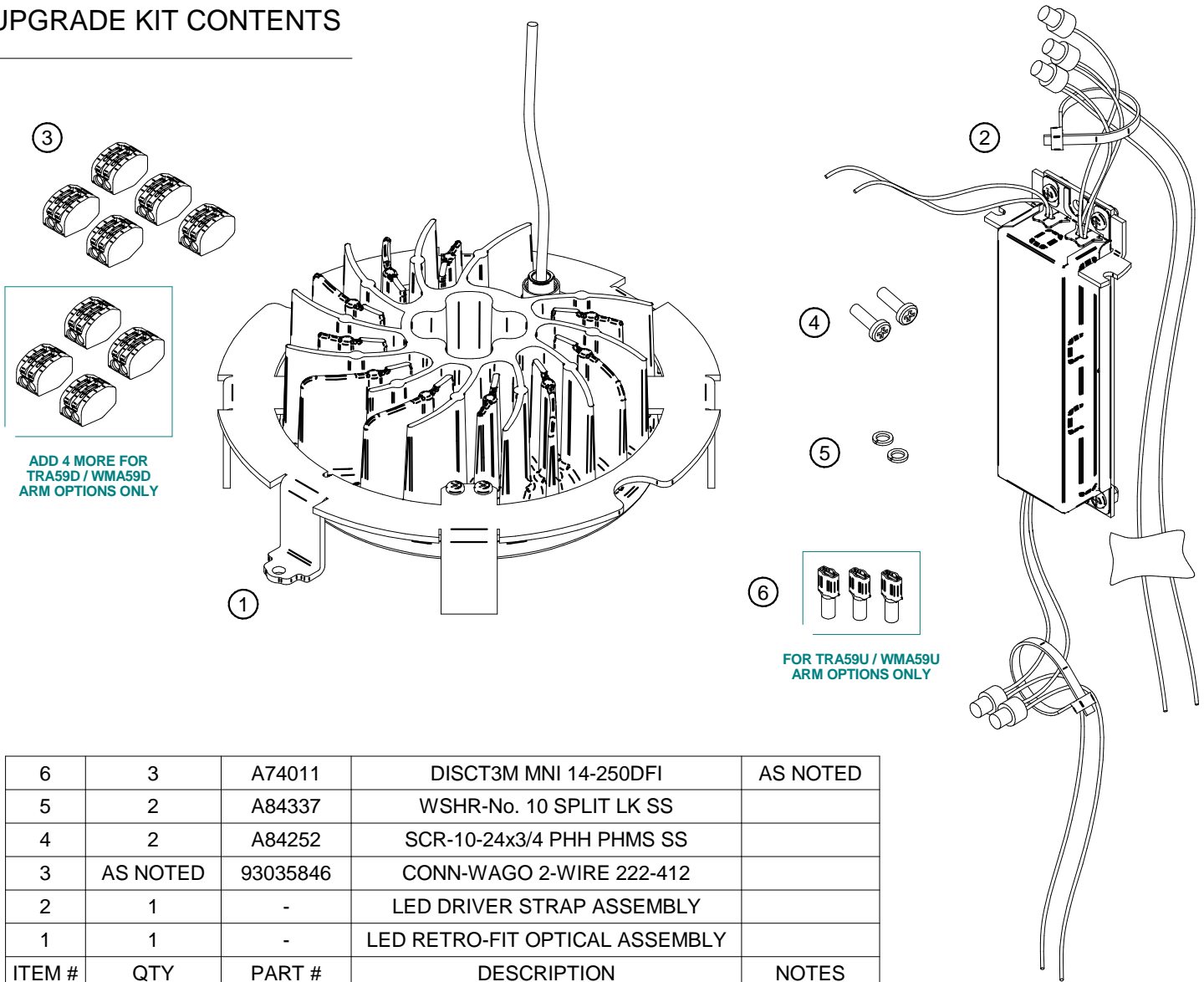
MAINTENANCE: A regularly scheduled maintenance program should be established to retain optimum light output and reduce heat retention. Dusting with a soft, clean, dry cloth is normally sufficient for the optics.

CAUTION: All wiring must be done by a qualified electrician. KEEP THIS SHEET FOR FUTURE REFERENCE.

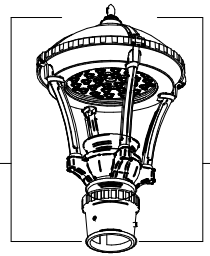
Examine all parts that are not intended to be replaced by the retrofit kit for damage and replace any damage parts prior to installation of the retrofit.

Examinez toutes les parties qui ne sont pas destinés à être remplacé par le kit d'adaptation pour les dommages et remplacer les pièces endommagées avant l'installation du kit de renovation.

UPGRADE KIT CONTENTS



6	3	A74011	DISCT3M MNI 14-250DFI	AS NOTED
5	2	A84337	WSHR-No. 10 SPLIT LK SS	
4	2	A84252	SCR-10-24x3/4 PHH PHMS SS	
3	AS NOTED	93035846	CONN-WAGO 2-WIRE 222-412	
2	1	-	LED DRIVER STRAP ASSEMBLY	
1	1	-	LED RETRO-FIT OPTICAL ASSEMBLY	
ITEM #	QTY	PART #	DESCRIPTION	NOTES



LED Upgrade Kit Installation Guide

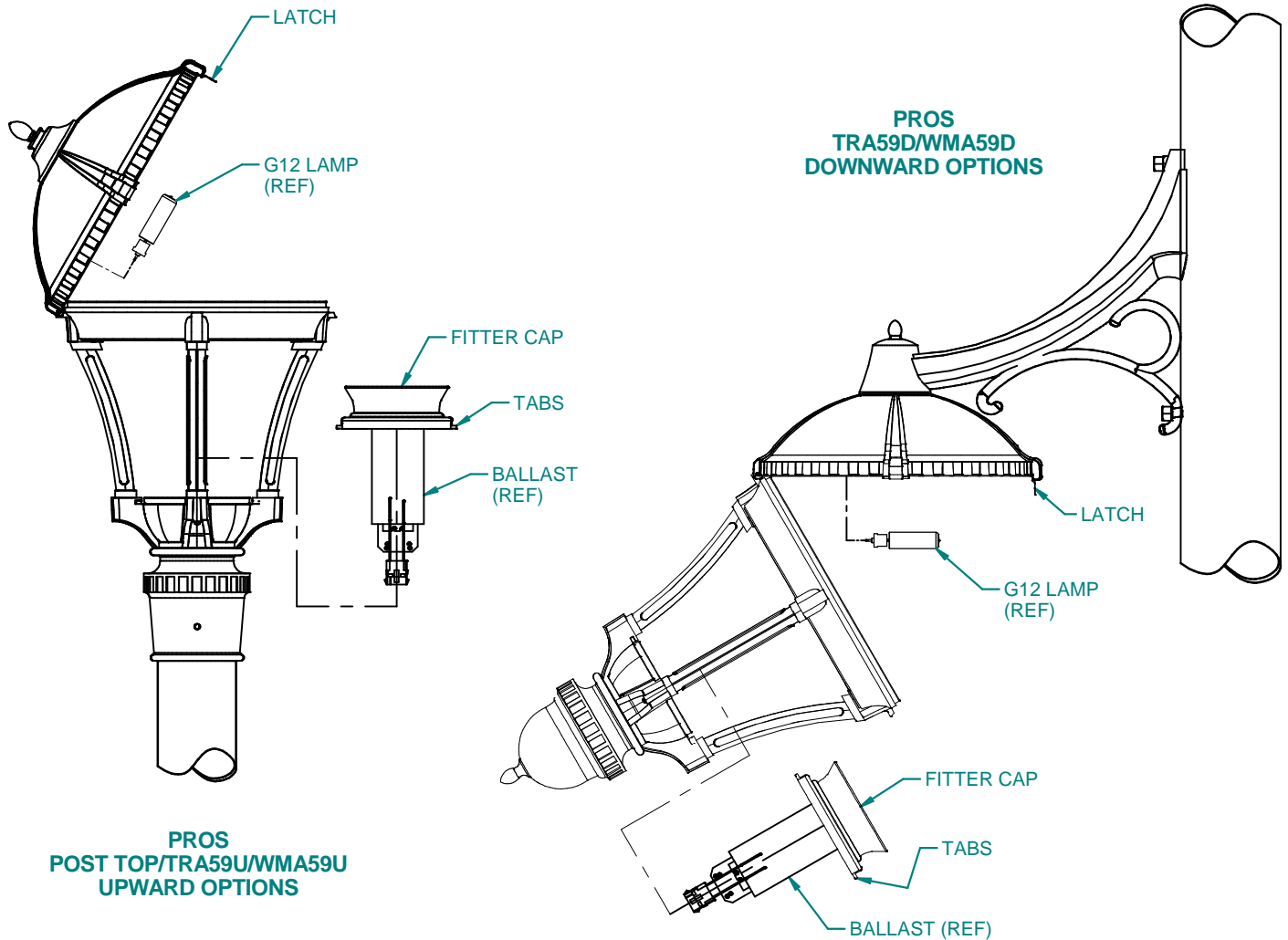
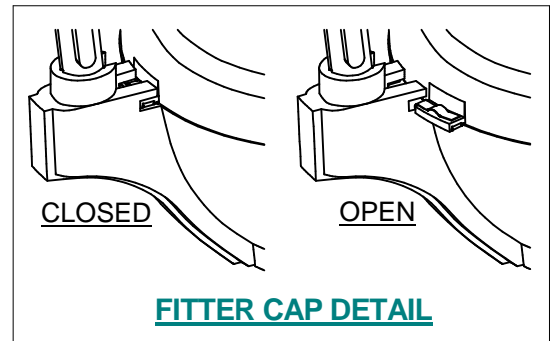
Fixture: PROS™ - Providence Small

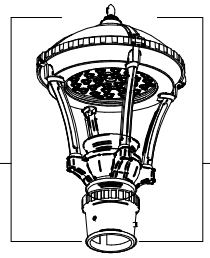


TURN OFF ALL POWER TO THE UNIT AND TAKE PROPER SAFETY PRECAUTIONS. FAILURE TO DO SO MAY RESULT IN SERIOUS PERSONAL INJURY.

STEPS: TO DIS-ASSEMBLE EXISTING ASSEMBLY:

1. Pull latch (as shown on the illustration) unplug all connectors, remove guts and discard.
2. Rotate fitter cap counter clockwise, until free from fixture (See fitter cap detail) unplug all connectors, remove guts and discard.





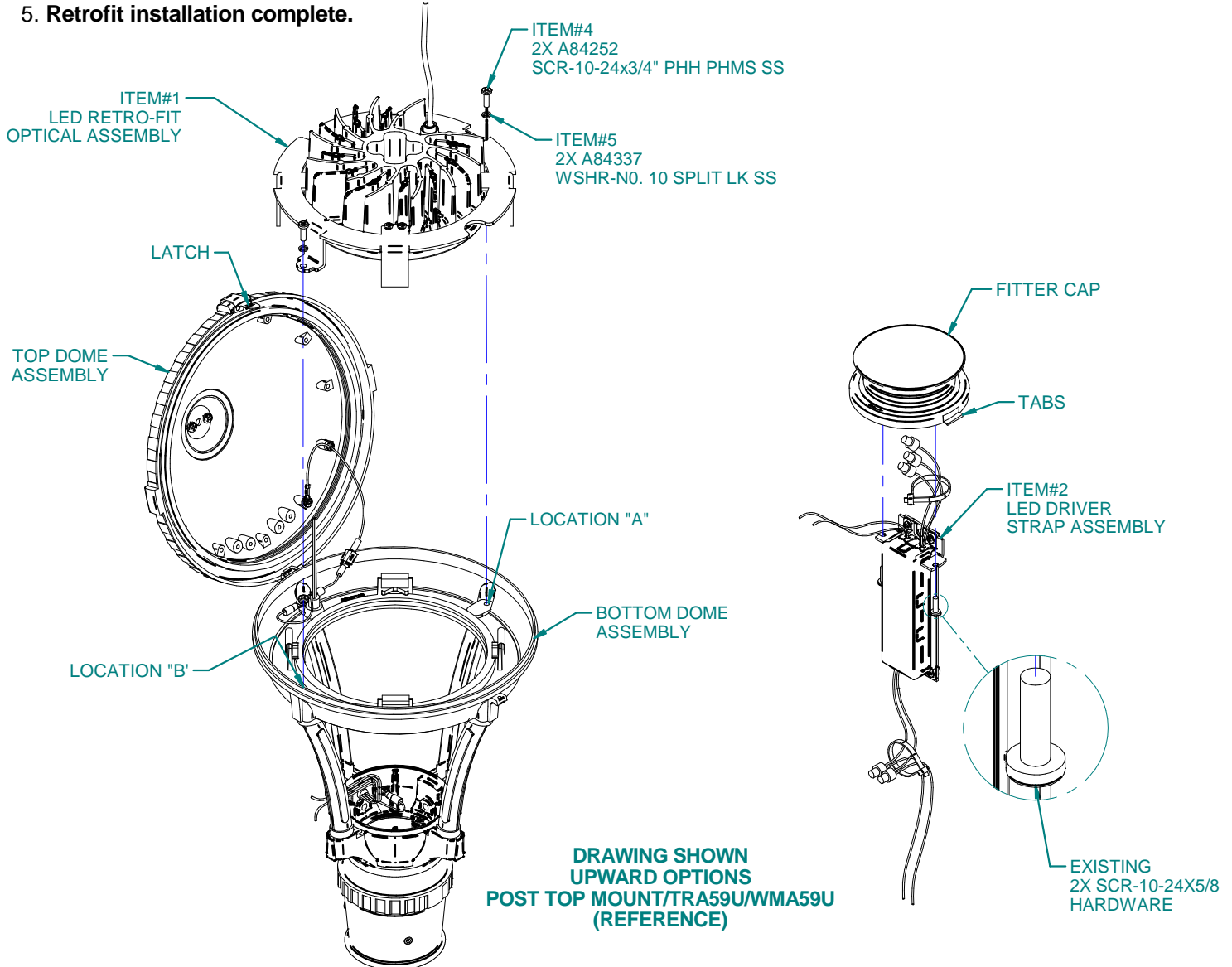
LED Upgrade Kit Installation Guide

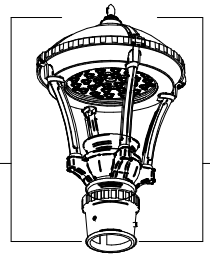
Fixture: PROS™ - Providence Small

STEPS: TO RETROFIT LED

1. Remove existing screws on each side as shown in location "A" and "B", assemble LED retro-fit optical assembly with new produced two washers and two 10-24 x 3/4" screws provided by A.A.L. as shown on the illustrations below.
2. To assemble LED driver strap assembly, remove existing two 10-24 screws and assemble LED driver strap assembly to fitter cap with same hardware as shown in the illustration below.
3. For wiring diagrams:
POST TOP MOUNT / TRA59U ARM / WMA59U ARM (UPWARD OPTIONS) see page 4.
TRA59D ARM / WMA59D ARM (DOWNWARD OPTIONS) see page 5.
4. Close top dome by snapping latch securely to bottom dome assembly, Place LED driver assembly carefully inside fitter cap assembly rotate fitter cap clockwise until tabs snap securely into fitter.

5. Retrofit installation complete.

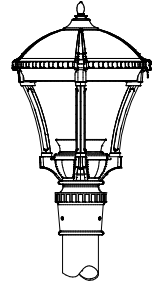
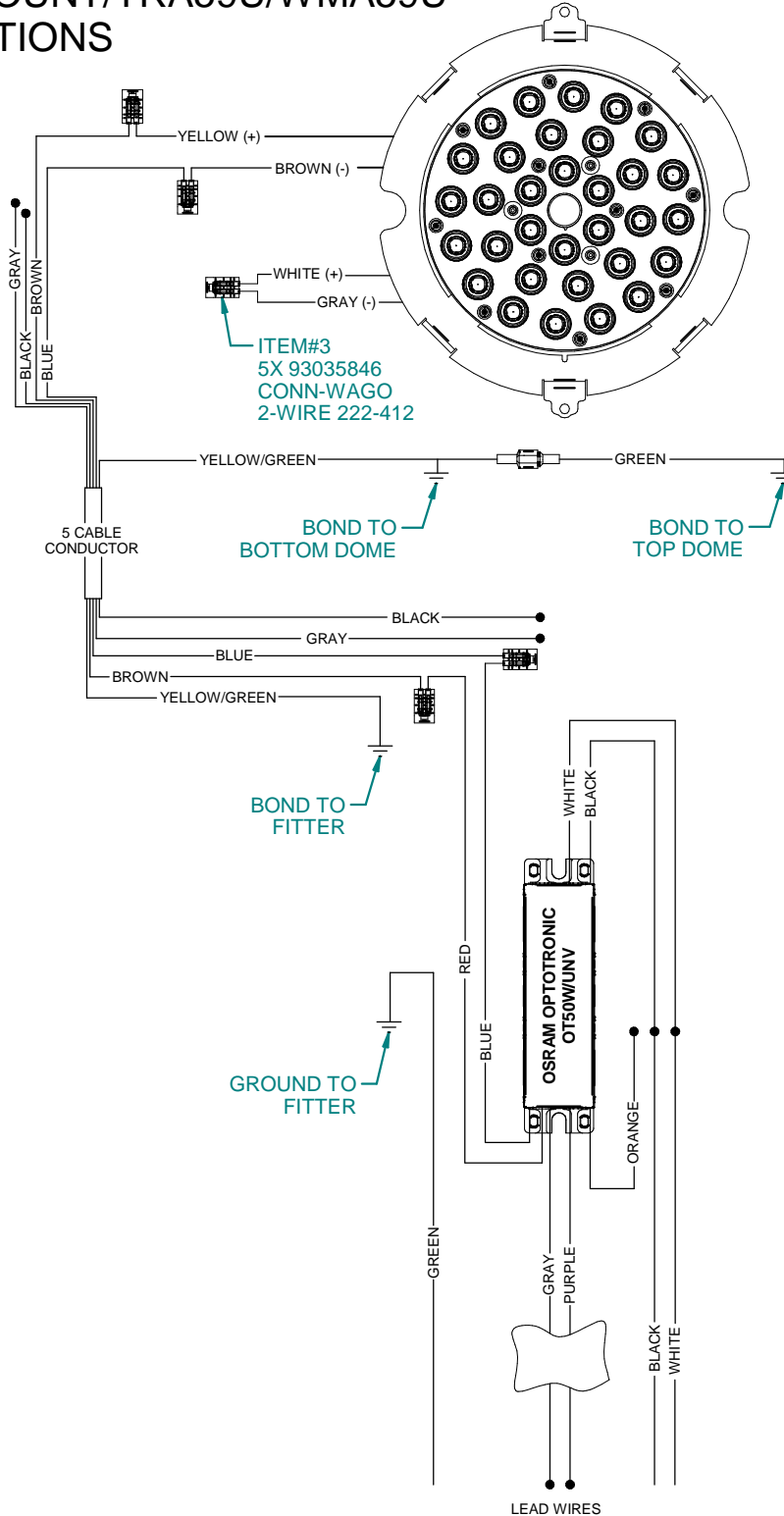




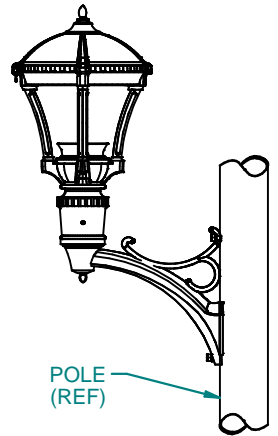
LED Upgrade Kit Installation Guide

Fixture: PROS™ - Providence Small

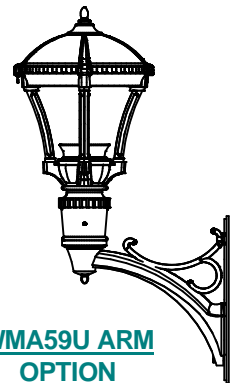
WIRING DIAGRAM POST TOP MOUNT/TRA59U/WMA59U UPWARD OPTIONS



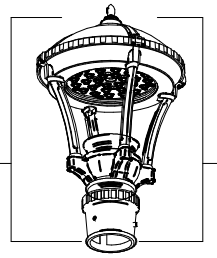
**POST TOP MOUNT
OPTION**



**TRA59U ARM
OPTION**



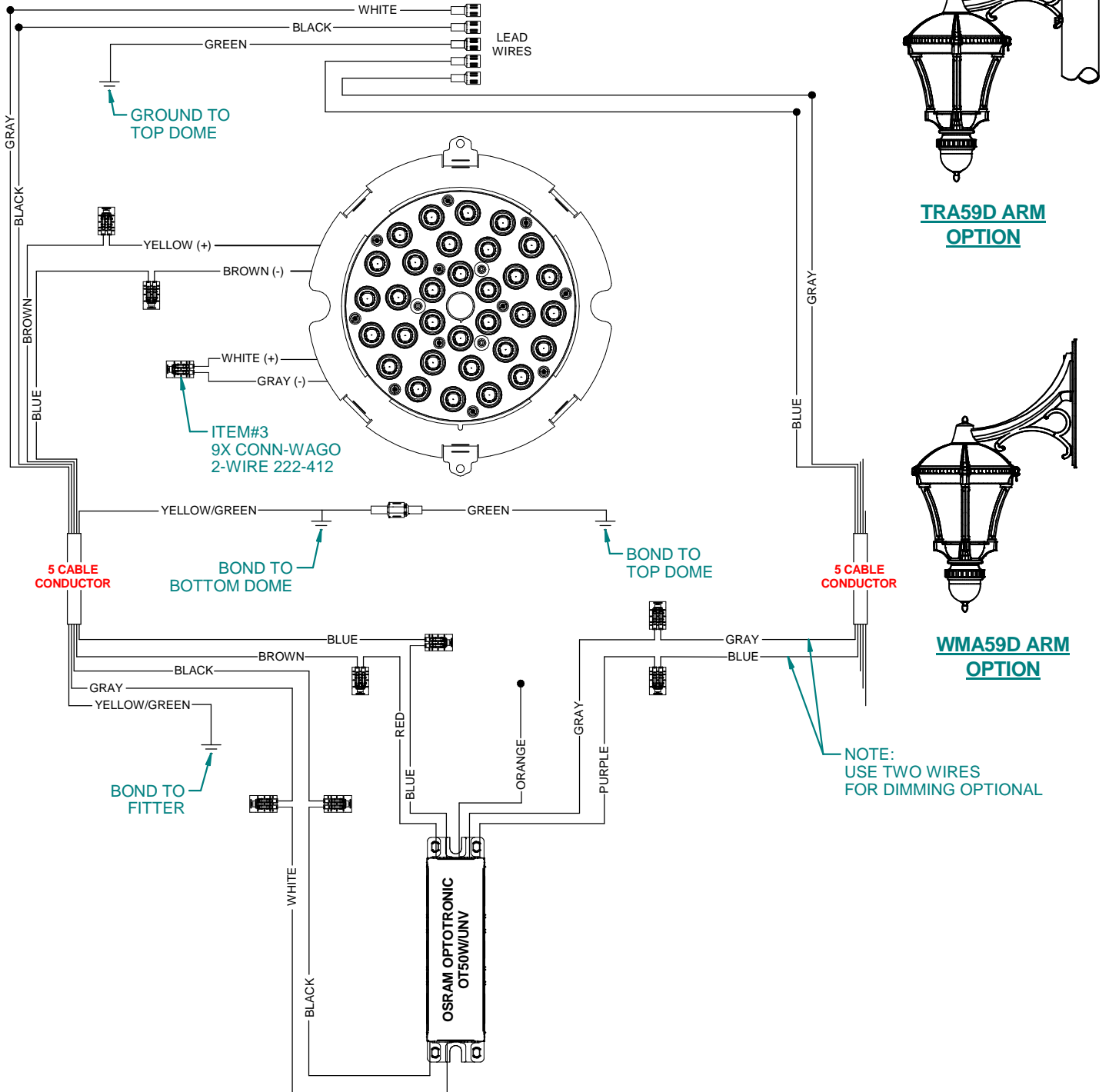
**WMA59U ARM
OPTION**



LED Upgrade Kit Installation Guide

Fixture: PROS™ - Providence Small

WIRING DIAGRAM TRA59D ARM / WMA59D ARM DOWNWARD OPTIONS **(WITH TWO 5 CABLE CONDUCTOR)**

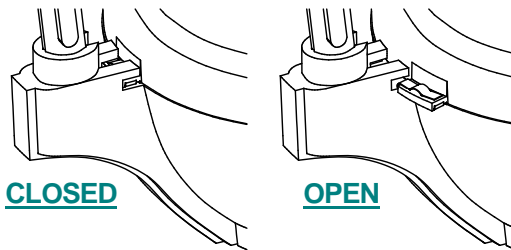
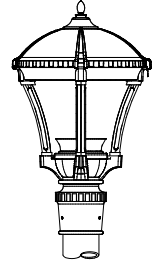
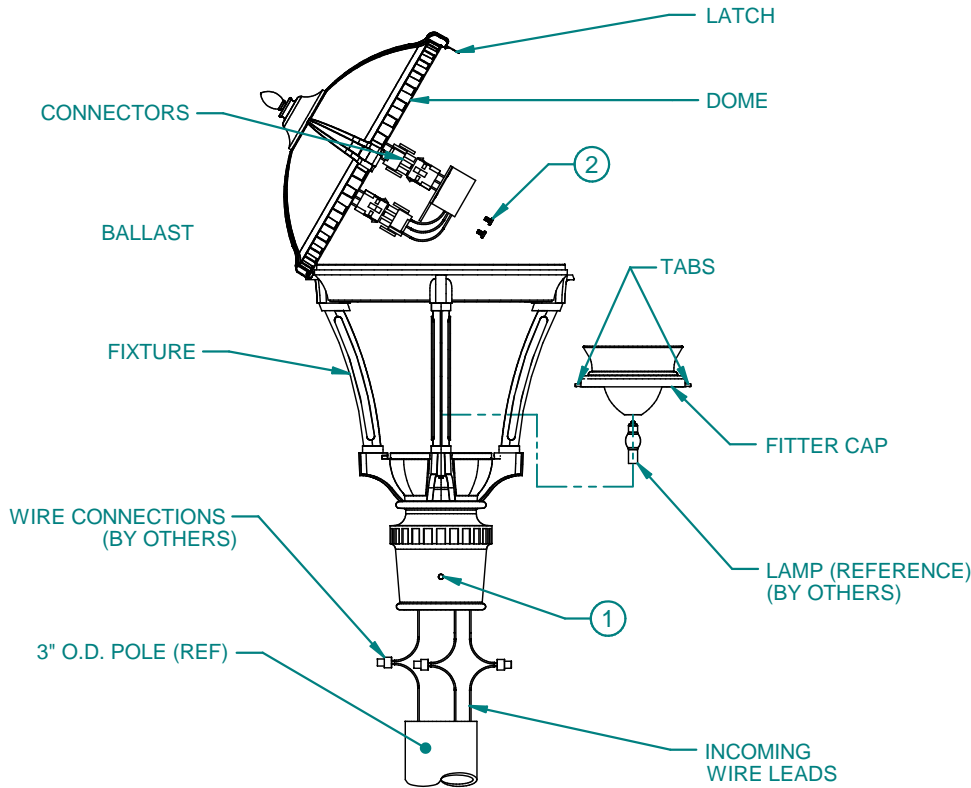


INSTALLATION INSTRUCTIONS

CATALOG NUMBER

PROS IND

WARNING: THIS PRODUCT CONTAINS CHEMICALS KNOWN TO THE STATE OF CALIFORNIA TO CAUSE CANCER, BIRTH DEFECTS, AND/OR OTHER REPRODUCTIVE HARM. THOROUGHLY WASH HANDS AFTER INSTALLING, HANDLING, CLEANING OR OTHERWISE TOUCHING THIS PRODUCT.



FITTER CAP DETAIL

INSTALLATION STEPS:

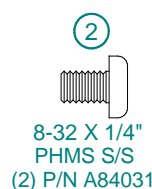
1. TURN OFF POWER.
2. MAKE WIRE CONNECTIONS FROM INCOMING WIRE LEADS TO ARM LEADS, AS SHOWN. (WHITE TO COMMON, BLACK TO HOT AND GREEN TO GROUND). NOTE: ASSEMBLY MUST BE GROUNDED TO THE INCOMING EQUIPMENT GROUND SUPPLY.
3. SLIP FIXTURE OVER POLE, AND SECURE FIXTURE TO POLE WITH (3) 5/16-18 x 1/4" SET SCREWS.
4. INSTALLATION COMPLETE.

BALLAST SERVICING:

1. TURN POWER OFF.
2. PULL LATCH AND RAISE DOME TO ACCESS BALLAST.
3. UNPLUG ALL CONNECTORS AND REMOVE (2) SCREWS TO RELEASE BALLAST,
4. SERVICE BALLAST.
5. PLUG IN ALL CONNECTORS, RE-INSTALL BALLAST AND SECURE WITH (2) SCREWS. CLOSE DOME AND LATCH SECURELY.
6. BALLAST SERVICING COMPLETE.

LAMP SERVICING:

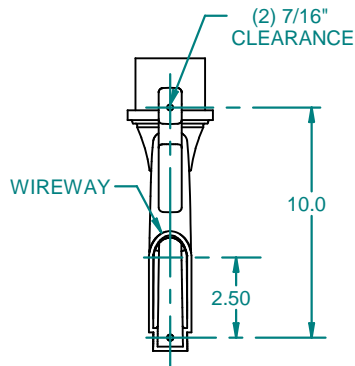
1. TURN POWER OFF.
2. ROTATE FITTER CAP COUNTER CLOCKWISE, UNTIL FREE FROM FIXTURE. (SEE FITTER CAP DETAIL)
3. LIFT FITTER CAP WITH REFLECTOR FROM FITTER.
4. INSTALL LAMP (BY OTHERS).
5. CAREFULLY PLACE FITTER CAP INTO FITTER, ROTATE FITTER CAP CLOCKWISE UNTIL TABS SNAP SECURELY INTO FITTER.
6. LAMP SERVICING COMPLETE.



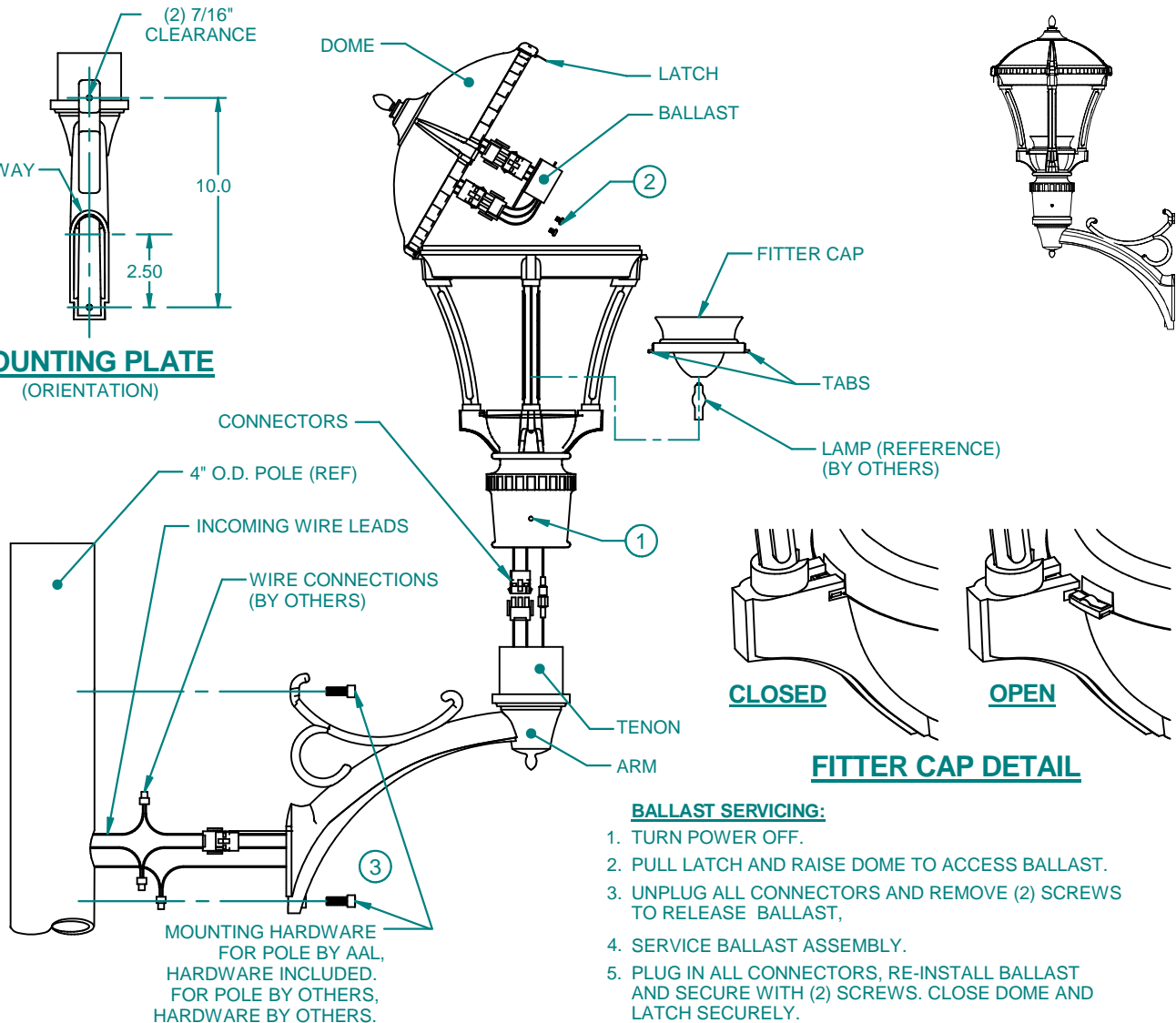
INSTALLATION INSTRUCTIONS

CATALOG NUMBER
**PROS IND
TRA59U**

WARNING: THIS PRODUCT CONTAINS CHEMICALS KNOWN TO THE STATE OF CALIFORNIA TO CAUSE CANCER, BIRTH DEFECTS, AND/OR OTHER REPRODUCTIVE HARM. THOROUGHLY WASH HANDS AFTER INSTALLING, HANDLING, CLEANING OR OTHERWISE TOUCHING THIS PRODUCT.



MOUNTING PLATE
(ORIENTATION)



BALLAST SERVICING:

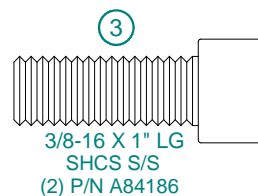
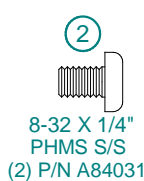
1. TURN POWER OFF.
2. PULL LATCH AND RAISE DOME TO ACCESS BALLAST.
3. UNPLUG ALL CONNECTORS AND REMOVE (2) SCREWS TO RELEASE BALLAST.
4. SERVICE BALLAST ASSEMBLY.
5. PLUG IN ALL CONNECTORS, RE-INSTALL BALLAST AND SECURE WITH (2) SCREWS. CLOSE DOME AND LATCH SECURELY.
6. BALLAST SERVICING COMPLETE.

LAMP SERVICING:

1. TURN POWER OFF.
2. ROTATE FITTER CAP COUNTER CLOCKWISE, UNTIL FREE FROM FIXTURE. (SEE FITTER CAP DETAIL)
3. LIFT FITTER CAP FROM FITTER.
4. INSTALL LAMP (BY OTHERS).
5. CAREFULLY PLACE FITTER CAP INTO FITTER, ROTATE FITTER CAP CLOCKWISE UNTIL TABS SNAP SECURELY INTO FITTER.
6. LAMP SERVICING COMPLETE.

INSTALLATION STEPS:

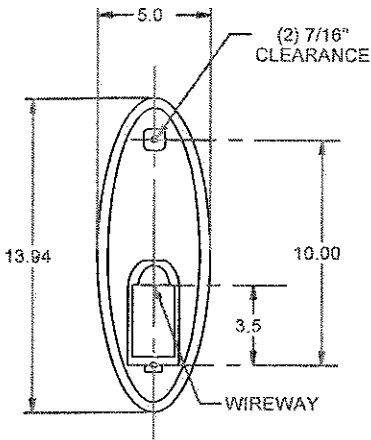
1. TURN OFF POWER.
2. MAKE WIRE CONNECTIONS FROM INCOMING WIRE LEADS TO ARM LEADS, AS SHOWN. (WHITE TO COMMON, BLACK TO HOT AND GREEN TO GROUND). NOTE: ASSEMBLY MUST BE GROUNDED TO THE INCOMING EQUIPMENT GROUND SUPPLY.
3. PLACE WIRING IN POLE AND SECURE ARM TO POLE (HARDWARE AS NOTED).
4. SLIP FIXTURE OVER ARM, AND SECURE FIXTURE TO ARM WITH (3) 5/16-18 x 1/4" SET SCREWS.
5. INSTALLATION COMPLETE.



INSTALLATION INSTRUCTIONS

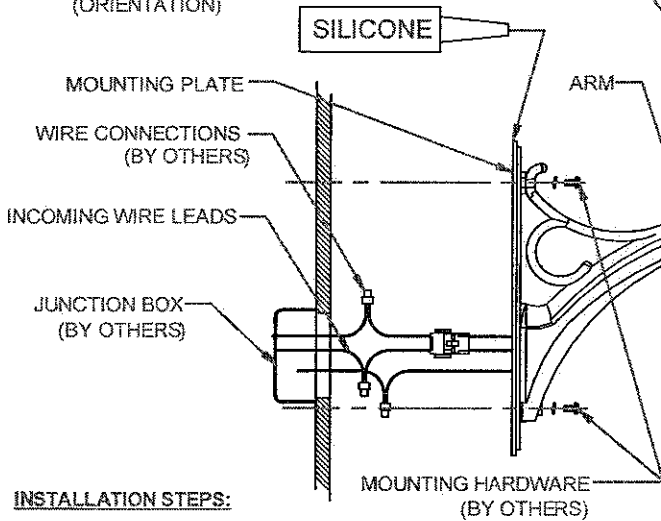
CATALOG NUMBER
**PROS IND
WMA59U**

WARNING: THIS PRODUCT CONTAINS CHEMICALS KNOWN TO THE STATE OF CALIFORNIA TO CAUSE CANCER, BIRTH DEFECTS, AND/OR OTHER REPRODUCTIVE HARM. THOROUGHLY WASH HANDS AFTER INSTALLING, HANDLING, CLEANING OR OTHERWISE TOUCHING THIS PRODUCT.



MOUNTING PLATE

(ORIENTATION)




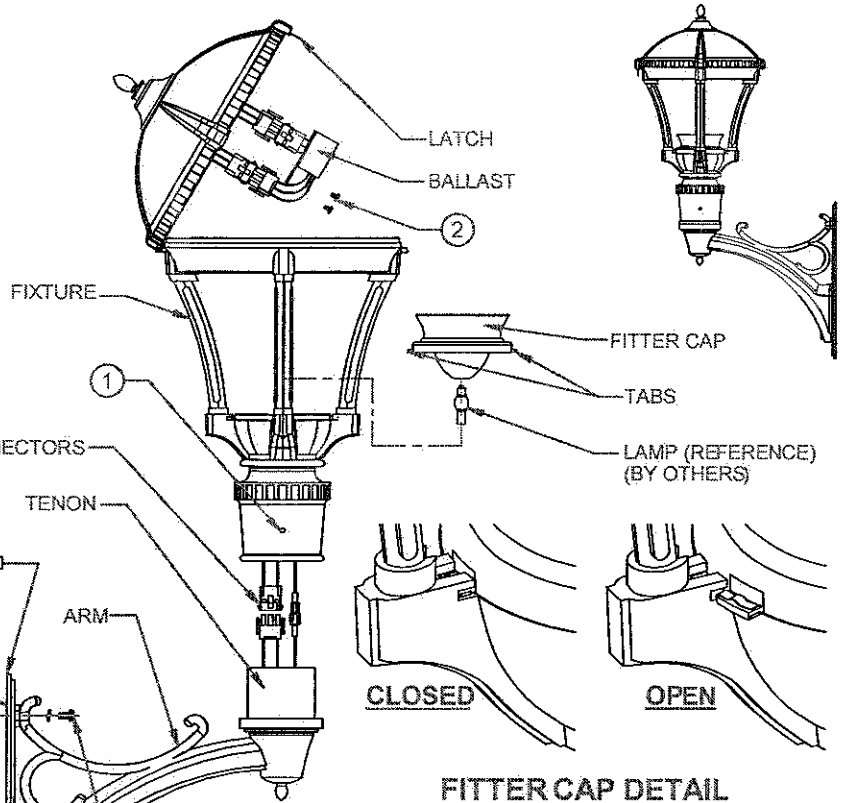
INSTALLATION STEPS:

1. TURN OFF POWER.
2. MAKE WIRE CONNECTIONS FROM INCOMING WIRE LEADS TO ARM LEADS, AS SHOWN. (WHITE TO COMMON, BLACK TO HOT AND GREEN TO GROUND). NOTE: ASSEMBLY MUST BE GROUNDED TO THE INCOMING EQUIPMENT GROUND SUPPLY.
3. PLACE WIRING IN J-BOX AND SECURE ARM TO MOUNTING SURFACE. (NOT FOR JUNCTION BOX MOUNTING, HARDWARE BY OTHERS).
4. PLUG IN CONNECTORS FROM ARM TO FIXTURE. SLIP FIXTURE OVER TENON, AND SECURE FIXTURE TO TENON WITH (3) 5/16-18 x 1/4" SET SCREWS.
5. SILICONE AROUND MOUNTING PLATE AND MOUNTING SURFACE, AS SHOWN.
6. INSTALLATION COMPLETE.

①

 5/16-18 X 1/4"
 SET SCREW S/S
 (3) P/N 9300XXXX

②

 8-32 X 1/4"
 PHMS S/S
 (2) P/N A84031



FITTER CAP DETAIL

BALLAST SERVICING:

1. TURN POWER OFF.
2. PULL LATCH AND RAISE DOME TO ACCESS BALLAST.
3. UNPLUG ALL CONNECTORS AND REMOVE (2) SCREWS TO RELEASE BALLAST.
4. SERVICE BALLAST.
5. PLUG IN ALL CONNECTORS, RE-INSTALL BALLAST ASSEMBLY AND SECURE WITH (2) SCREWS. CLOSE DOME AND LATCH SECURELY.
6. BALLAST SERVICING COMPLETE.

LAMP SERVICING:

1. TURN POWER OFF.
2. ROTATE FITTER CAP COUNTER CLOCKWISE, UNTIL FREE FROM FIXTURE. (SEE FITTER CAP DETAIL)
3. LIFT FITTER CAP WITH REFLECTOR ASSEMBLY FROM FITTER.
4. INSTALL LAMP (BY OTHERS).
5. CAREFULLY PLACE FITTER CAP ASSEMBLY INTO FITTER, ROTATE FITTER CAP CLOCKWISE UNTIL TABS SNAP SECURELY INTO FITTER.
6. LAMP SERVICING COMPLETE.

architectural
lighting

16555 East Gale Avenue
 City of Industry, CA 91716-0080
 (626)968-5666 Fax(626)330-3861


 Hubbell Lighting, Inc.

DATE
12-8-09
 DATE
12-08-09

APPRVD
REV.
A

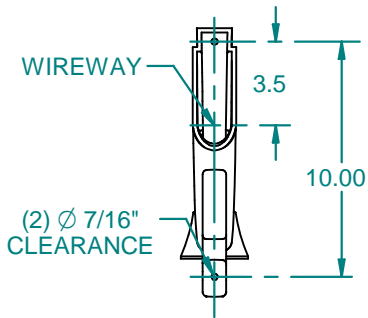
PART NO.

A96484

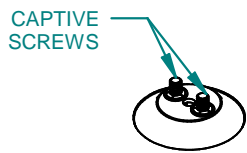
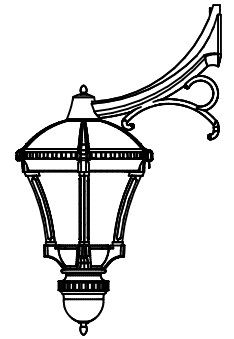
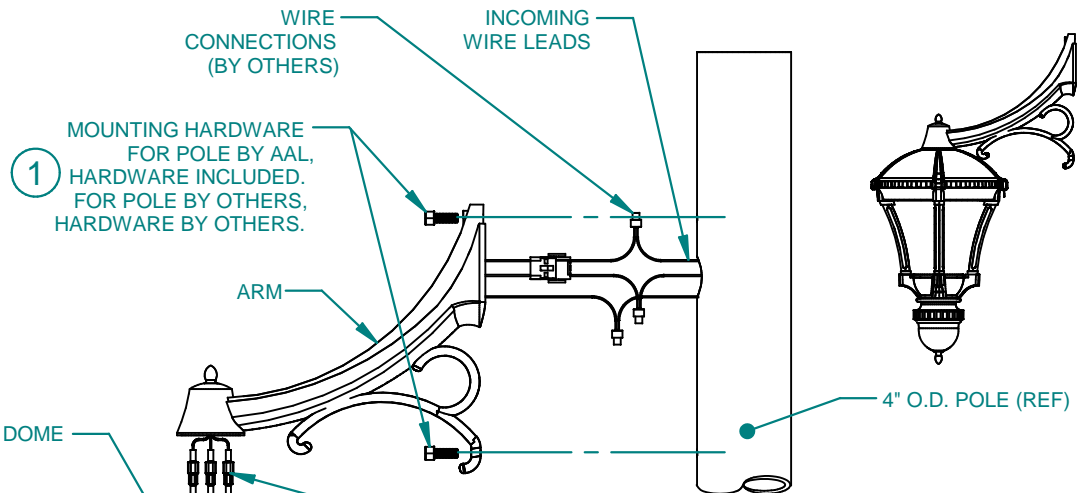
INSTALLATION INSTRUCTIONS

CATALOG NUMBER
**PROS DIR
TRA59D**

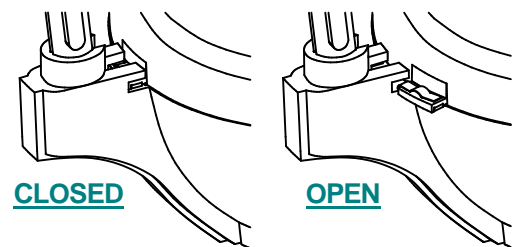
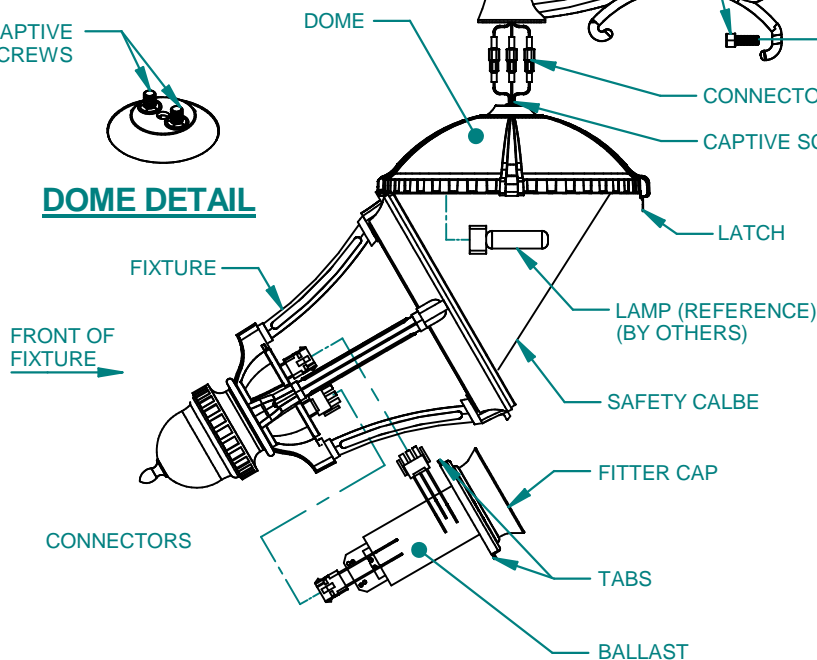
WARNING: THIS PRODUCT CONTAINS CHEMICALS KNOWN TO THE STATE OF CALIFORNIA TO CAUSE CANCER, BIRTH DEFECTS, AND/OR OTHER REPRODUCTIVE HARM. THOROUGHLY WASH HANDS AFTER INSTALLING, HANDLING, CLEANING OR OTHERWISE TOUCHING THIS PRODUCT.



MOUNTING PATTERN (ORIENTATION)



DOME DETAIL



FITTER CAP DETAIL

INSTALLATION STEPS:

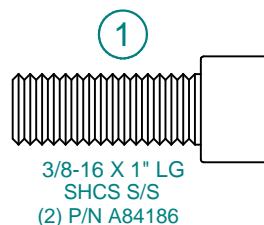
1. TURN OFF POWER.
2. PLUG IN CONNECTORS FROM ARM TO FIXTURE.
3. PULL LATCH AND LOWER FIXTURE TO ACCESS BALLAST; ASSEMBLE FIXTURE TO ARM WITH (2) CAPTIVE SCREWS (AS SHOWN), CLOSE BALLAST COMPARTMENT.
4. MAKE WIRE CONNECTIONS FROM INCOMING WIRE LEADS TO ARM LEADS, AS SHOWN. (WHITE TO COMMON, BLACK TO HOT AND GREEN TO GROUND). NOTE: ASSEMBLY MUST BE GROUNDED TO THE INCOMING EQUIPMENT GROUND SUPPLY.
5. PLACE WIRING IN POLE AND SECURE FIXTURE TO POLE (HARDWARE AS NOTED).
6. INSTALLATION COMPLETE.

LAMP SERVICING:

1. TURN OFF POWER.
2. PULL LATCH AND LOWER FIXTURE, AS SHOWN.
3. INSTALL LAMP (BY OTHERS). AND CLOSE FIXTURE AND LATCH SECURELY.
4. LAMP SERVICING COMPLETE.

BALLAST SERVICING:

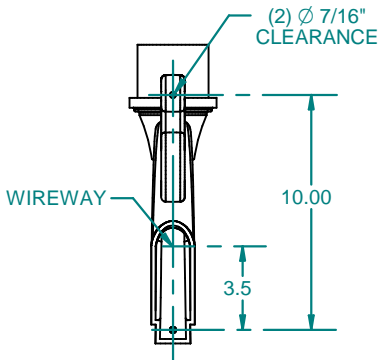
1. TURN POWER OFF.
2. ROTATE FITTER CAP COUNTER CLOCKWISE, UNTIL FREE FROM FIXTURE. (SEE FITTER CAP DETAIL)
3. LIFT FITTER CAP WITH BALLAST FROM FITTER AND UNPLUG ALL CONNECTORS.
4. SERVICE BALLAST.
5. PLUG IN ALL CONNECTORS AND CAREFULLY PLACE BALLAST INTO FITTER.
6. ROTATE FITTER CAP CLOCKWISE, UNTIL TABS SNAP SECURELY INTO FITTER.
7. BALLAST SERVICING COMPLETE.



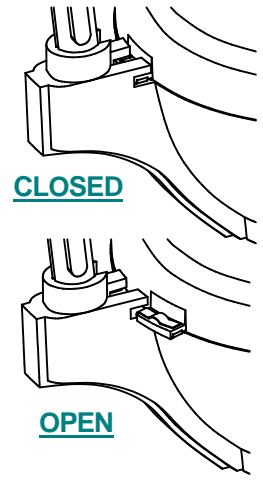
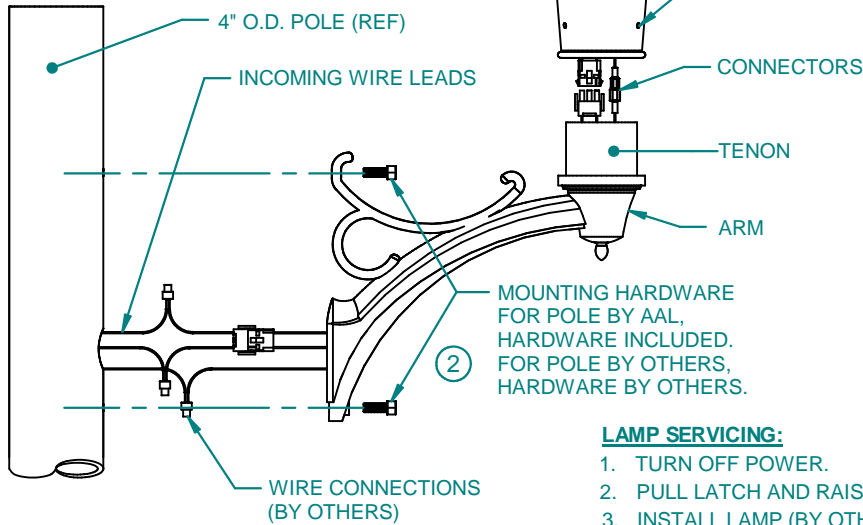
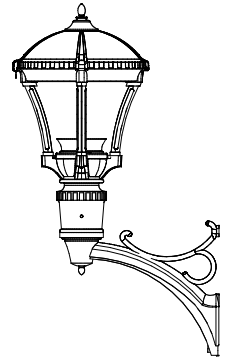
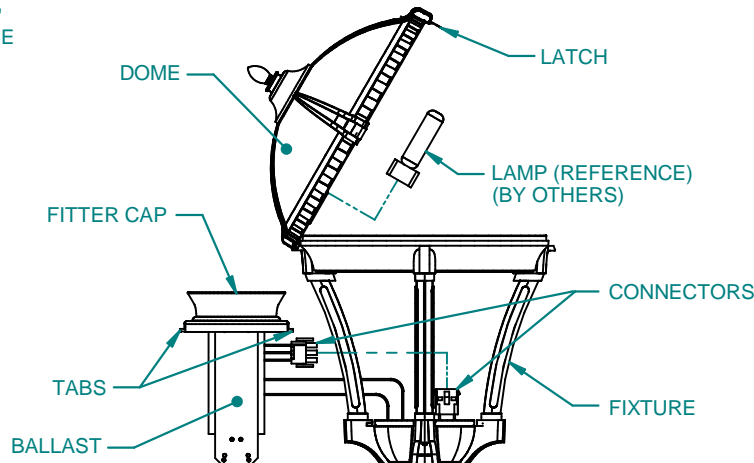
INSTALLATION INSTRUCTIONS

CATALOG NUMBER
**PROS DIR
TRA59U**

WARNING: THIS PRODUCT CONTAINS CHEMICALS KNOWN TO THE STATE OF CALIFORNIA TO CAUSE CANCER, BIRTH DEFECTS, AND/OR OTHER REPRODUCTIVE HARM. THOROUGHLY WASH HANDS AFTER INSTALLING, HANDLING, CLEANING OR OTHERWISE TOUCHING THIS PRODUCT.



MOUNTING HOLES
(ORIENTATION)



FITTER CAP DETAIL

INSTALLATION STEPS:

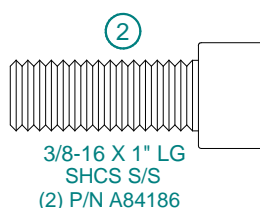
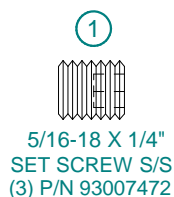
1. TURN OFF POWER.
2. MAKE WIRE CONNECTIONS FROM INCOMING WIRE LEADS TO ARM LEADS, AS SHOWN. (WHITE TO COMMON, BLACK TO HOT AND GREEN TO GROUND). NOTE: ASSEMBLY MUST BE GROUNDED TO THE INCOMING EQUIPMENT GROUND SUPPLY.
3. PLACE WIRING IN POLE AND SECURE ARM TO POLE (HARDWARE AS NOTED).
4. PLUG IN CONNECTORS FROM ARM TO FIXTURE AND SLIP FIXTURE OVER TENON, AND SECURE FIXTURE TO TENON WITH (3) 5/16-18 x 1/4" SET SCREWS.
5. INSTALLATION COMPLETE.

LAMP SERVICING:

1. TURN OFF POWER.
2. PULL LATCH AND RAISE DOME AS SHOWN.
3. INSTALL LAMP (BY OTHERS). AND CLOSE DOME AND LATCH SECURELY.
4. LAMP SERVICING COMPLETE.

BALLAST SERVICING:

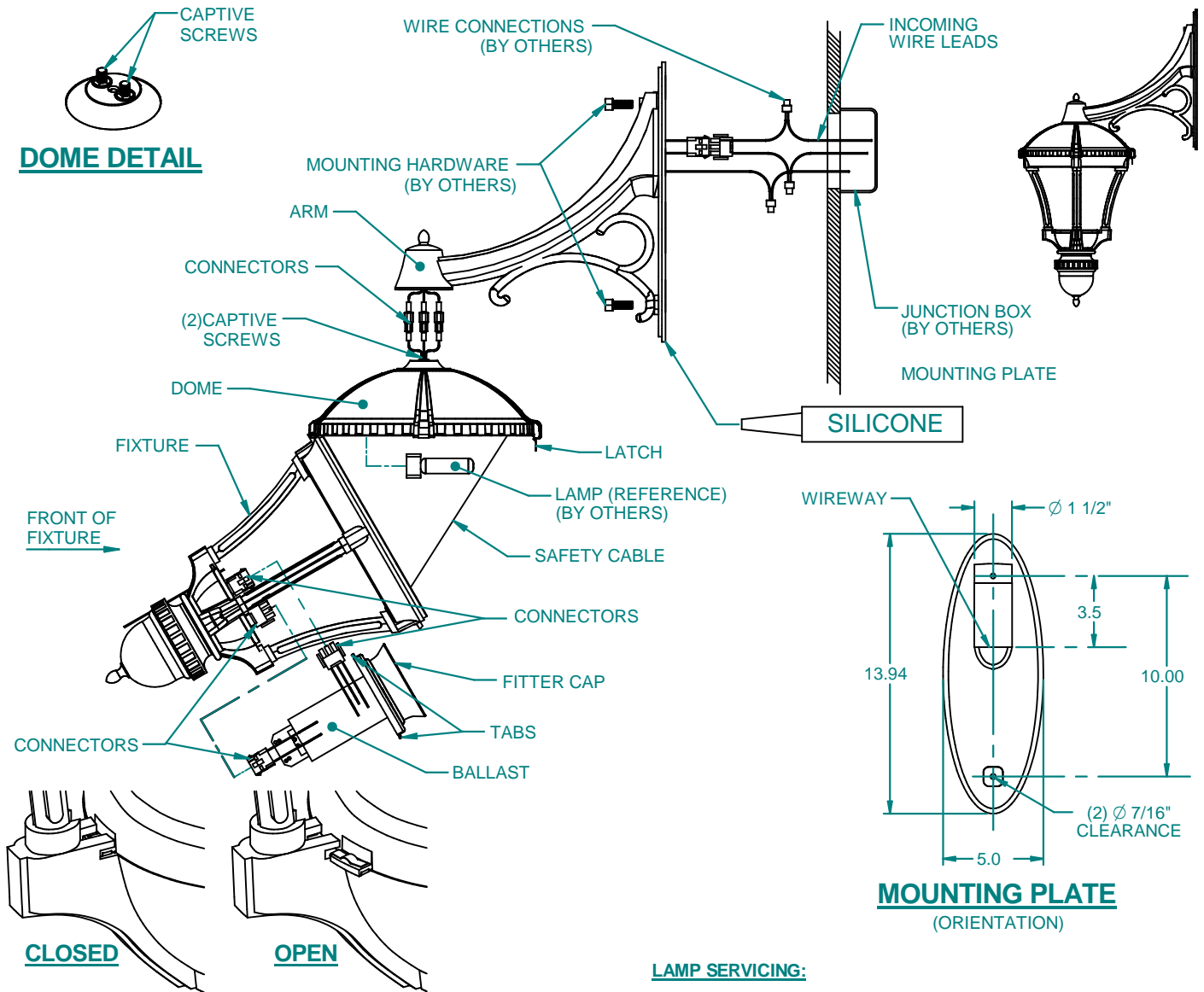
1. TURN POWER OFF.
2. ROTATE FITTER CAP COUNTER CLOCKWISE, UNTIL FREE FROM FIXTURE. (SEE FITTER CAP DETAIL)
3. LIFT FITTER CAP WITH BALLAST FROM FITTER AND UNPLUG ALL CONNECTORS.
4. SERVICE BALLAST.
5. PLUG IN ALL CONNECTORS AND CAREFULLY PLACE BALLAST INTO FITTER.
6. ROTATE FITTER CAP CLOCKWISE, UNTIL TABS SNAP SECURELY INTO FITTER.
7. BALLAST SERVICING COMPLETE.



INSTALLATION INSTRUCTIONS

CATALOG NUMBER
**PROS DIR
WMA59D**

WARNING: THIS PRODUCT CONTAINS CHEMICALS KNOWN TO THE STATE OF CALIFORNIA TO CAUSE CANCER, BIRTH DEFECTS, AND/OR OTHER REPRODUCTIVE HARM. THOROUGHLY WASH HANDS AFTER INSTALLING, HANDLING, CLEANING OR OTHERWISE TOUCHING THIS PRODUCT.



FITTER CAP DETAIL

INSTALLATION STEPS:

1. TURN OFF POWER.
2. PLUG IN CONNECTORS FROM FIXTURE TO ARM.
3. PULL LATCH AND RAISE DOME AS SHOWN; ASSEMBLE FIXTURE TO ARM WITH (2) CAPTIVE SCREWS (AS SHOWN), INSTALL LAMP. CLOSE LAMP COMPARTMENT.
4. MAKE WIRE CONNECTIONS FROM INCOMING WIRE LEADS TO ARM LEADS, AS SHOWN. (WHITE TO COMMON, BLACK TO HOT AND GREEN TO GROUND). NOTE: ASSEMBLY MUST BE GROUNDED TO THE INCOMING EQUIPMENT GROUND SUPPLY.
5. PLACE WIRING IN J-BOX AND MOUNT FIXTURE TO WALL. (NOT FOR JUNCTION BOX MOUNTING, HARDWARE BY OTHERS).
6. SILICONE AROUND MOUNTING PLATE AND MOUNTING SURFACE AS SHOWN.
7. INSTALLATION COMPLETE.

LAMP SERVICING:

1. TURN OFF POWER.
2. PULL LATCH AND LOWER FIXTURE, AS SHOWN.
3. INSTALL LAMP (BY OTHERS). CLOSE FIXTURE AND LATCH SECURELY.
4. LAMP SERVICING COMPLETE.

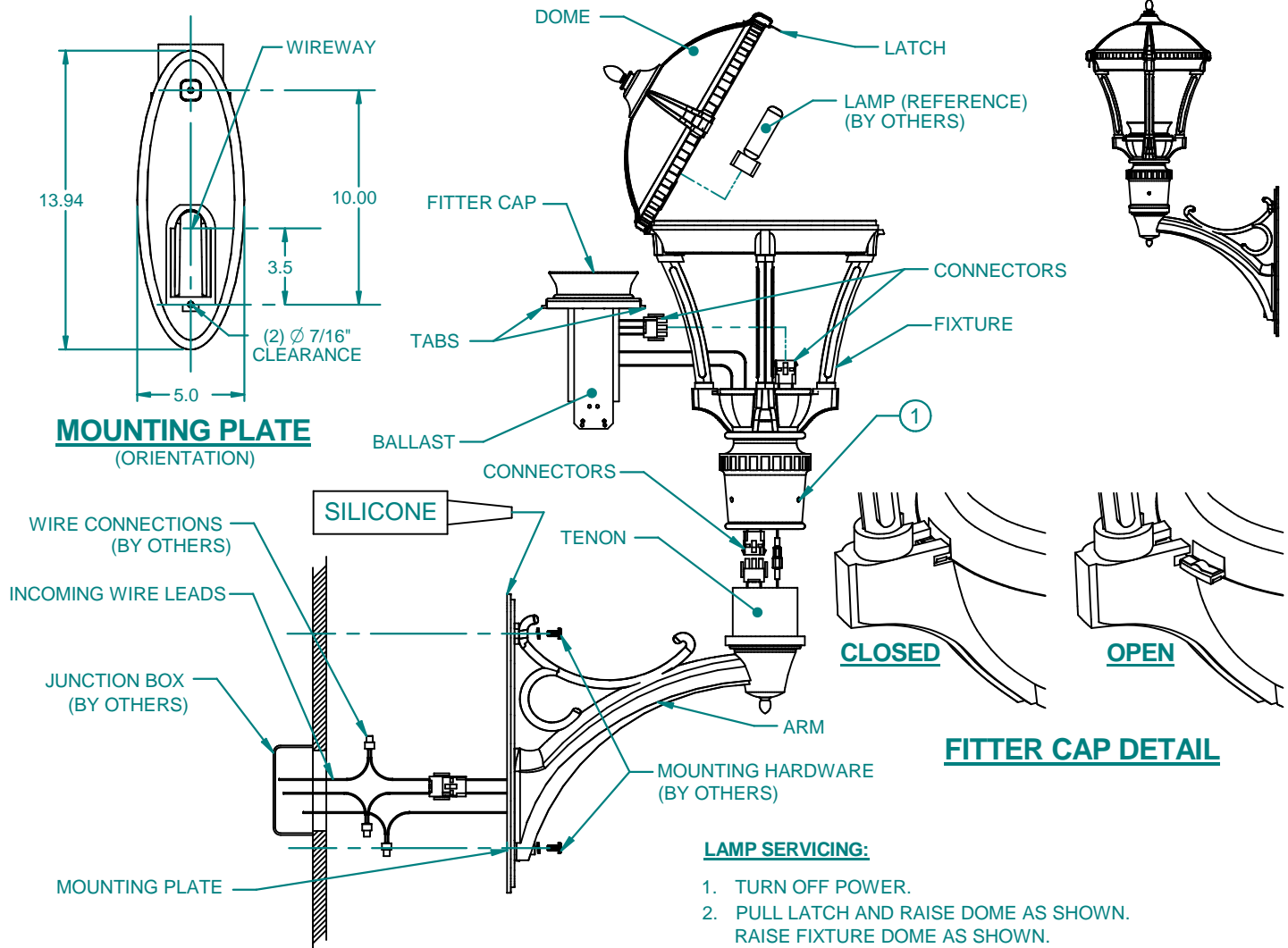
BALLAST SERVICING:

1. TURN POWER OFF.
2. ROTATE FITTER CAP COUNTER CLOCKWISE, UNTIL FREE FROM FIXTURE. (SEE FITTER CAP DETAIL)
3. LIFT FITTER CAP WITH BALLAST FROM FITTER AND UNPLUG ALL CONNECTORS.
4. SERVICE BALLAST.
5. PLUG IN ALL CONNECTORS AND CAREFULLY PLACE BALLAST INTO FITTER.
6. ROTATE FITTER CAP CLOCKWISE, UNTIL TABS SNAP SECURELY INTO FITTER.
7. BALLAST SERVICING COMPLETE.

INSTALLATION INSTRUCTIONS

CATALOG NUMBER
**PROS DIR
WMA59U**

WARNING: THIS PRODUCT CONTAINS CHEMICALS KNOWN TO THE STATE OF CALIFORNIA TO CAUSE CANCER, BIRTH DEFECTS, AND/OR OTHER REPRODUCTIVE HARM. THOROUGHLY WASH HANDS AFTER INSTALLING, HANDLING, CLEANING OR OTHERWISE TOUCHING THIS PRODUCT.



FITTER CAP DETAIL

LAMP SERVICING:

1. TURN OFF POWER.
2. PULL LATCH AND RAISE DOME AS SHOWN. RAISE FIXTURE DOME AS SHOWN.
3. INSTALL LAMP (BY OTHERS). AND CLOSE DOME AND LATCH SECURELY.
4. LAMP SERVICING COMPLETE.

BALLAST SERVICING:

1. TURN POWER OFF.
2. ROTATE FITTER CAP COUNTER CLOCKWISE, UNTIL FREE FROM FIXTURE. (SEE FITTER CAP DETAIL)
3. LIFT FITTER CAP WITH BALLAST FROM FITTER AND UNPLUG ALL CONNECTORS.
4. SERVICE BALLAST.
5. PLUG IN ALL CONNECTORS AND CAREFULLY PLACE BALLAST INTO FITTER.
6. ROTATE FITTER CAP CLOCKWISE, UNTIL TABS SNAP SECURELY INTO FITTER.
7. BALLAST SERVICING COMPLETE.

INSTALLATION STEPS:

1. TURN OFF POWER.
2. MAKE WIRE CONNECTIONS FROM INCOMING WIRE LEADS TO ARM LEADS, AS SHOWN. (WHITE TO COMMON, BLACK TO HOT AND GREEN TO GROUND). NOTE: ASSEMBLY MUST BE GROUNDED TO THE INCOMING EQUIPMENT GROUND SUPPLY.
3. PLACE WIRING IN J-BOX AND MOUNT FIXTURE TO MOUNTING SURFACE. (NOT FOR JUNCTION BOX MOUNTING, HARDWARE BY OTHERS).
4. PLUG IN CONNECTORS FROM ARM TO FIXTURE. SLIP FIXTURE OVER TENON, AND SECURE FIXTURE TO TENON WITH (3) 5/16-18 x 1/4" SET SCREWS.
5. SILICONE AROUND MOUNTING PLATE AND MOUNTING SURFACE, AS SHOWN.
6. INSTALLATION COMPLETE.



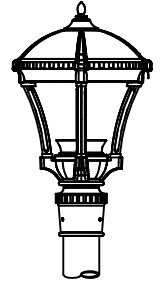
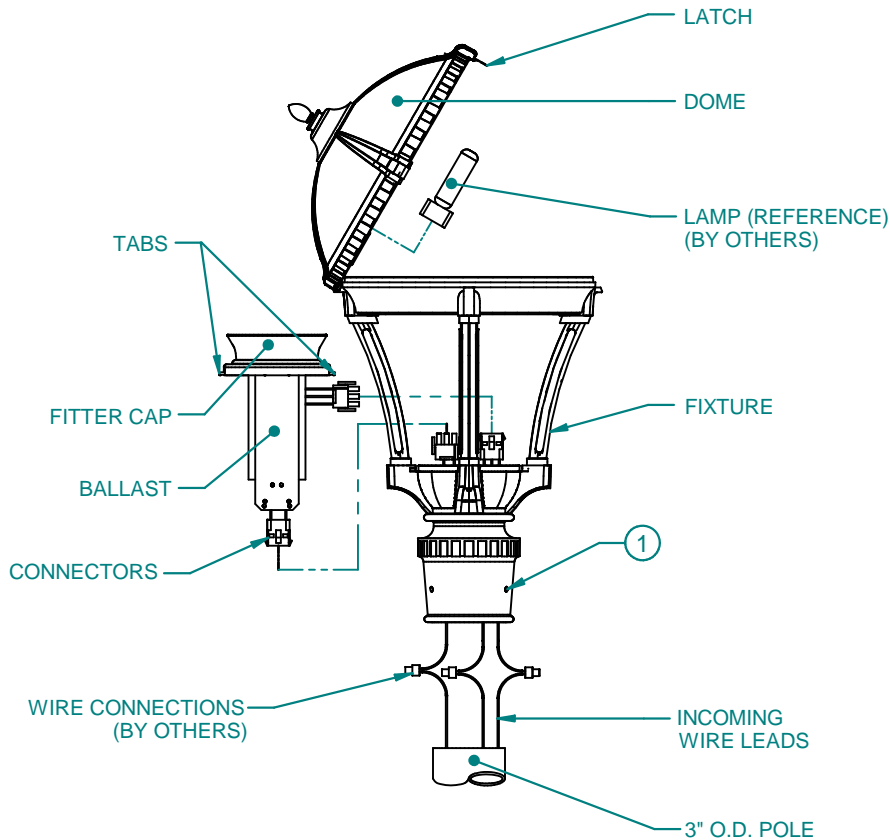
5/16-18 X 1/4"
SET SCREW S/S
(3) P/N 93007472

INSTALLATION INSTRUCTIONS

CATALOG NUMBER

PROS DIR

WARNING: THIS PRODUCT CONTAINS CHEMICALS KNOWN TO THE STATE OF CALIFORNIA TO CAUSE CANCER, BIRTH DEFECTS, AND/OR OTHER REPRODUCTIVE HARM. THOROUGHLY WASH HANDS AFTER INSTALLING, HANDLING, CLEANING OR OTHERWISE TOUCHING THIS PRODUCT.

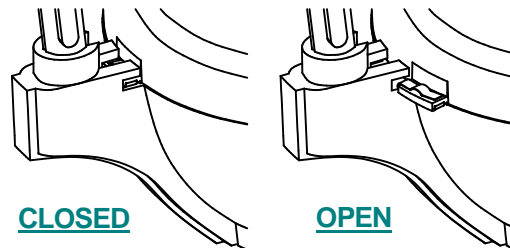


INSTALLATION STEPS:

1. TURN OFF POWER.
2. MAKE WIRE CONNECTIONS FROM INCOMING WIRE LEADS TO FIXTURE. (WHITE TO COMMON, BLACK TO HOT AND GREEN TO GROUND). NOTE: ASSEMBLY MUST BE GROUNDED TO THE INCOMING EQUIPMENT GROUND SUPPLY.
3. SLIP FIXTURE OVER POLE, AND SECURE FIXTURE TO POLE WITH (3) 5/16-18 x 1/4" SET SCREWS.
4. INSTALLATION COMPLETE.

BALLAST SERVICING:

1. TURN POWER OFF.
2. ROTATE FITTER CAP COUNTER CLOCKWISE, UNTIL FREE FROM FIXTURE. (SEE FITTER CAP DETAIL)
3. LIFT FITTER CAP WITH BALLAST FROM FITTER AND UNPLUG ALL CONNECTORS.
4. SERVICE BALLAST.
5. PLUG IN ALL CONNECTORS AND CAREFULLY PLACE BALLAST INTO FITTER.
6. ROTATE FITTER CAP CLOCKWISE, UNTIL TABS SNAP SECURELY INTO FITTER.
7. BALLAST SERVICING COMPLETE.



FITTER CAP DETAIL

LAMP SERVICING:

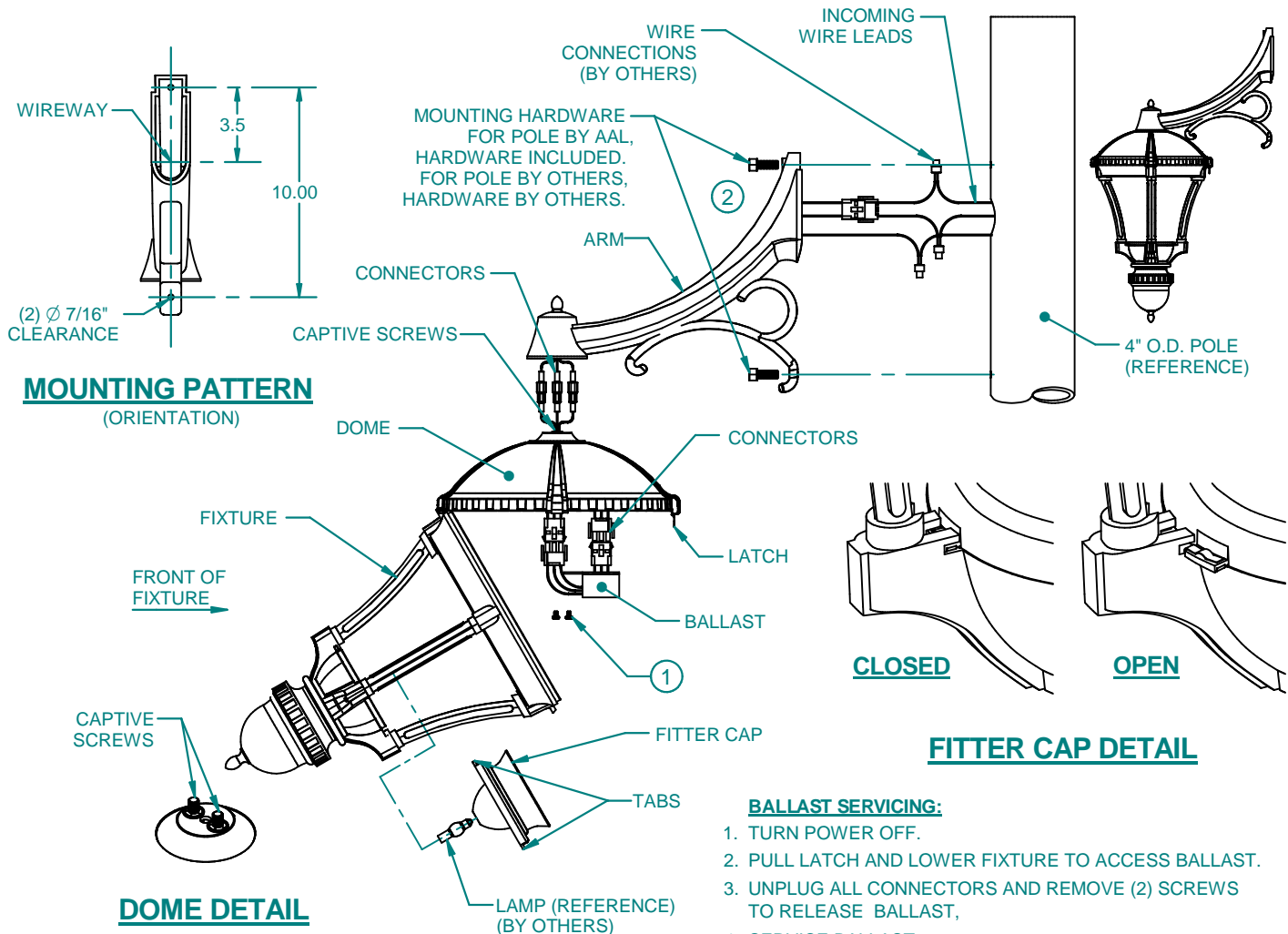
1. TURN OFF POWER.
2. PULL LATCH AND RAISE DOME AS SHOWN.
3. INSTALL LAMP (BY OTHERS). AND CLOSE DOME AND LATCH SECURELY.
4. LAMP SERVICING COMPLETE.



INSTALLATION INSTRUCTIONS

CATALOG NUMBER
**PROS IND
TRA59D**

WARNING: THIS PRODUCT CONTAINS CHEMICALS KNOWN TO THE STATE OF CALIFORNIA TO CAUSE CANCER, BIRTH DEFECTS, AND/OR OTHER REPRODUCTIVE HARM. THOROUGHLY WASH HANDS AFTER INSTALLING, HANDLING, CLEANING OR OTHERWISE TOUCHING THIS PRODUCT.



MOUNTING PATTERN (ORIENTATION)

FITTER CAP DETAIL

DOME DETAIL

INSTALLATION STEPS:

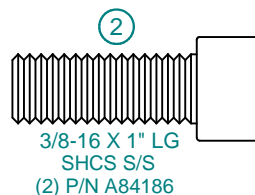
1. TURN OFF POWER.
2. PLUG IN CONNECTORS FROM ARM TO FIXTURE.
3. PULL LATCH AND LOWER FIXTURE TO ACCESS BALLAST; ASSEMBLE FIXTURE TO ARM WITH (2) CAPTIVE SCREWS (AS SHOWN), CLOSE BALLAST COMPARTMENT.
4. MAKE WIRE CONNECTIONS FROM INCOMING WIRE LEADS TO ARM LEADS, AS SHOWN. (WHITE TO COMMON, BLACK TO HOT AND GREEN TO GROUND). NOTE: ASSEMBLY MUST BE GROUNDED TO THE INCOMING EQUIPMENT GROUND SUPPLY.
5. PLACE WIRING IN POLE AND SECURE FIXTURE TO POLE (HARDWARE AS NOTED).
6. INSTALLATION COMPLETE.

BALLAST SERVICING:

1. TURN POWER OFF.
2. PULL LATCH AND LOWER FIXTURE TO ACCESS BALLAST.
3. UNPLUG ALL CONNECTORS AND REMOVE (2) SCREWS TO RELEASE BALLAST,
4. SERVICE BALLAST.
5. PLUG IN ALL CONNECTORS, RE-INSTALL BALLAST AND SECURE WITH (2) SCREWS. CLOSE FIXTURE LATCH SECURELY.
6. BALLAST SERVICING COMPLETE.

LAMP SERVICING:

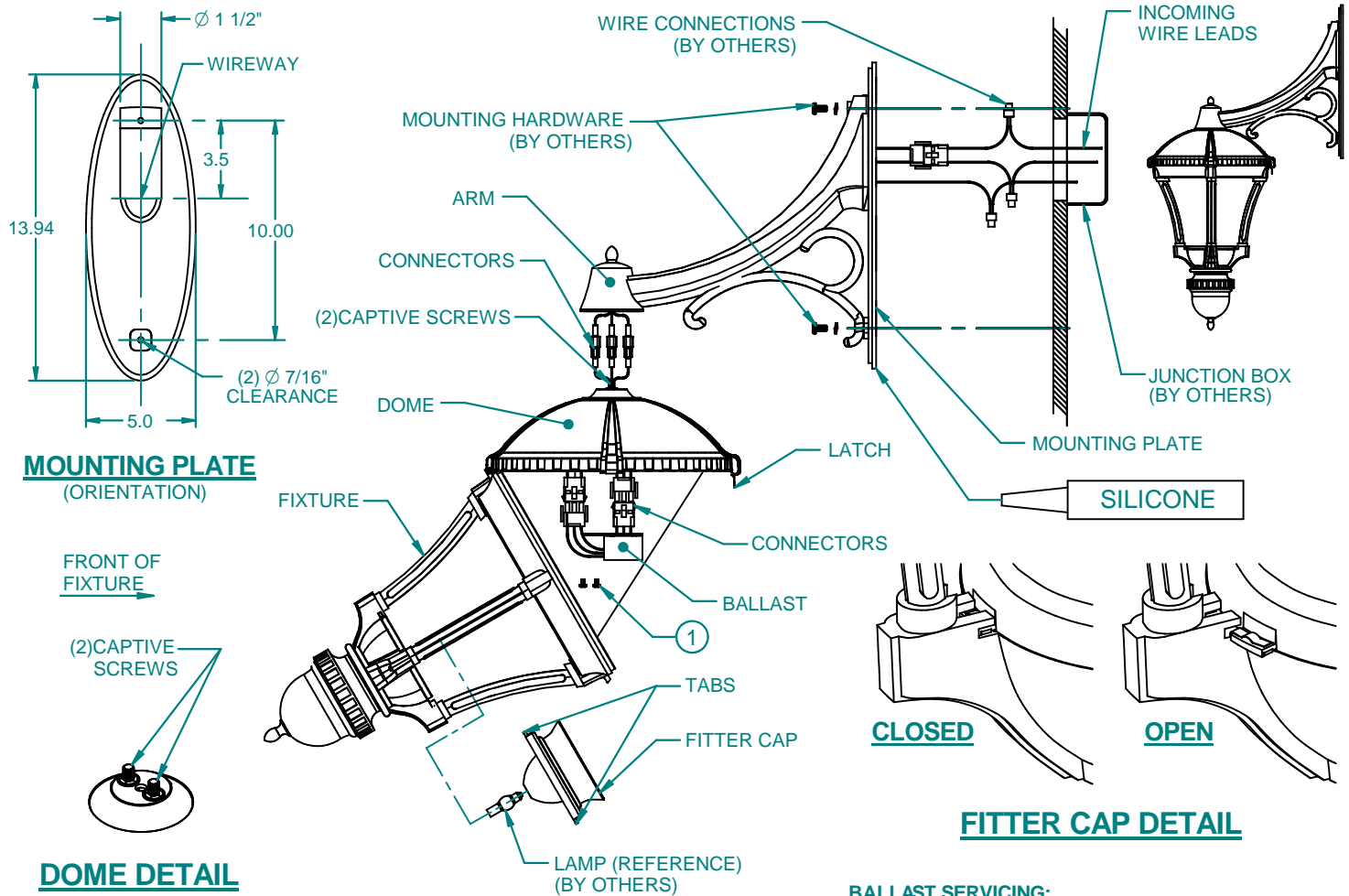
1. TURN POWER OFF.
2. ROTATE FITTER CAP COUNTER CLOCKWISE, UNTIL FREE FROM FIXTURE. (SEE FITTER CAP DETAIL)
3. LIFT FITTER CAP FROM FITTER.
4. INSTALL LAMP (BY OTHERS).
5. CAREFULLY PLACE FITTER CAP ASSEMBLY INTO FITTER, ROTATE FITTER CAP CLOCKWISE UNTIL TABS SNAP SECURELY INTO FITTER.
6. LAMP SERVICING COMPLETE.



INSTALLATION INSTRUCTIONS

CATALOG NUMBER
**PROS IND
TRA59D**

WARNING: THIS PRODUCT CONTAINS CHEMICALS KNOWN TO THE STATE OF CALIFORNIA TO CAUSE CANCER, BIRTH DEFECTS, AND/OR OTHER REPRODUCTIVE HARM. THOROUGHLY WASH HANDS AFTER INSTALLING, HANDLING, CLEANING OR OTHERWISE TOUCHING THIS PRODUCT.



MOUNTING PLATE (ORIENTATION)

FRONT OF
FIXTURE

(2) CAPTIVE
SCREWS

DOME DETAIL

FITTER CAP DETAIL

INSTALLATION STEPS:

1. TURN OFF POWER.
2. PLUG IN CONNECTORS FROM ARM TO FIXTURE.
3. PULL LATCH AND LOWER FIXTURE TO ACCESS BALLAST; ASSEMBLE FIXTURE TO ARM WITH (2) CAPTIVE SCREWS (AS SHOWN), CLOSE LAMP COMPARTMENT.
4. MAKE WIRE CONNECTIONS FROM INCOMING WIRE LEADS TO ARM LEADS, AS SHOWN. (WHITE TO COMMON, BLACK TO HOT AND GREEN TO GROUND). NOTE: ASSEMBLY MUST BE GROUNDED TO THE INCOMING EQUIPMENT GROUND SUPPLY.
5. PLACE WIRING IN J-BOX AND MOUNT FIXTURE TO MOUNTING SURFACE. (NOT FOR JUNCTION BOX MOUNTING, HARDWARE BY OTHERS).
6. SILICONE AROUND MOUNTING PLATE AND MOUNTING SURFACE, AS SHOWN.
7. INSTALLATION COMPLETE.

1
8-32 X 1/4"
PHMS S/S
(2) P/N A84031

BALLAST SERVICING:

1. TURN POWER OFF.
2. PULL LATCH AND LOWER FIXTURE TO ACCESS BALLAST.
3. UNPLUG ALL CONNECTORS AND REMOVE (2) SCREWS TO RELEASE BALLAST.
4. SERVICE BALLAST.
5. PLUG IN ALL CONNECTORS, RE-INSTALL BALLAST AND SECURE WITH (2) SCREWS. CLOSE FIXTURE AND LATCH SECURELY.
6. BALLAST SERVICING COMPLETE.

LAMP SERVICING:

1. TURN POWER OFF.
2. ROTATE FITTER CAP COUNTER CLOCKWISE, UNTIL FREE FROM FIXTURE. (SEE FITTER CAP DETAIL)
3. LIFT FITTER CAP FROM FITTER.
4. INSTALL LAMP (BY OTHERS).
5. CAREFULLY PLACE FITTER CAP INTO FITTER, ROTATE FITTER CAP CLOCKWISE UNTIL TABS SNAP SECURELY INTO FITTER.
6. LAMP SERVICING COMPLETE.