

SCP™ Installation Guide

Sensor Control Programmable

WARNING: All wiring must be done by a qualified electrician. Products must be grounded in accordance with local codes or the National Electrical Code. Failure to do so may result in serious personal injury. Please keep this sheet for future reference.



<https://youtu.be/-9-QNGNgusQ>
Or Search for "AAL SCP"

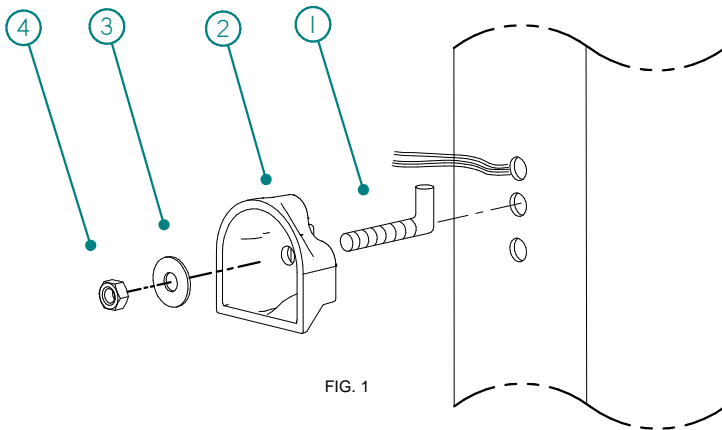


FIG. 1

Please see page 2 for hole drilling dimensions if pole is by others.

Also visit www.aal.net for "SCP Application Guide"

STEP 1 - (Fig 1) Install Mounting Casting onto pole with L-bolt, washer, and nut. A 9/16" deep socket is required (others.)

STEP 2 - (Fig 2-3) Your SCP is pre-wired. Make electrical connections to pole wires with supplied connectors. (Pole wires by others.)

STEP 3 - (Fig 2-3) Install SCP assembly with four (4) set screws. Use purple or blue Loc-Tite to aid in waterproofing (others.)

Remove lens and confirm protective label is removed.

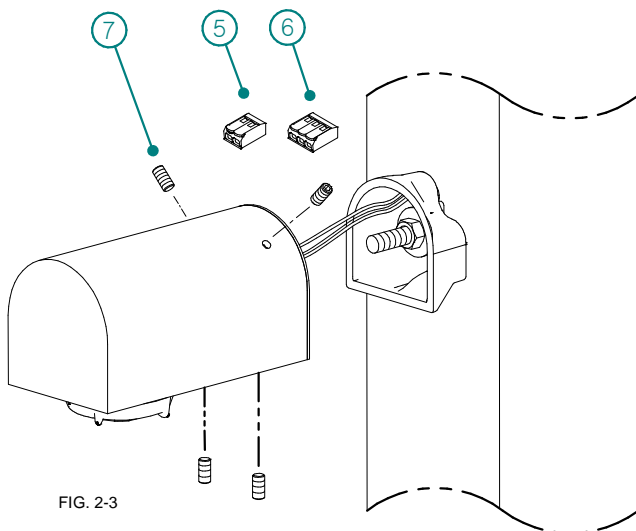
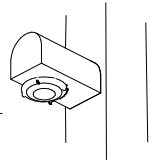


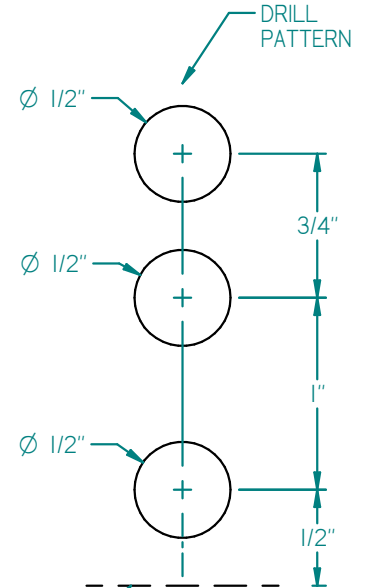
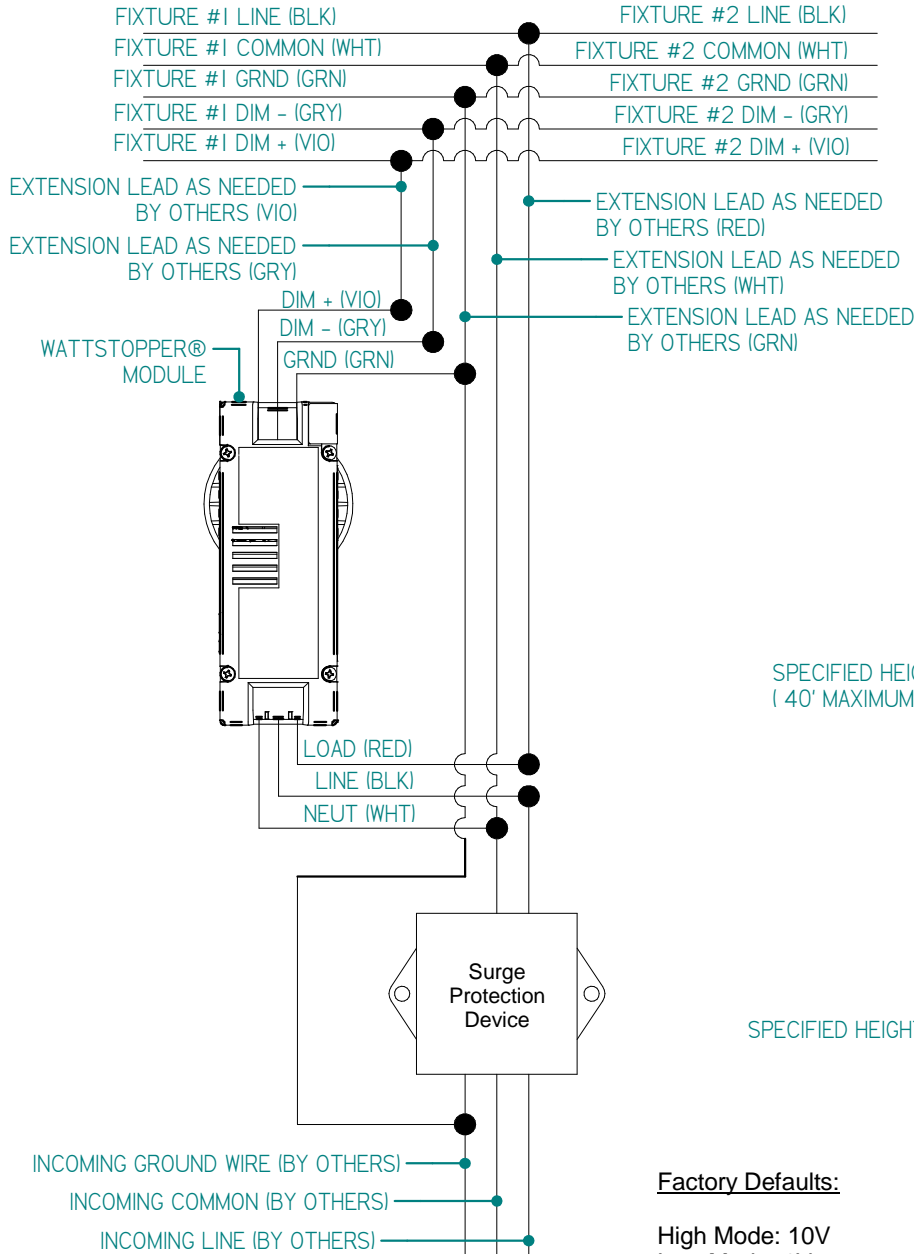
FIG. 2-3

REPLACEMENT PARTS			
ITEM	QTY	PART #	DESCRIPTION
1	1	22125	L-BOLT
2	1	93055339	MOUNTING CASTING
3	1	79781090200	WASHER 3/8"
4	1	93019539	NUT 3/8-16
5	4	0874070B	2-WIRE LEVER LOCK
6	3	0874071B	3-WIRE LEVER LOCK
7	4	58179	SET SCREW 1/4-20 X 1/2"
	1	93048453	SENSOR FSP-211 (120-277V)
	1	93054384	SURGE PROTECTOR 120-277V
	1	93054385	SURGE PROTECTOR 347-480V
	1	93058922	TRANSFORMER 347/480V
	1	SEE PAGE 2	SENSOR LENS

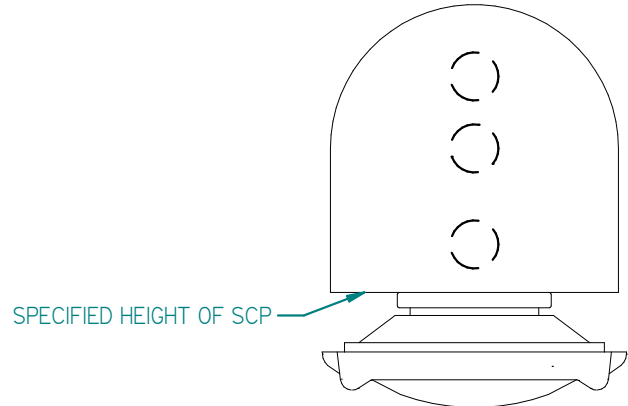


SCP™ Installation Guide

Sensor Control Programmable



SPECIFIED HEIGHT OF SCP
(40' MAXIMUM ABOVE GRADE)



REFERENCE
(1/2 SCALE)

Factory Defaults:

- High Mode: 10V
- Low Mode: 1V
- Ramp-up Rate: Disabled
- Fade-down Rate : Disabled
- Photocell: OFF
- Sensitivity: Full
- Time Delay: Fade to low: 5 minutes
- Time Delay: Fade to off: 1 hour

For custom setup, see the guide included with your Wattstopper remote, or visit <http://www.wattstopper.com/>

REPLACEMENT LENSES	
PART #	DESCRIPTION
95008190	LENS FSP-L7 (WHITE)
93059071	LENS FSP-L7-B (BLACK)
93059072	LENS FSP-L7-G (GREY)