

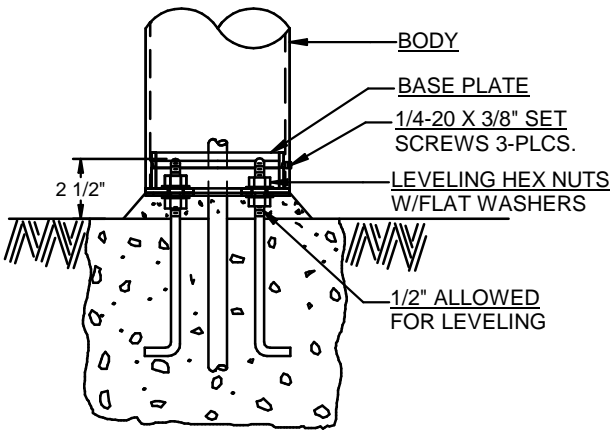
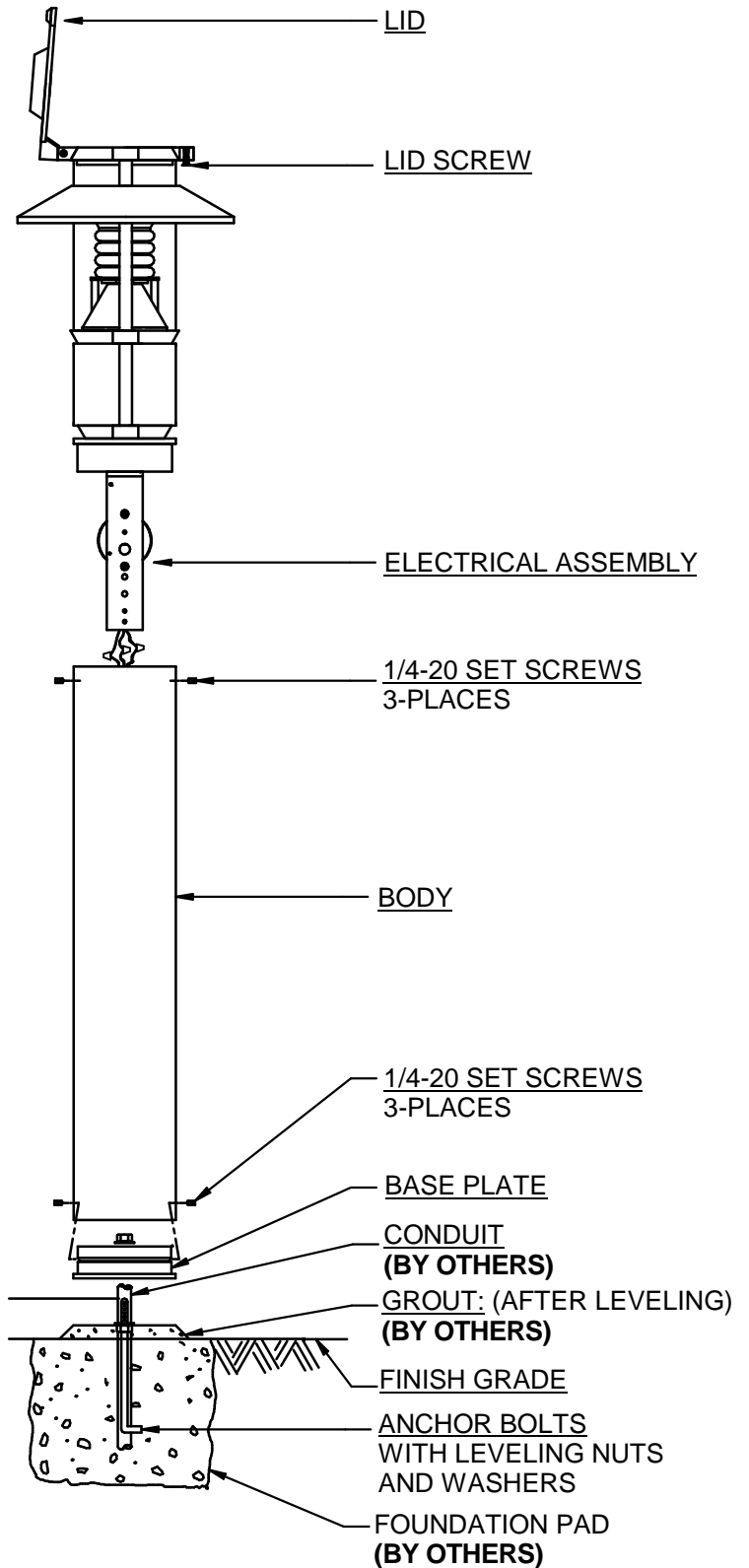
INSTALLATION INSTRUCTIONS

CATALOG NUMBER

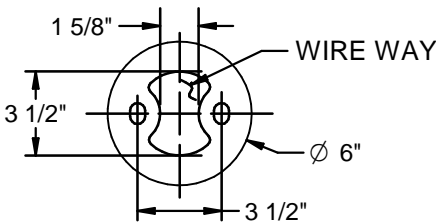
SPB-LED

NOTES:

- 1) PLACE BASE PLATE OVER ANCHOR BOLTS, LEVEL AND TIGHTEN NUTS (**SEE BELOW**). PLACE BODY OVER BASE AND SECURE WITH (3) 1/4-20 SET SCREWS.
- 2) ADEQUATE DRAINAGE MUST BE PROVIDED IN CONCRETE FOUNDATION OR IN GROUT.
- 3) ATTACH ELECTRICAL ASSEMBLY TO BOTTOM OF FIXTURE AND SECURE WITH (3) 1/4-20 SCREWS AS SHOWN.
- 4) MAKE WIRE CONNECTIONS TO INCOMING LINE. CONNECT GREEN GROUND LEAD TO EQUIPMENT GROUND.
- 5) PLACE FIXTURE ON TOP OF BODY AND SECURE IN PLACE WITH (3) 1/4-20 SET SCREWS.
- 6) LOOSEN LID SCREW, OPEN LID AND REMOVE ALL PACKING MATERIAL. CLOSE LID AND SECURE IN PLACE.
- 7) INSTALLATION IS COMPLETE.



BASE INSTALLATION (DETAIL)



BASE BOTTOM VIEW (MTG. DETAIL)

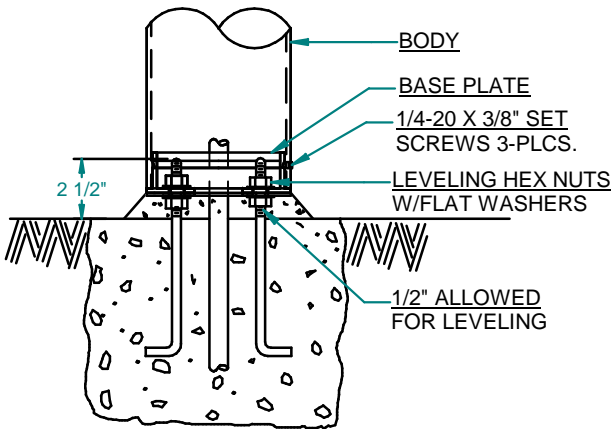
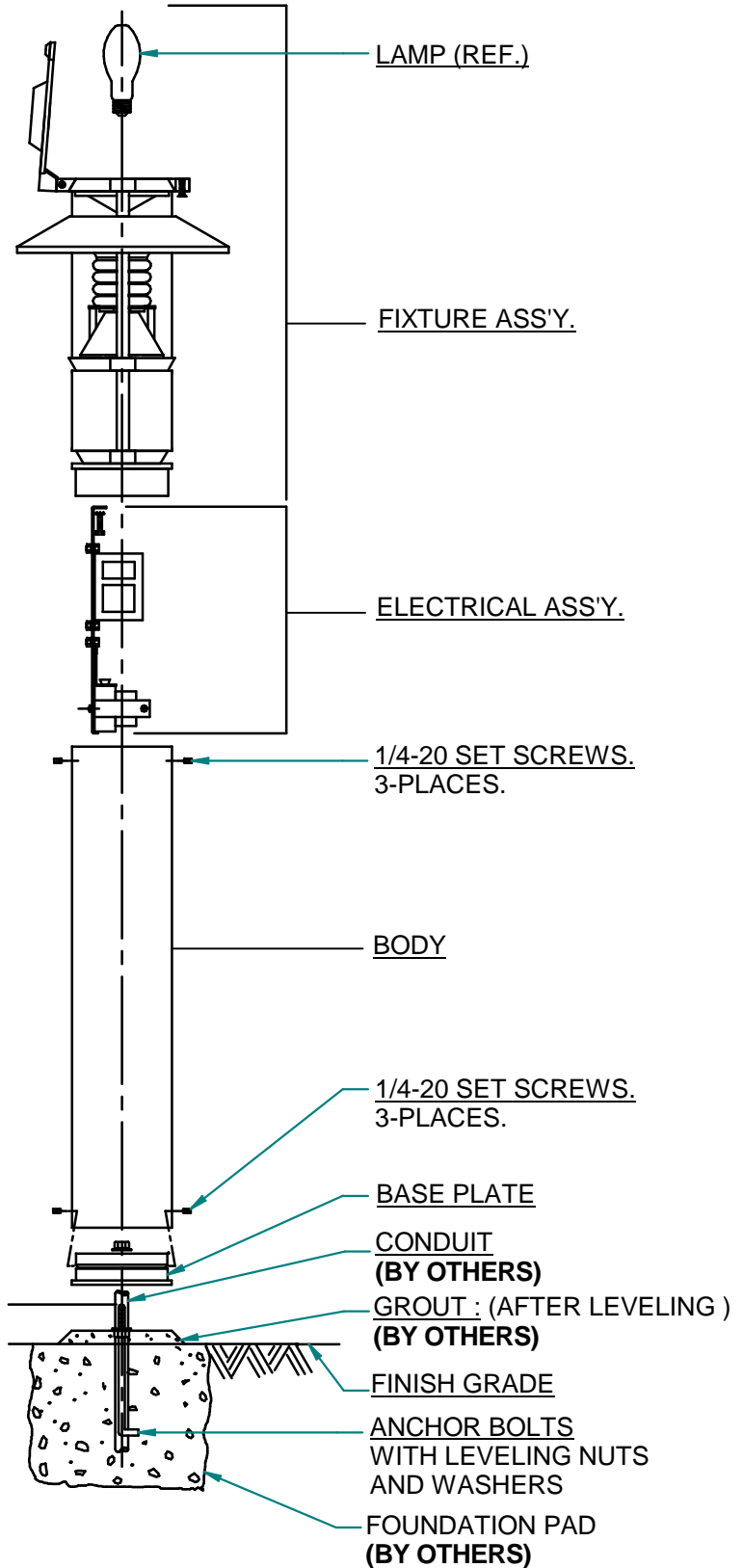
INSTALLATION INSTRUCTIONS

CATALOG NUMBER

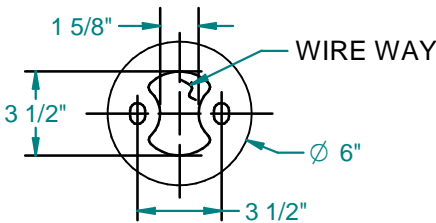
SPB

NOTES:

- 1) PLACE BASE PLATE OVER ANCHOR BOLTS, LEVEL AND TIGHTEN NUTS, **(SEE BELOW)**. PLACE BODY OVER BASE AND SECURE WITH (3)-1/4-20 SET SCREWS.
- 2) **ADEQUATE DRAINAGE MUST BE PROVIDED IN CONCRETE FOUNDATION OR IN GROUT.**
- 3) ATTACH ELECTRICAL ASSEMBLY TO BOTTOM OF FIXTURE AND SECURE WITH **(2) 1/4-20 BOLTS AS SHOWN.**
- 4) MAKE WIRE CONNECTIONS FROM SOCKET TO BALLAST AND FROM BALLAST ASSEMBLY TO INCOMING LINE. **(NOTE -CONNECT GREEN GROUND LEAD TO EQUIPMENT GROUND.)**
- 5) PLACE FIXTURE ON TOP OF BODY AND SECURE IN PLACE WITH (3)- 1/4-20 SET SCREWS.
- 6) LOOSEN SCREW , OPEN LID AND INSTALL LAMP. CLOSE LID AND SECURE INPLACE.
- 7) INSTALLATION IS COMPLETE.



BASE INSTALLATION (DETAIL)



BASE BOTTOM VIEW (MTG. DETAIL)