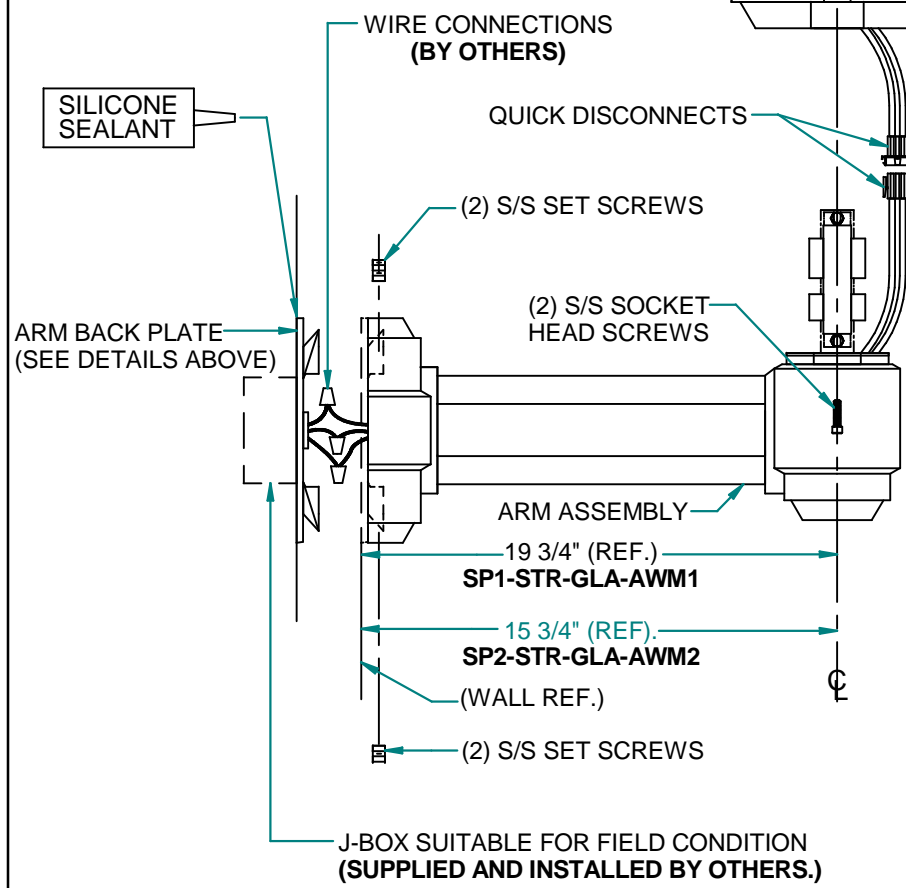
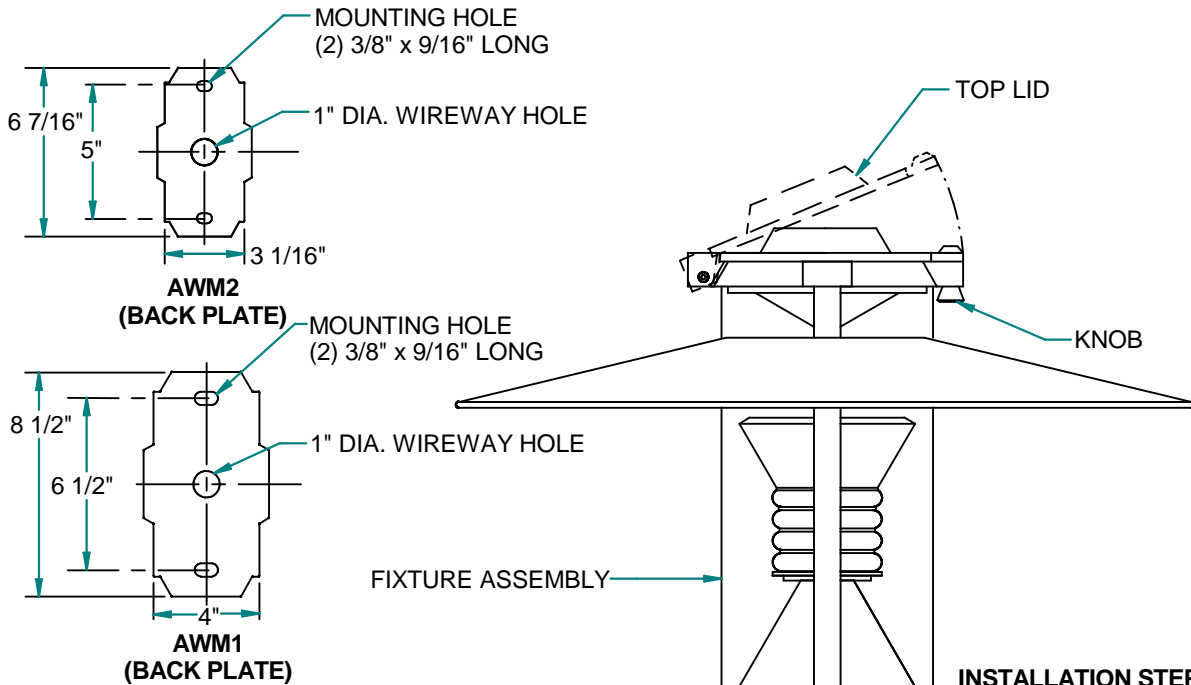


INSTALLATION INSTRUCTIONS

CATALOG NUMBER
SP1-STR-GLA-AWM1
SP2-STR-GLA-AWM2



INSTALLATION STEPS:

- 1) TURN POWER OFF
- 2) SECURE BACK PLATE TO MTG SURFACE. **(NOT FOR J-BOX MOUNTING. MTG HARDWARE BY OTHERS).**
- 3) MAKE WIRE CONNECTIONS FROM INCOMING SUPPLY TO ARM ASS'Y AS SHOWN.
- 4) PLACE ARM ASSEMBLY OVER BACK PLATE AND SECURE FIRMLY WITH (4) S/S SET SCREWS.
- 5) CONNECT WIRE HARNESS FROM FIXTURE ASS'Y TO ARM ASS'Y AS SHOWN.
- 6) PLACE FIXTURE ASS'Y ONTO ARM ASS'Y AND SECURE WITH (2) S/S 1/4-20 x 3/4" SOCKET HEAD SCREWS.
- 7) SILICONE ALL AROUND BACK PLATE AND MOUNTING SURFACE AS SHOWN.
- 8) LOOSEN KNOB FROM TOP LID AS SHOWN.
- 9) OPEN TOP LID AND INSTALL LAMP.
- 10) CLOSE LID AND SECURE.
- 11) TURN POWER ON.

INSTALLATION INSTRUCTIONS

CATALOG NUMBER

SP2-IND

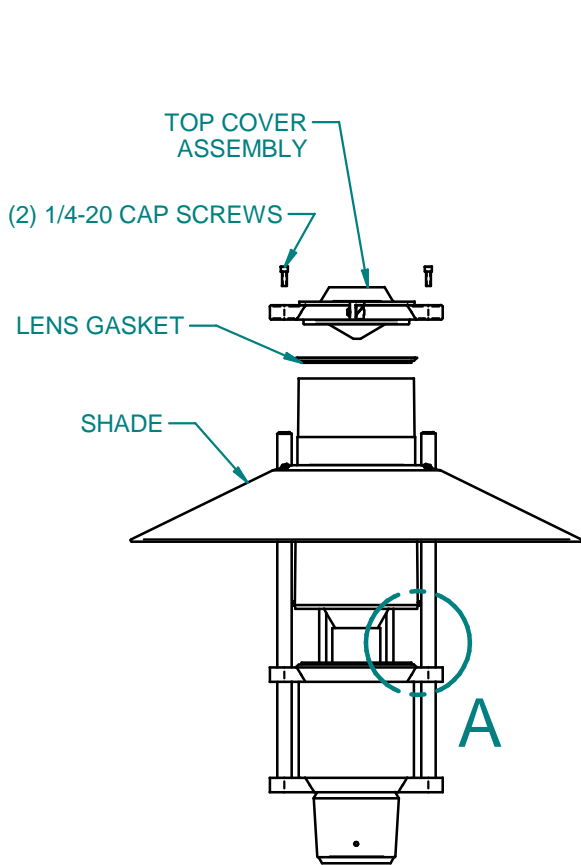
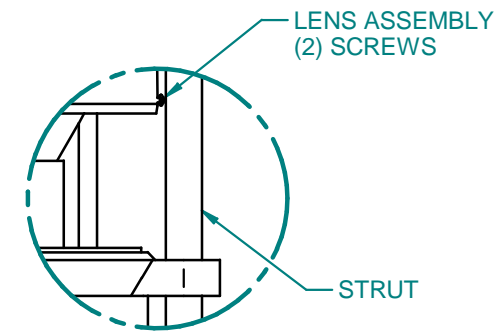


FIG: 1



DETAIL A

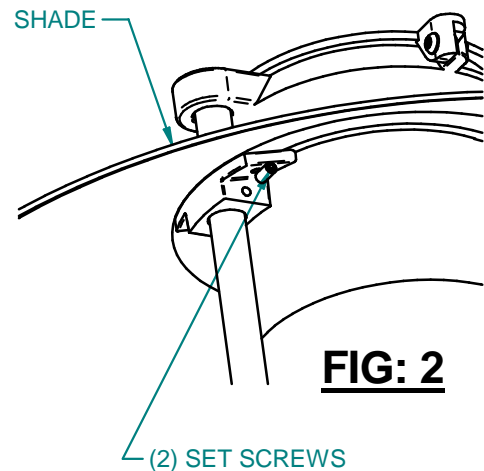
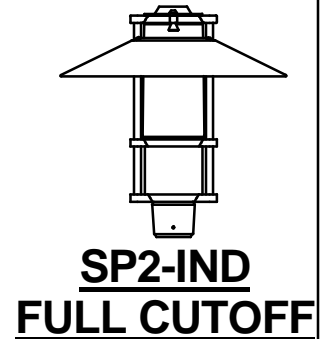
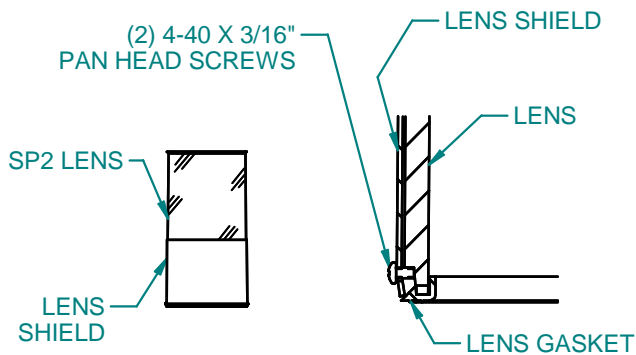


FIG: 2



LENS ASSY

FIG: 3

INSTALLATION STEPS:

1. TURN OFF POWER.
2. REMOVE (2) 1/4-20 CAP SCREWS FROM TOP COVER ASSEMBLY (SEE FIG. 1).
3. LOOSEN SET SCREWS FROM UNDERSIDE OF SHADE ASSEMBLY (SEE FIG. 2).
4. REMOVE EXISTING LENS, LENS GASKETS AND SHADE ASSEMBLY.
5. ASSEMBLY SHIELDED LENS: SLIDE LENS SHIELD OVER LENS. SHIELD AND BOTTOM OF LENS ARE EVEN WITH GASKET BETWEEN (SEE FIG. 3).
6. SECURE LENS SHIELD ASSEMBLY WITH (2) 4-40 SCREWS (SEE FIG. 3).
7. INSTALL SHIELDED LENS ASSEMBLY AND ALIGN SCREWS BEHIND STRUTS.
8. INSTALL FULL CUTOFF SHADE ASSEMBLY OVER STRUTS (SEE DETAIL A).
9. REPLACE LENS GASKET OVER TOP OF LENS
10. INSTALL TOP COVER OVER LENS AND STRUTS AND SECURE WITH (2) 1/4-20 CAP SCREWS.
11. SECURE FULL CUTOFF SHADE ASSEMBLY AGAINST TOP COVER ASSEMBLY
12. INSTALLATION COMPLETE.