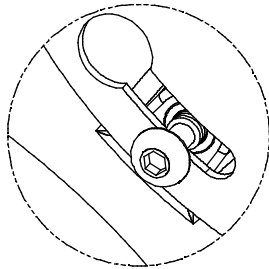


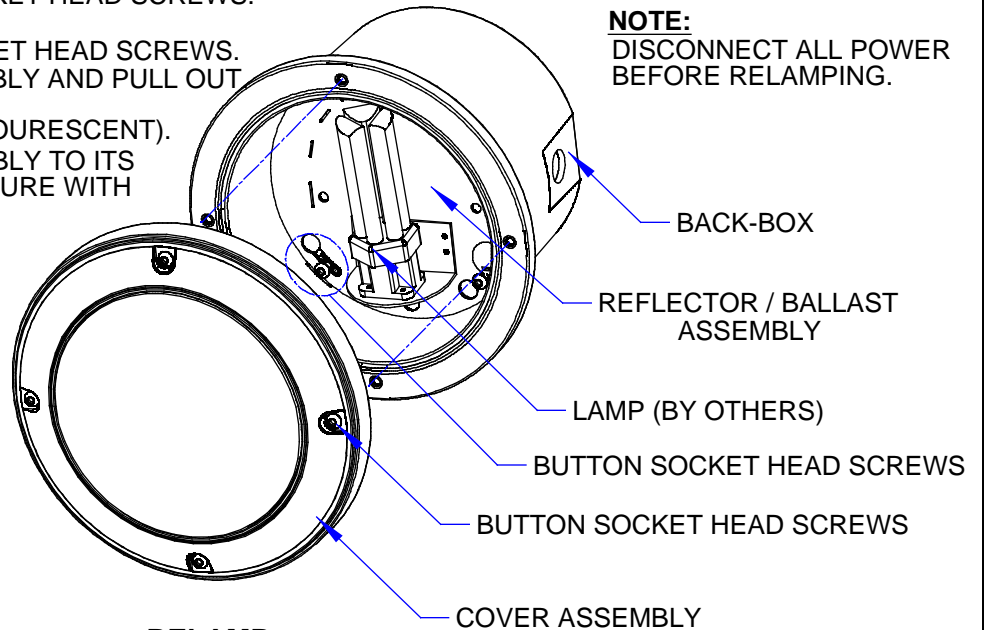
INSTALLATION INSTRUCTIONS

1. LOOSEN FOUR BUTTON SOCKET HEAD SCREWS.
2. REMOVE COVER ASSEMBLY.
3. LOOSEN TWO BUTTON SOCKET HEAD SCREWS.
4. ROTATE REFLECTOR ASSEMBLY AND PULL OUT
5. INSTALL LAMP
(4-PIN 26 WATT COMPACT FLOURESCENT).
6. INSTALL REFLECTOR ASSEMBLY TO ITS ORIGINAL POSITION AND SECURE WITH TWO BUTTON SOCKET HEAD SCREWS.
7. SECURE COVER ASSEMBLY TO BACK-BOX.

NOTE:
DISCONNECT ALL POWER
BEFORE RELAMPING.



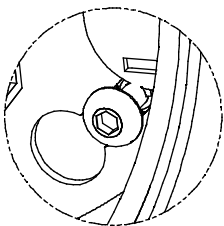
DETAIL
(2) BUTTON SOCKET
HEAD SCREWS



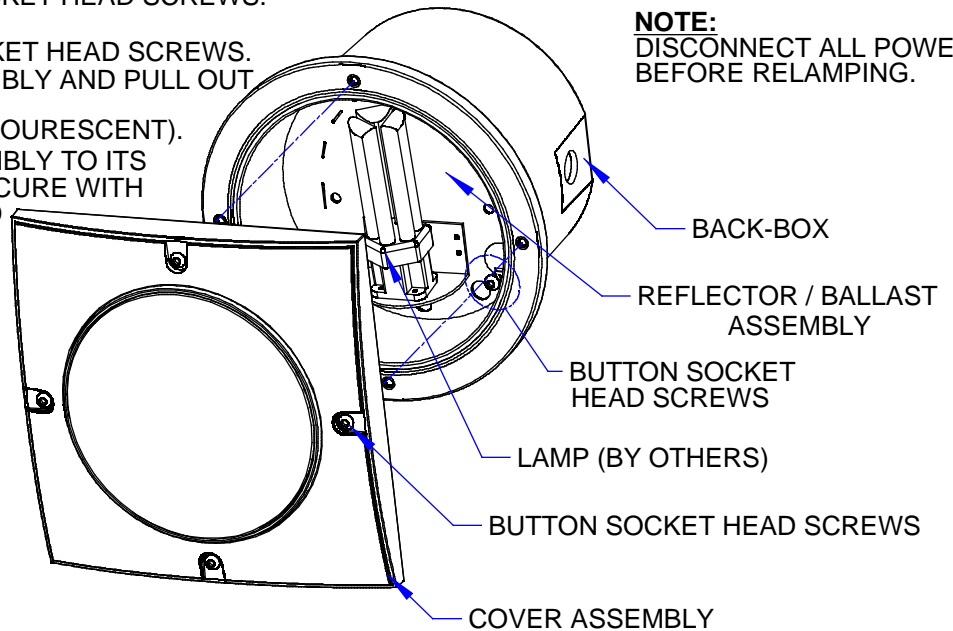
RELAMP

1. LOOSEN FOUR BUTTON SOCKET HEAD SCREWS.
2. REMOVE COVER ASSEMBLY.
3. LOOSEN TWO BUTTON SOCKET HEAD SCREWS.
4. ROTATE REFLECTOR ASSEMBLY AND PULL OUT
5. INSTALL LAMP
(4-PIN 26 WATT COMPACT FLOURESCENT).
6. INSTALL REFLECTOR ASSEMBLY TO ITS ORIGINAL POSITION AND SECURE WITH TWO BUTTON SOCKET HEAD SCREWS.
7. SECURE COVER ASSEMBLY TO BACK-BOX.

NOTE:
DISCONNECT ALL POWER
BEFORE RELAMPING.



DETAIL
(2) BUTTON SOCKET
HEAD SCREWS



RELAMP

A RCHITECTURAL

A REA

L IGHING

14249 Artesia Blvd. P.O. Box 1869
La Mirada CA. 90638-1869
714-994-2700 Fax 714-994-0522

CATALOG NUMBER
ASL10 RD. & SQ.
CF26

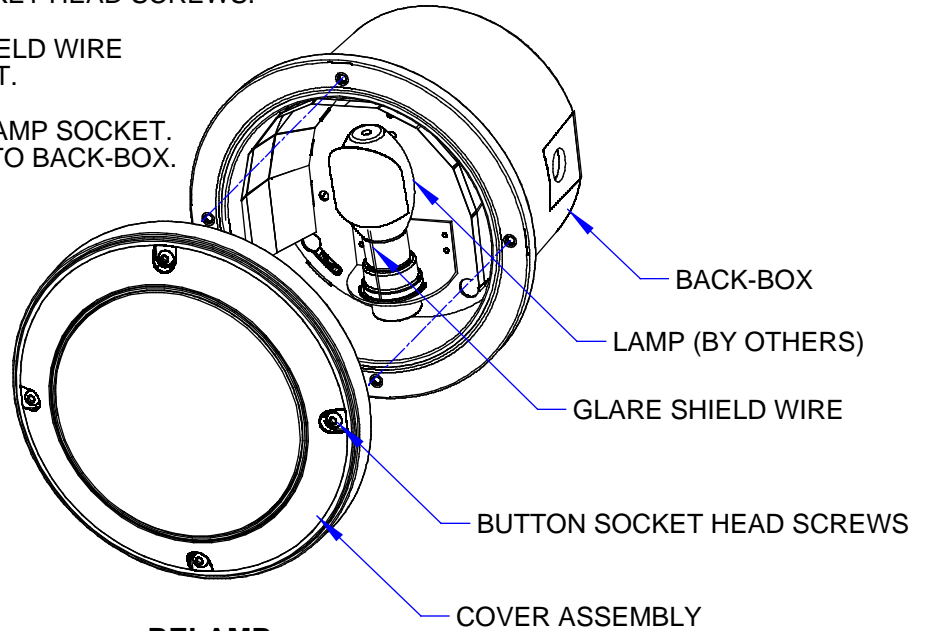
PART NO.
A96230 (AAL)

DATE APPRVD

DATE REV

INSTALLATION INSTRUCTIONS

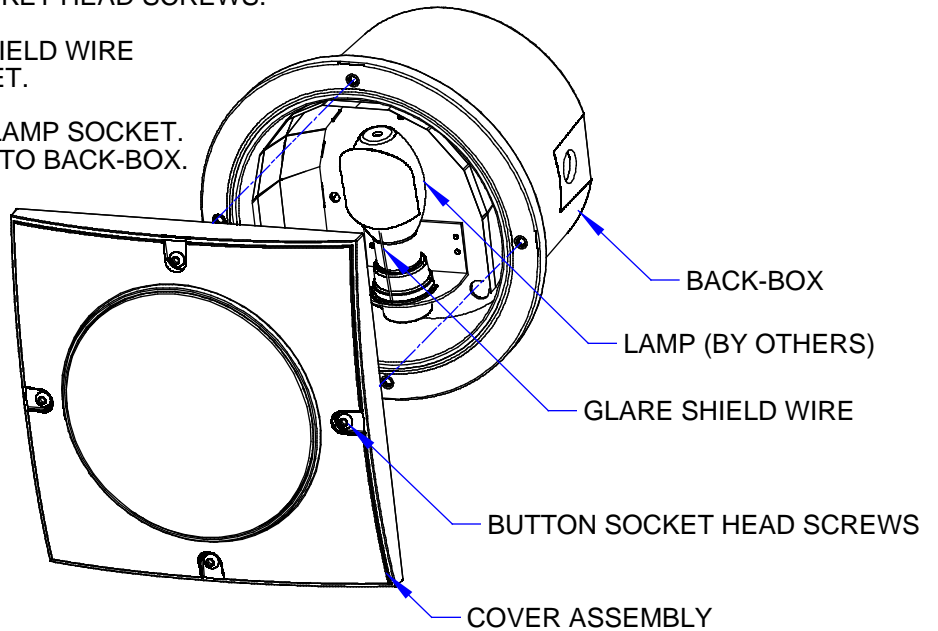
1. LOOSEN FOUR BUTTON SOCKET HEAD SCREWS.
2. REMOVE COVER ASSEMBLY.
3. REMOVE SNAP-IN GLARE SHIELD WIRE FROM AROUND LAMP SOCKET.
4. INSTALL LAMP (ED17).
5. ATTACH GLARE SHIELD TO LAMP SOCKET.
6. SECURE COVER ASSEMBLY TO BACK-BOX.



NOTE:
DISCONNECT ALL POWER BEFORE RELAMPING.

RELAMP

1. LOOSEN FOUR BUTTON SOCKET HEAD SCREWS.
2. REMOVE COVER ASSEMBLY.
3. REMOVE SNAP-IN GLARE SHIELD WIRE FROM AROUND LAMP SOCKET.
4. INSTALL LAMP (ED17).
5. ATTACH GLARE SHIELD TO LAMP SOCKET.
6. SECURE COVER ASSEMBLY TO BACK-BOX.



NOTE:
DISCONNECT ALL POWER BEFORE RELAMPING.

RELAMP

A RCHITECTURAL

A REA

L IGHTING

14249 Artesia Blvd. P.O. Box 1869
La Mirada CA. 90638-1869
714-994-2700 Fax 714-994-0522

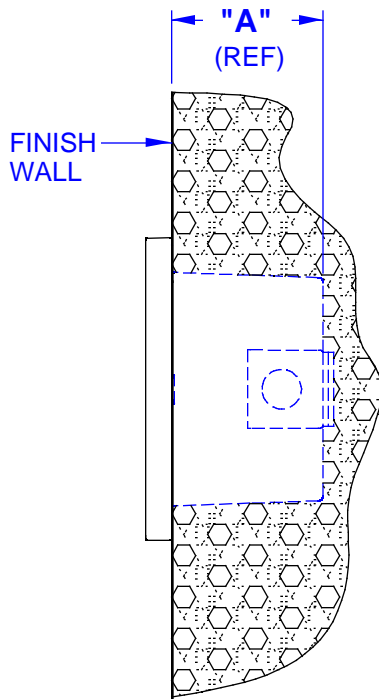
CATALOG NUMBER
ASL10 RD. & SQ.
HID

PART NO.
A96229 (AAL)

DATE APPRVD

DATE REV

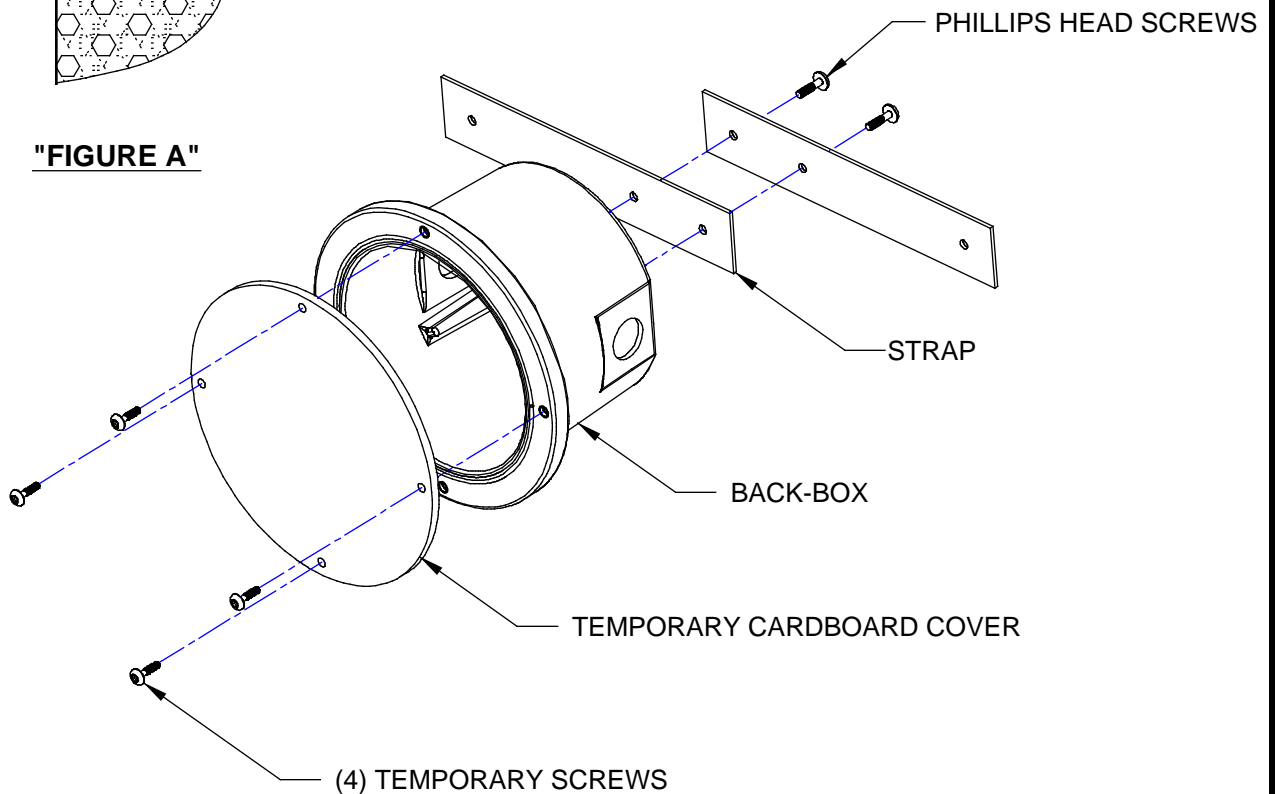
INSTALLATION INSTRUCTIONS



"FIGURE A"

1. MOUNT TWO STRAPS TO THE BACK OF THE BACK-BOX USING TWO PHILLIPS HEAD SCREWS.
2. POSITION AND SECURE BACK-BOX TO DESIRE LOCATION POUR CONCRETE.
3. INSTALLATION SHOULD RESEMBLE "FIGURE A". AFTER COMPLETION.
4. REMOVE FOUR TEMPORARY SCREWS AND CARDBOARD COVER FROM BACK-BOX AND DISCARD.

CATALOG NO.	"A"
ASL7	3.60" (91 mm)
ASL10	6.10" (155 mm)



A RCHITECTURAL
A REA
L IGHTEING

14249 Artesia Blvd. P.O. Box 1869
 La Mirada CA. 90638-1869
 714-994-2700 Fax 714-994-0522

CATALOG NUMBER

ASL7 / ASL10

PART NO.

A96231 (AAL)

DATE

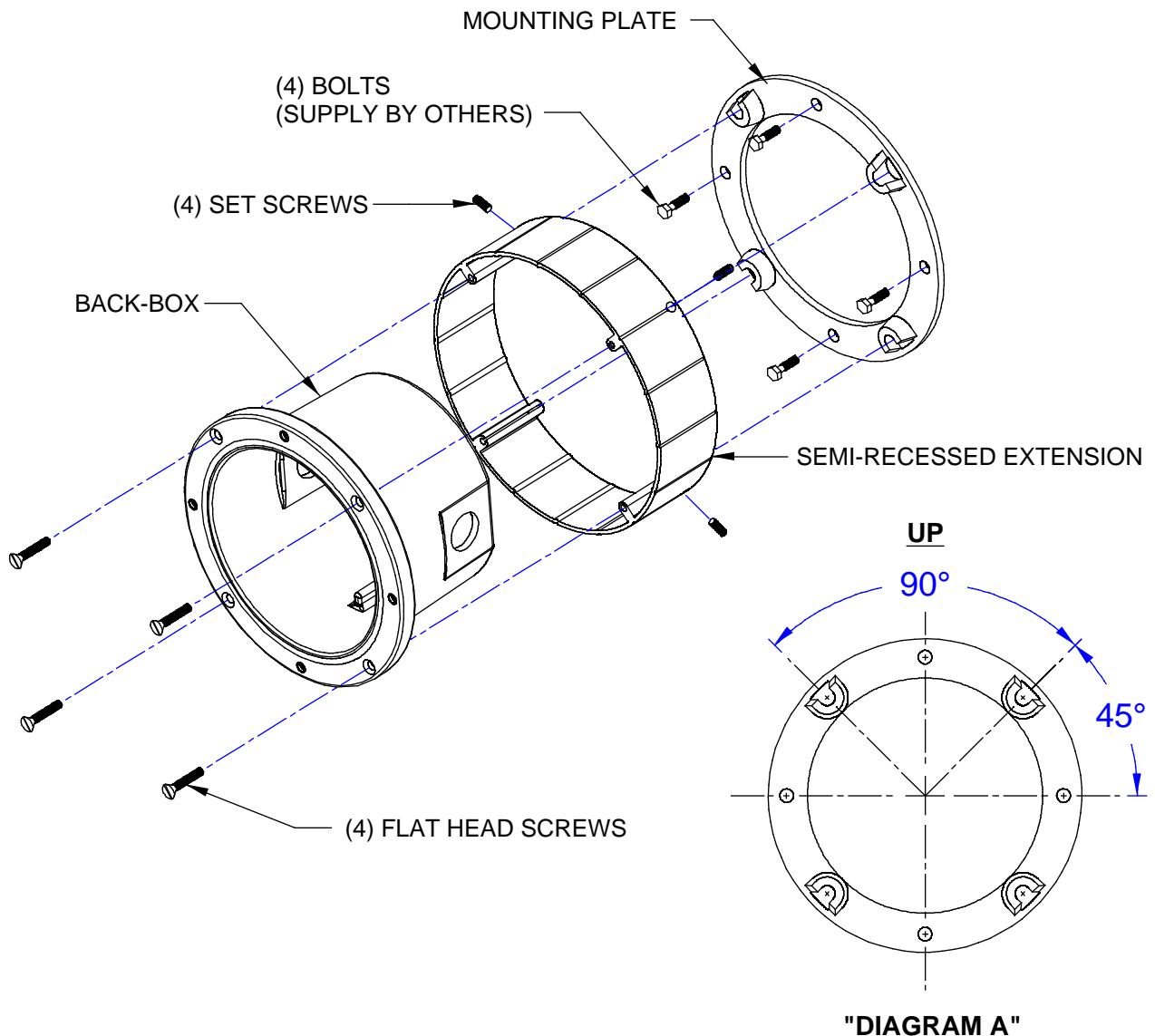
APPRVD

DATE

REV

INSTALLATION INSTRUCTIONS

1. SECURE MOUNTING PLATE TO WALL BY MEANS OF FOUR BOLTS (BOLTS SUPPLY BY OTHERS). SEE " DIAGRAM A" FOR MOUNTING ORIENTATION.
2. MOUNT SEMI- RECESSED EXTENSION TO MOUNTING PLATE WITH FOUR SET SCREWS.
3. RUN ELECTRICAL WIRES FROM THE WALL INTO THE BACK-BOX.
4. PLACE BACK-BOX INTO SEMI-RECESSED EXTENSION. SECURE BACK-BOX WITH FOUR FLAT HEAD SCREWS.



A RCHITECTURAL
A REA
L IGHTING

14249 Artesia Blvd. P.O. Box 1869
 La Mirada CA. 90638-1869
 714-994-2700 Fax 714-994-0522

CATALOG NUMBER

ASL7 / ASL10

PART NO.

A96232 (AAL)

DATE

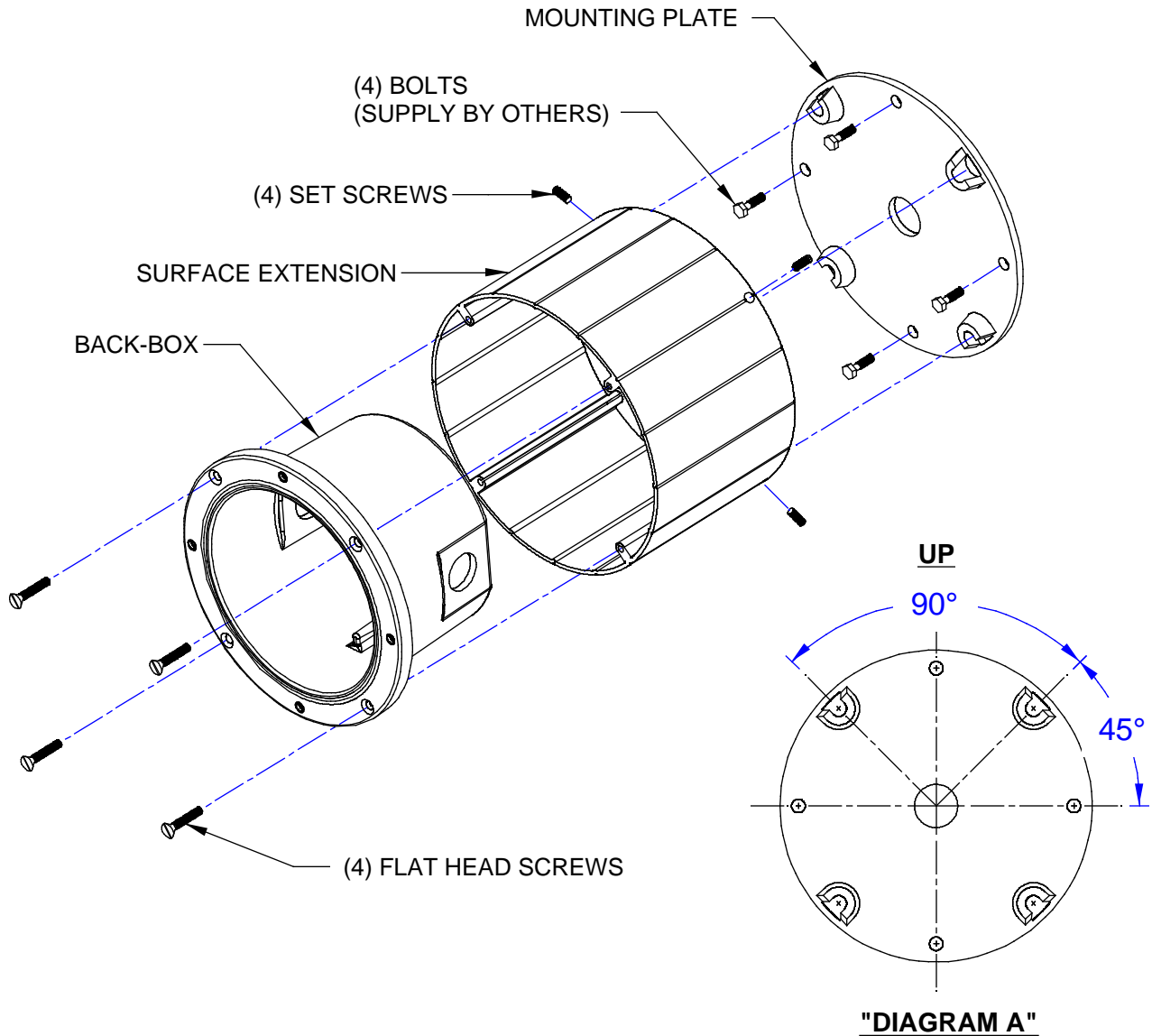
APPRVD

DATE

REV

INSTALLATION INSTRUCTIONS

1. SECURE MOUNTING PLATE TO WALL BY MEANS OF FOUR BOLTS (BOLTS SUPPLY BY OTHERS). SEE " DIAGRAM A" FOR MOUNTING ORIENTATION.
2. MOUNT SURFACE EXTENSION TO MOUNTING PLATE WITH FOUR SET SCREWS.
3. RUN ELECTRICAL WIRES FROM THE WALL INTO THE BACK-BOX.
4. PLACE BACK-BOX INTO SURFACE EXTENSION. SECURE BACK-BOX WITH FOUR FLAT HEAD SCREWS.



A RCHITECTURAL
A REA
L IGHTEING

14249 Artesia Blvd. P.O. Box 1869
 La Mirada CA. 90638-1869
 714-994-2700 Fax 714-994-0522

CATALOG NUMBER

ASL7 / ASL10

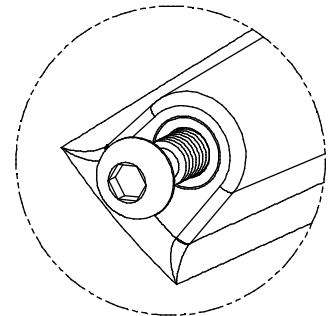
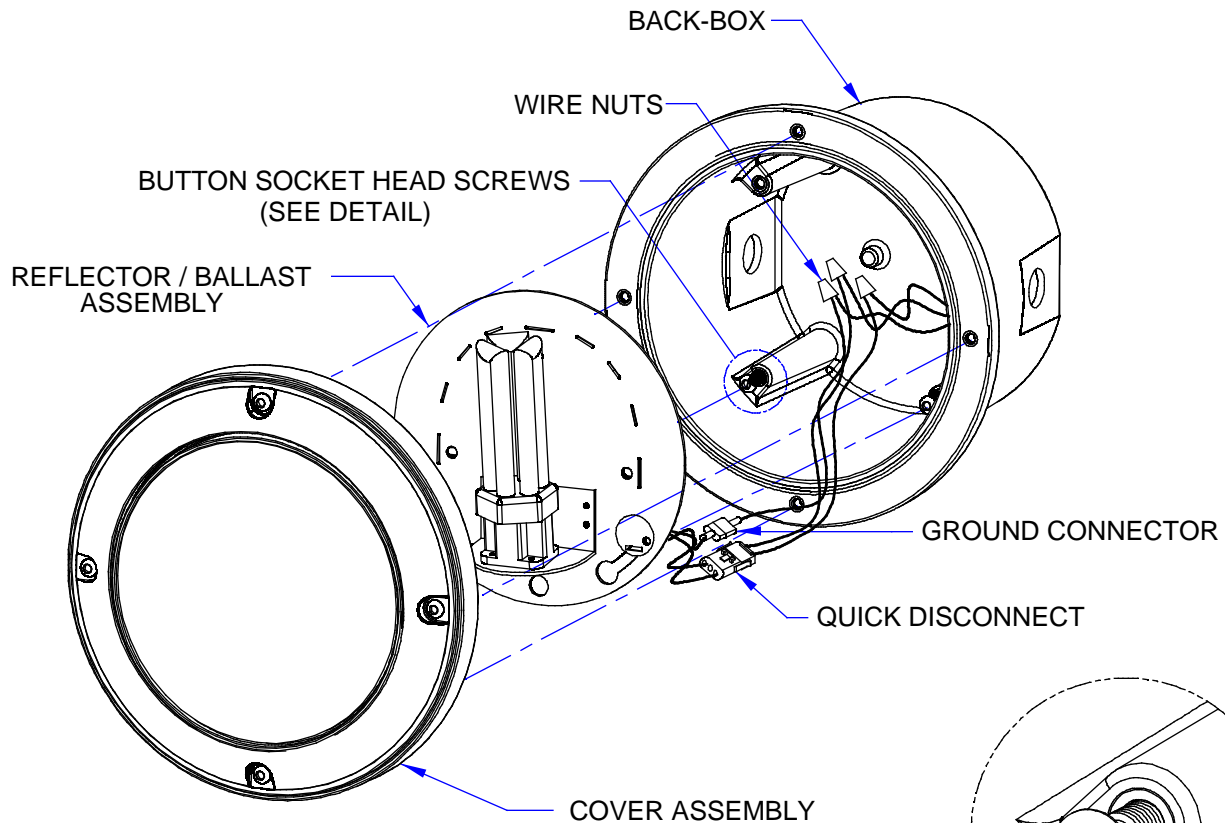
PART NO. A96233 (AAL)

DATE APPRVD

DATE REV

INSTALLATION INSTRUCTIONS

1. CONNECT INCOMING LINES TO WIRE LEADS WITH WIRE NUTS.
2. MOUNT REFLECTOR / BALLAST ASSEMBLY TO THE BACK-BOX WITH TWO BUTTON SOCKET HEAD SCREWS SUPPLIED. LAMP SOCKET SHOULD ALWAYS REMAIN AT THE BOTTOM. AS SHOWN.
3. SECURE COVER ASSEMBLY TO THE BACK-BOX WITH FOUR BUTTON SOCKET HEAD SCREWS SUPPLIED.



DETAIL
(2) BUTTON SOCKET
HEAD SCREWS

NOTE:
DISCONNECT ALL POWER BEFORE
INSTALLING REFLECTOR / BALLAST ASSEMBLY.

REFLECTOR / BALLAST ASSEMBLY INSTALLATION

A RCHITECTURAL

A REA

L IGHTING

14249 Artesia Blvd. P.O. Box 1869
La Mirada CA. 90638-1869
714-994-2700 Fax 714-994-0522

CATALOG NUMBER

ASL10 CF26

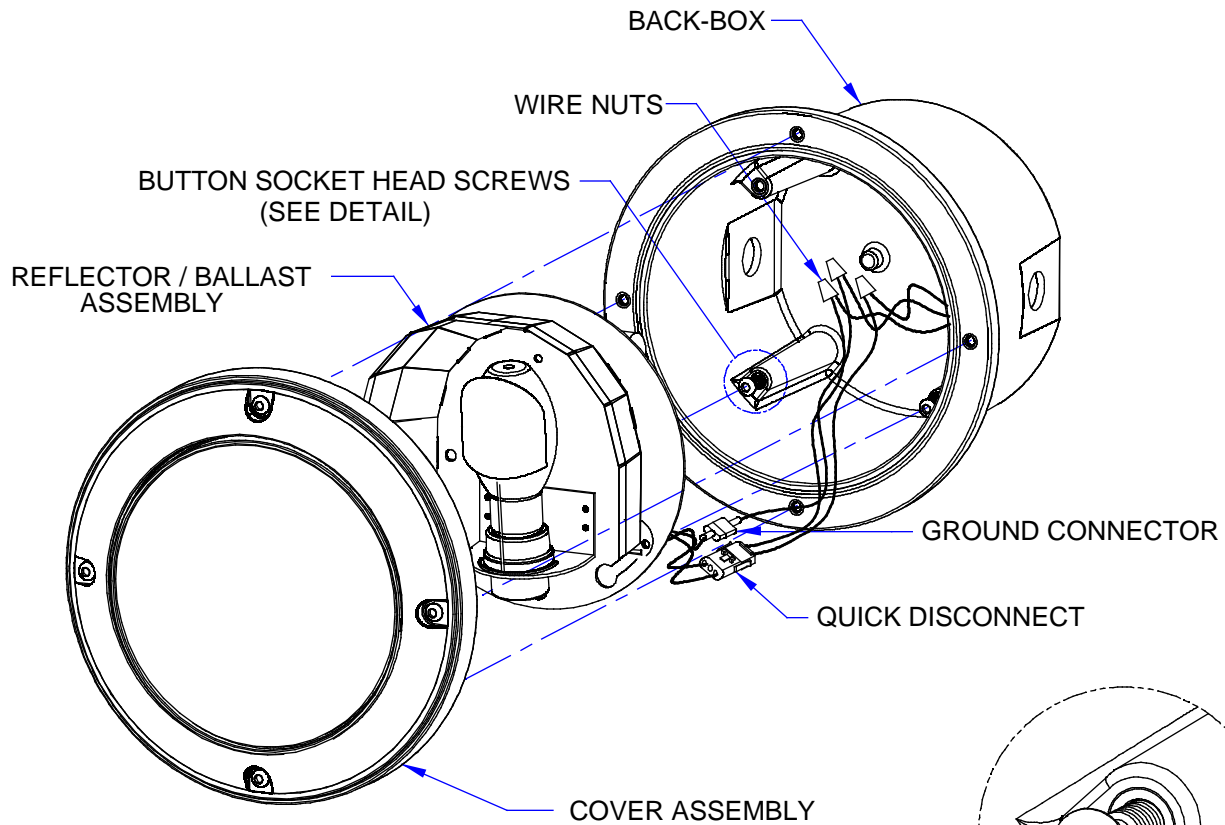
PART NO. **A96236 (AAL)**

DATE APPRVD

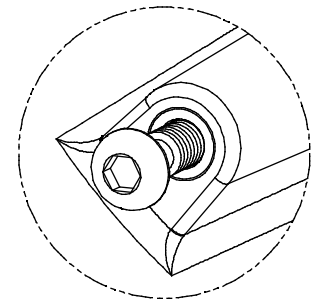
DATE REV

INSTALLATION INSTRUCTIONS

1. CONNECT INCOMING LINES TO WIRE LEADS WITH WIRE NUTS.
2. MOUNT REFLECTOR / BALLAST ASSEMBLY TO THE BACK-BOX WITH TWO BUTTON SOCKET HEAD SCREWS SUPPLIED. LAMP SOCKET SHOULD ALWAYS REMAIN AT THE BOTTOM. AS SHOWN.
3. SECURE COVER ASSEMBLY TO THE BACK-BOX WITH FOUR BUTTON SOCKET HEAD SCREWS SUPPLIED.



NOTE:
DISCONNECT ALL POWER BEFORE
INSTALLING REFLECTOR / BALLAST ASSEMBLY.



DETAIL
(2) BUTTON SOCKET
HEAD SCREWS

REFLECTOR / BALLAST ASSEMBLY INSTALLATION

A RCHITECTURAL

A REA

L IGHTING

14249 Artesia Blvd. P.O. Box 1869
La Mirada CA. 90638-1869
714-994-2700 Fax 714-994-0522

CATALOG NUMBER

ASL10 HID

PART NO. **A96237 (AAL)**

DATE APPRVD

DATE REV