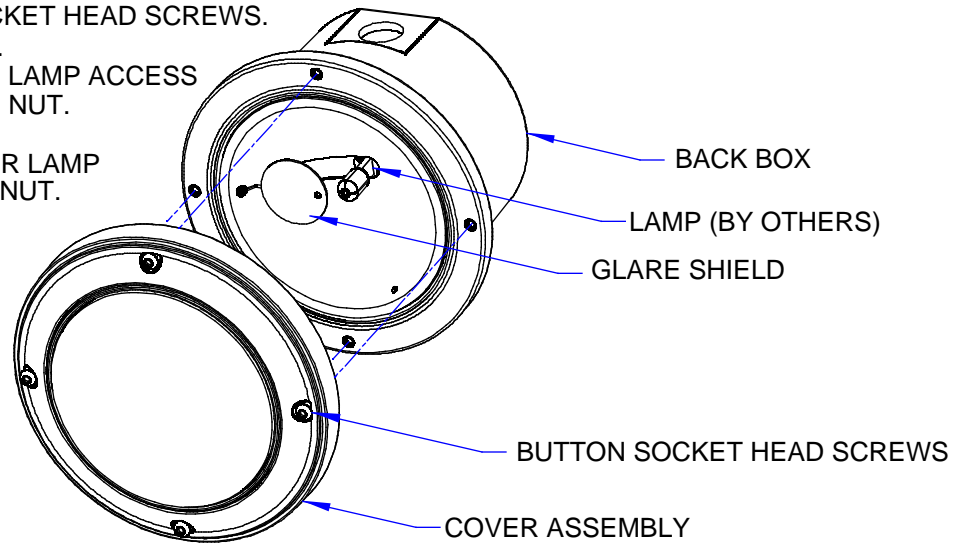


INSTALLATION INSTRUCTIONS

- 1) LOOSEN FOUR BUTTON SOCKET HEAD SCREWS.
- 2) REMOVE COVER ASSEMBLY.
- 3) ROTATE GLARE SHIELD FOR LAMP ACCESS BY LOOSENING SCREW AND NUT.
- 4) INSTALL LAMP (T-4 GY6.35).
- 5) ROTATE GLARE SHIELD OVER LAMP AND TIGHTEN SCREW WITH NUT.
- 6) SECURE COVER ASSEMBLY TO BACK-BOX.

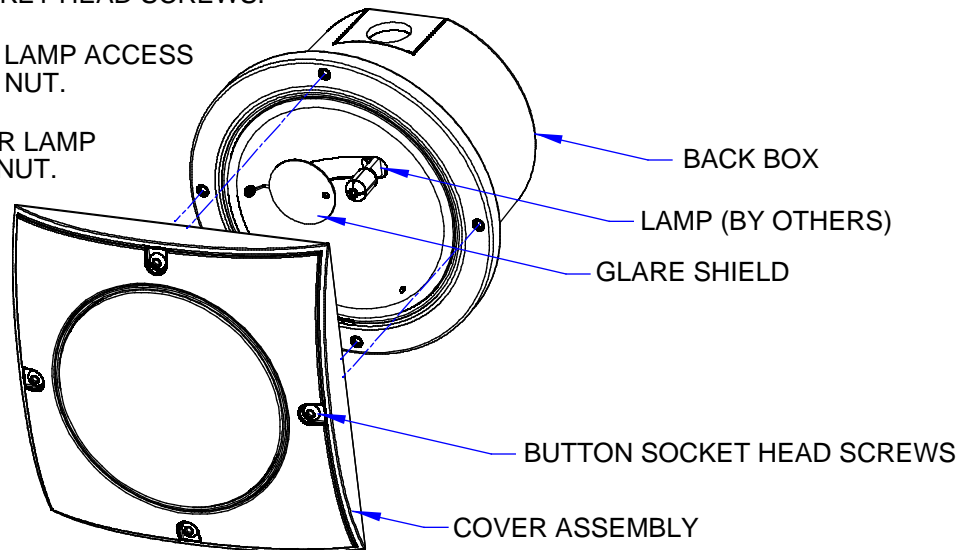


NOTE:

DISCONNECT ALL POWER BEFORE RELAMPING.

RELAMP

- 1) LOOSEN FOUR BUTTON SOCKET HEAD SCREWS.
- 2) REMOVE COVER ASSEMBLY.
- 3) ROTATE GLARE SHIELD FOR LAMP ACCESS BY LOOSENING SCREW AND NUT.
- 4) INSTALL LAMP (T-4 GY6.35).
- 5) ROTATE GLARE SHIELD OVER LAMP AND TIGHTEN SCREW WITH NUT.
- 6) SECURE COVER ASSEMBLY TO BACK-BOX.



NOTE:

DISCONNECT ALL POWER BEFORE RELAMPING.

RELAMP

A RCHITECTURAL

A REA

L IGHTING

14249 Artesia Blvd. P.O. Box 1869
La Mirada CA. 90638-1869
714-994-2700 Fax 714-994-0522

CATALOG NUMBER
ASL7 RD. & SQ.
LV50

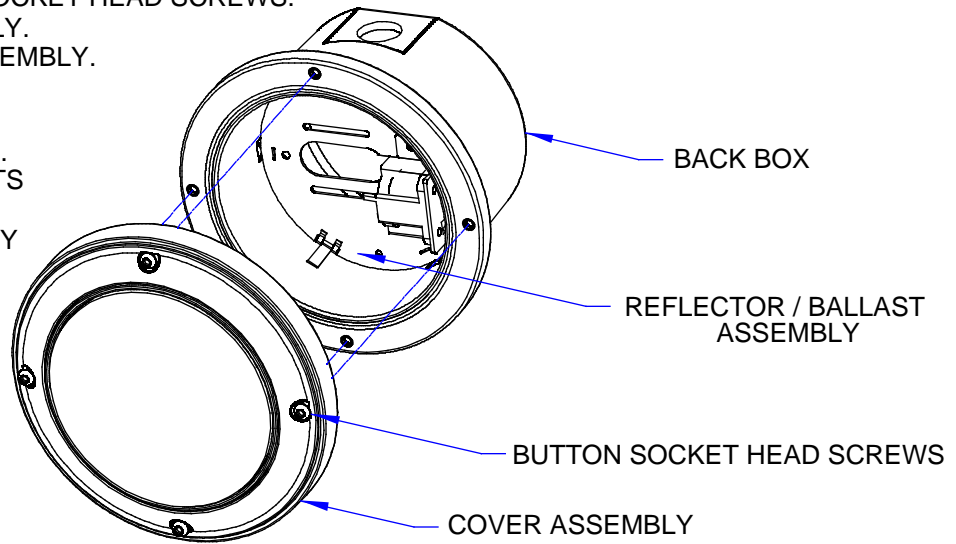
PART NO.
A96227 (AAL)

DATE APPRVD

DATE REV

INSTALLATION INSTRUCTIONS

- 1) LOOSEN FOUR BUTTON SOCKET HEAD SCREWS.
- 2) REMOVE COVER ASSEMBLY.
- 3) REMOVE REFLECTOR ASSEMBLY.
- 4) INSTALL LAMP
(2 PIN 9 WATT 4.3" LONG
COMPACT FLOURESCENT).
- 5) INSTALL REFLECTOR TO ITS
ORIGINAL POSITION.
- 6) SECURE COVER ASSEMBLY
TO BACK-BOX.

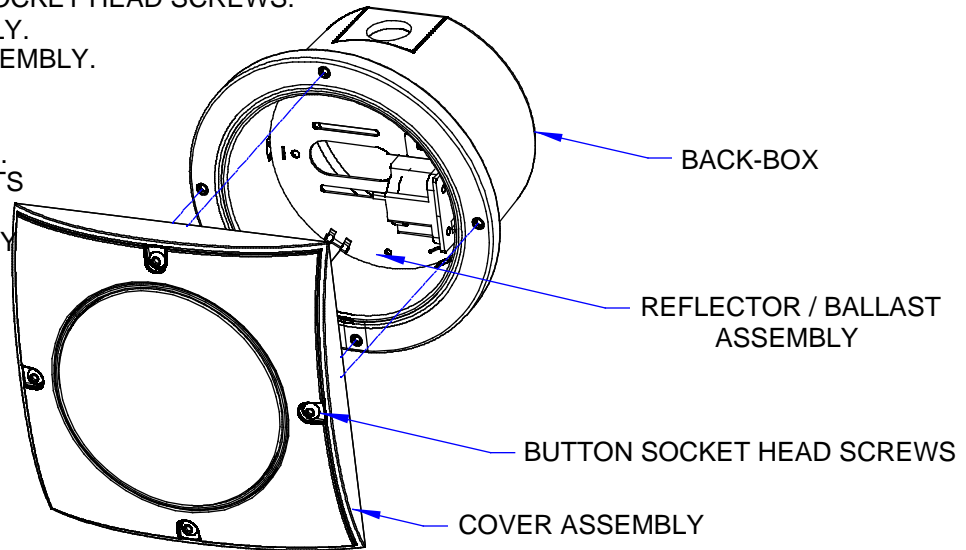


NOTE:

DISCONNECT ALL POWER
BEFORE RELAMPING.

RELAMP

- 1) LOOSEN FOUR BUTTON SOCKET HEAD SCREWS.
- 2) REMOVE COVER ASSEMBLY.
- 3) REMOVE REFLECTOR ASSEMBLY.
- 4) INSTALL LAMP
(2 PIN 9 WATT 4.3" LONG
COMPACT FLOURESCENT).
- 5) INSTALL REFLECTOR TO ITS
ORIGINAL POSITION.
- 6) SECURE COVER ASSEMBLY
TO BACK-BOX.



NOTE:

DISCONNECT ALL POWER
BEFORE RELAMPING.

RELAMP

A RCHITECTURAL

A REA

L IGHTING

14249 Artesia Blvd. P.O. Box 1869
La Mirada CA. 90638-1869
714-994-2700 Fax 714-994-0522

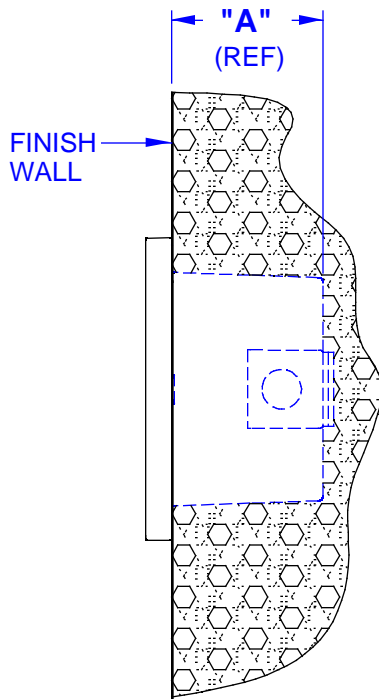
CATALOG NUMBER
ASL7 RD. & SQ.
CF9

PART NO.
A96228 (AAL)

DATE APPRVD

DATE REV

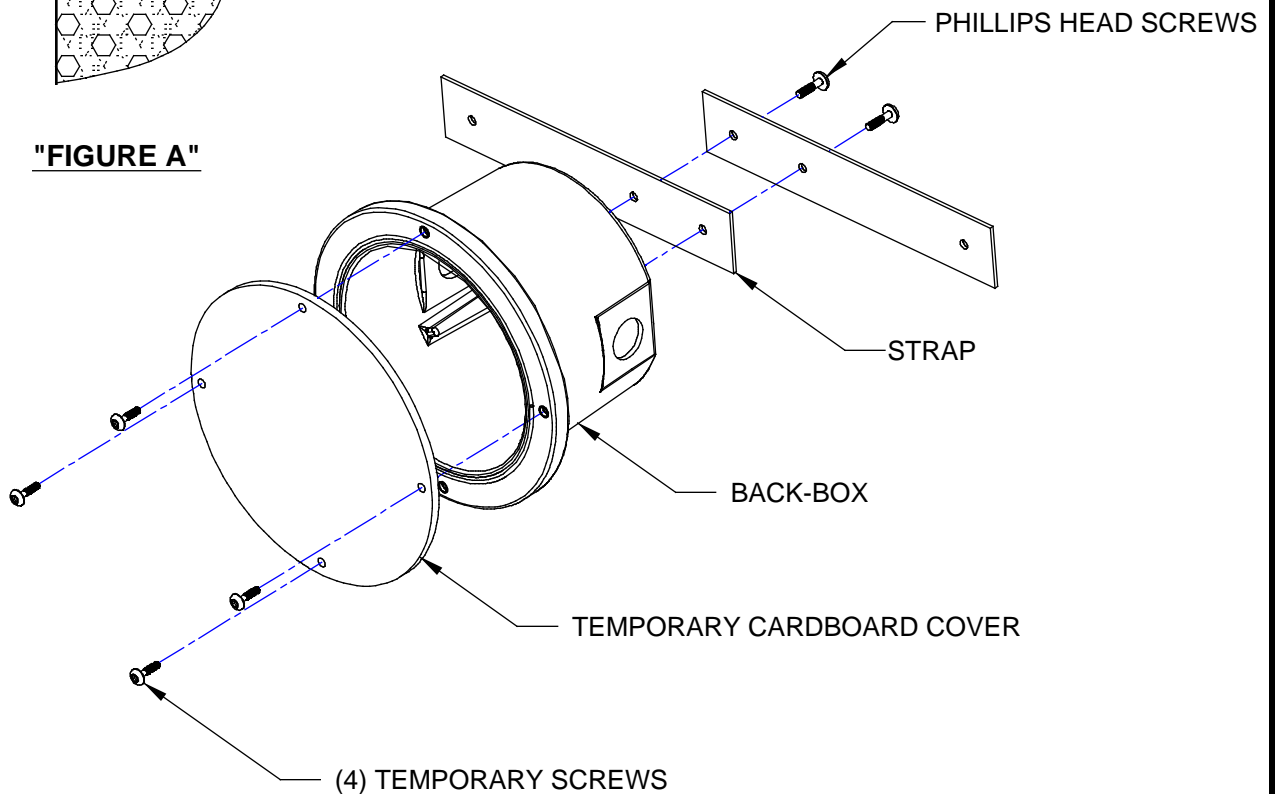
INSTALLATION INSTRUCTIONS



1. MOUNT TWO STRAPS TO THE BACK OF THE BACK-BOX USING TWO PHILLIPS HEAD SCREWS.
2. POSITION AND SECURE BACK-BOX TO DESIRE LOCATION POUR CONCRETE.
3. INSTALLATION SHOULD RESEMBLE "FIGURE A". AFTER COMPLETION.
4. REMOVE FOUR TEMPORARY SCREWS AND CARDBOARD COVER FROM BACK-BOX AND DISCARD.

CATALOG NO.	"A"
ASL7	3.60" (91 mm)
ASL10	6.10" (155 mm)

"FIGURE A"



A RCHITECTURAL
A REA
L IGHING

14249 Artesia Blvd. P.O. Box 1869
 La Mirada CA. 90638-1869
 714-994-2700 Fax 714-994-0522

CATALOG NUMBER

ASL7 / ASL10

PART NO.

A96231 (AAL)

DATE

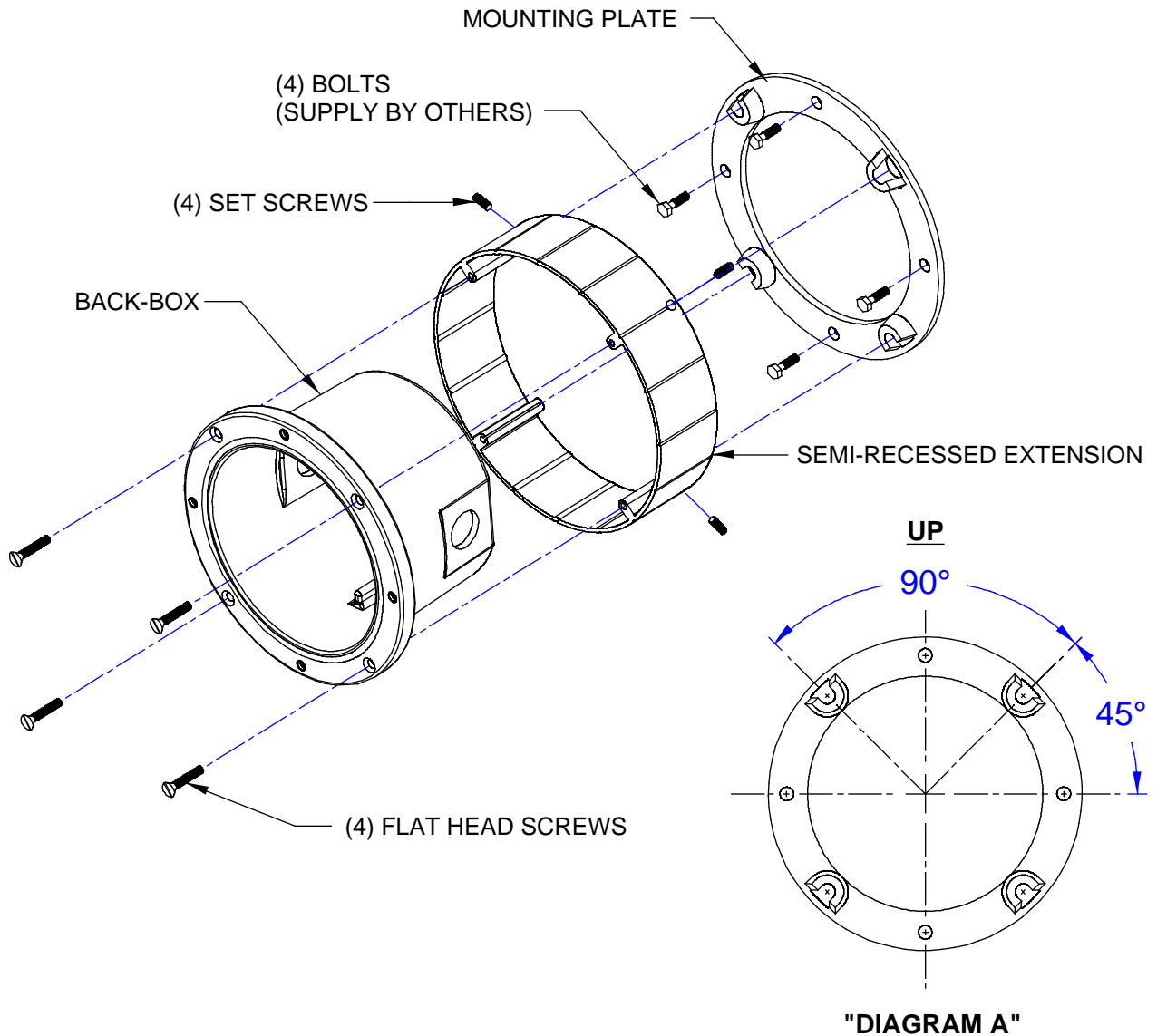
APPRVD

DATE

REV

INSTALLATION INSTRUCTIONS

1. SECURE MOUNTING PLATE TO WALL BY MEANS OF FOUR BOLTS (BOLTS SUPPLY BY OTHERS). SEE " DIAGRAM A" FOR MOUNTING ORIENTATION.
2. MOUNT SEMI- RECESSED EXTENSION TO MOUNTING PLATE WITH FOUR SET SCREWS.
3. RUN ELECTRICAL WIRES FROM THE WALL INTO THE BACK-BOX.
4. PLACE BACK-BOX INTO SEMI-RECESSED EXTENSION. SECURE BACK-BOX WITH FOUR FLAT HEAD SCREWS.



A RCHITECTURAL
A REA
L IGHTEING

14249 Artesia Blvd. P.O. Box 1869
 La Mirada CA. 90638-1869
 714-994-2700 Fax 714-994-0522

CATALOG NUMBER

ASL7 / ASL10

PART NO.

A96232 (AAL)

DATE

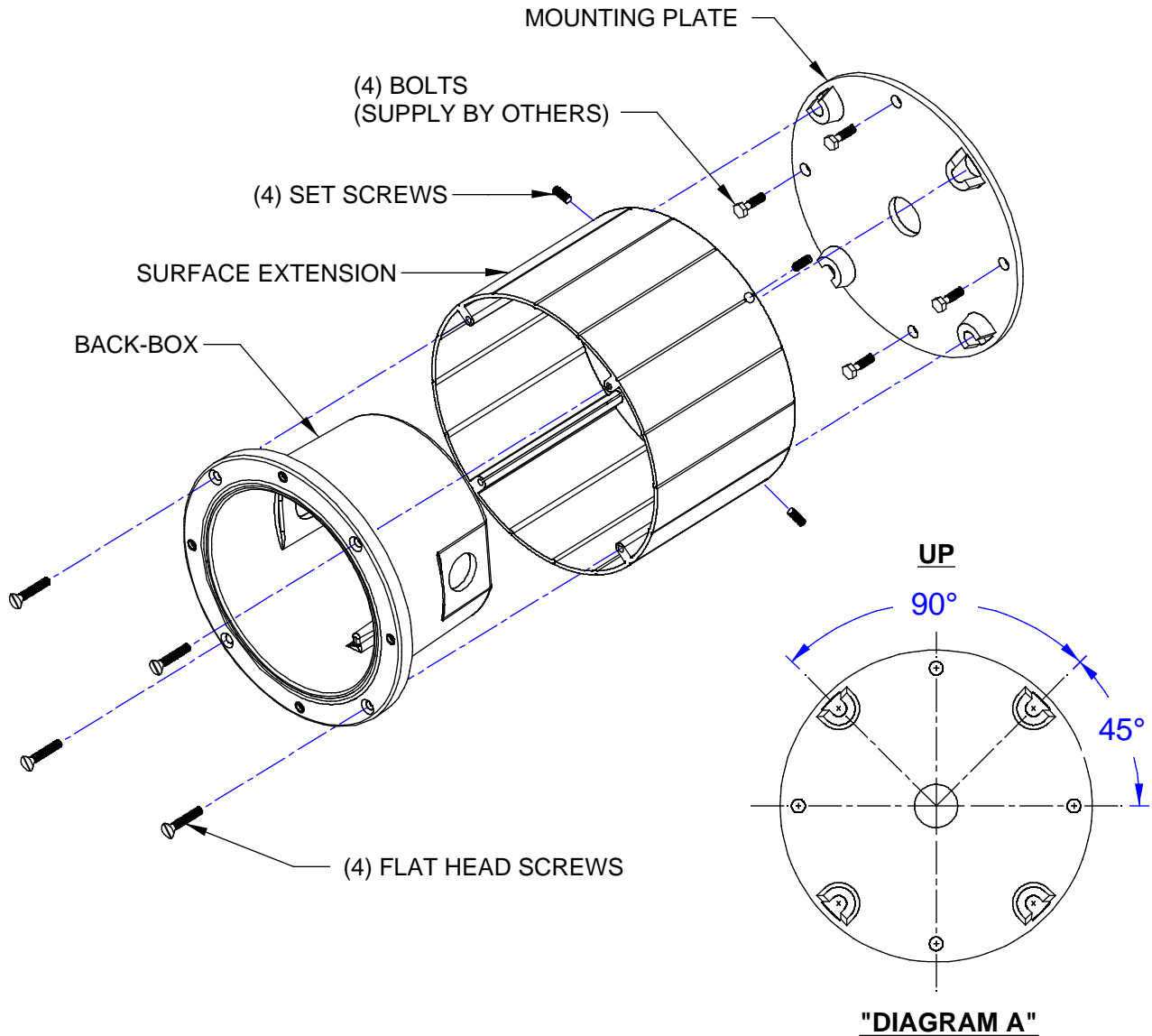
APPRVD

DATE

REV

INSTALLATION INSTRUCTIONS

1. SECURE MOUNTING PLATE TO WALL BY MEANS OF FOUR BOLTS (BOLTS SUPPLY BY OTHERS). SEE " DIAGRAM A" FOR MOUNTING ORIENTATION.
2. MOUNT SURFACE EXTENSION TO MOUNTING PLATE WITH FOUR SET SCREWS.
3. RUN ELECTRICAL WIRES FROM THE WALL INTO THE BACK-BOX.
4. PLACE BACK-BOX INTO SURFACE EXTENSION. SECURE BACK-BOX WITH FOUR FLAT HEAD SCREWS.



A RCHITECTURAL
A REA
L IGHTEING

14249 Artesia Blvd. P.O. Box 1869
 La Mirada CA. 90638-1869
 714-994-2700 Fax 714-994-0522

CATALOG NUMBER

ASL7 / ASL10

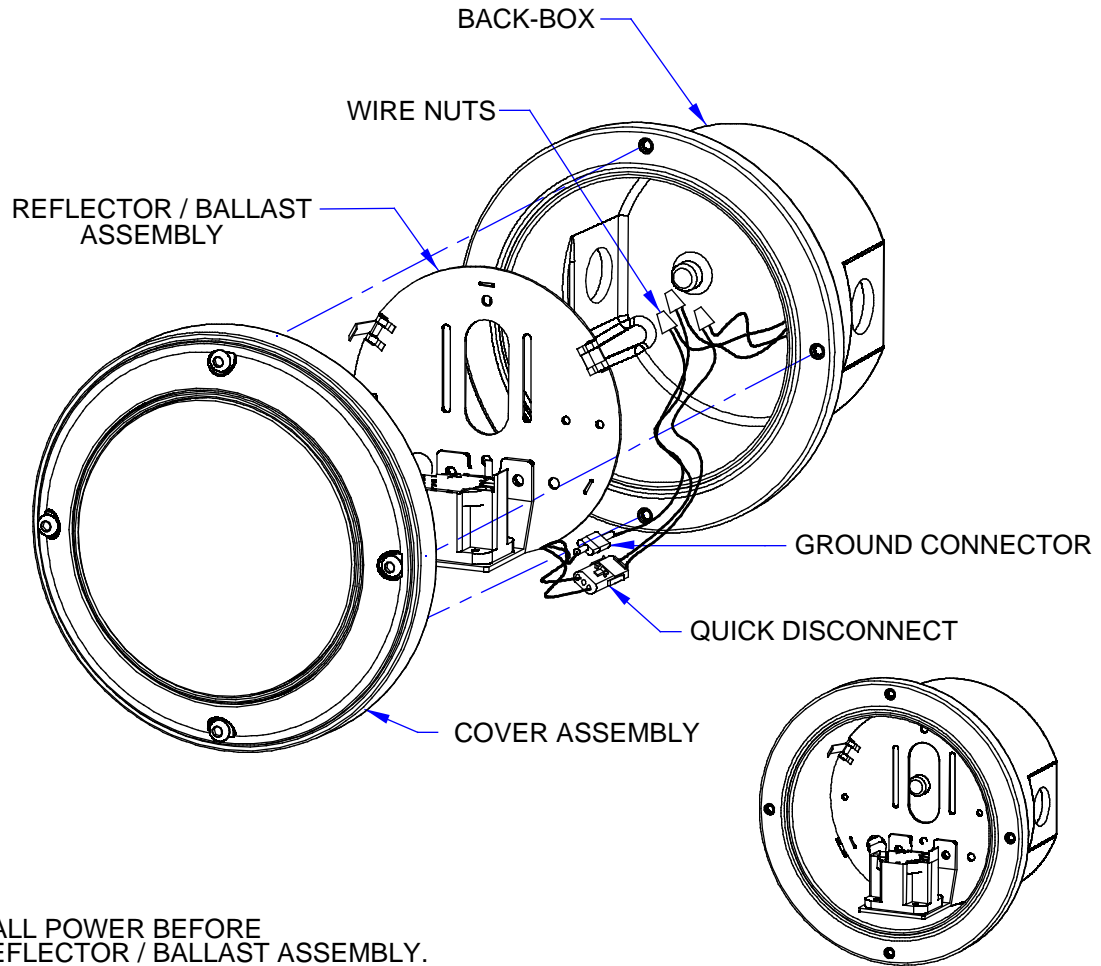
PART NO. A96233 (AAL)

DATE APPRVD

DATE REV

INSTALLATION INSTRUCTIONS

1. CONNECT INCOMING LINES TO WIRE LEADS WITH WIRE NUTS.
2. MOUNT REFLECTOR / BALLAST ASSEMBLY TO THE BACK-BOX WITH THE SNAP-IN BRACKETS, BY PUSHING REFLECTOR / BALLAST ASSEMBLY TO THE BACK-BOX.
3. SECURE COVER ASSEMBLY TO THE BACK-BOX WITH FOUR BUTTON SOCKET HEAD SCREWS SUPPLIED.



NOTE:
DISCONNECT ALL POWER BEFORE
INSTALLING REFLECTOR / BALLAST ASSEMBLY.

DETAIL
REFLECTOR / BALLAST ASSEMBLY
AFTER SNAPPED IN PLACE

REFLECTOR / BALLAST ASSEMBLY INSTALLATION

A RCHITECTURAL

A REA

L IGHTING

14249 Artesia Blvd. P.O. Box 1869
La Mirada CA. 90638-1869
714-994-2700 Fax 714-994-0522

CATALOG NUMBER

ASL7 CF9

PART NO.

A96238 (AAL)

DATE

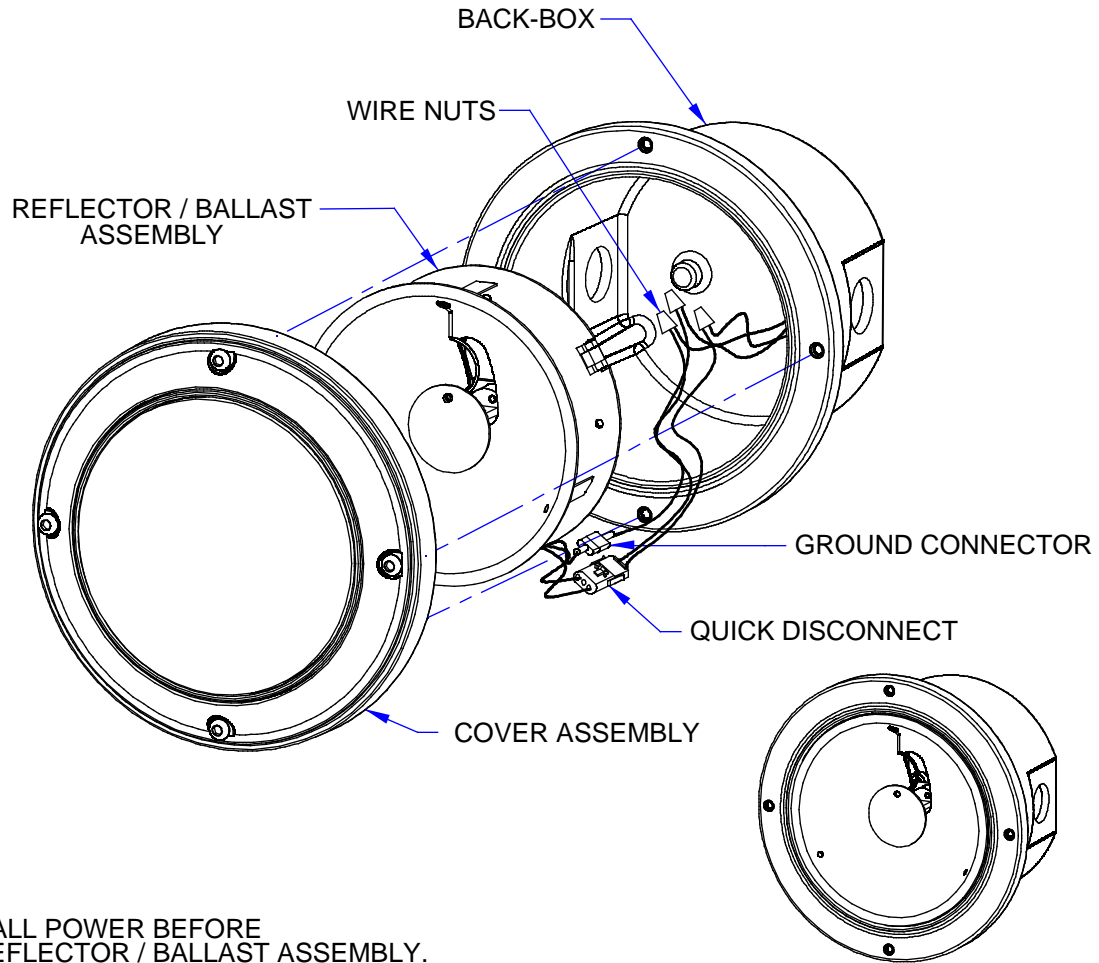
APPRVD

DATE

REV

INSTALLATION INSTRUCTIONS

1. CONNECT INCOMING LINES TO WIRE LEADS WITH WIRE NUTS.
2. MOUNT REFLECTOR / BALLAST ASSEMBLY TO THE BACK-BOX WITH THE SNAP-IN BRACKETS, BY PUSHING REFLECTOR / BALLAST ASSEMBLY TO THE BACK-BOX.
3. SECURE COVER ASSEMBLY TO THE BACK-BOX WITH FOUR BUTTON SOCKET HEAD SCREWS SUPPLIED.



NOTE:
DISCONNECT ALL POWER BEFORE
INSTALLING REFLECTOR / BALLAST ASSEMBLY.

DETAIL
REFLECTOR / BALLAST ASSEMBLY
AFTER SNAPPED IN PLACE

REFLECTOR / BALLAST ASSEMBLY INSTALLATION

A RCHITECTURAL

A REA

L IGHTING

14249 Artesia Blvd. P.O. Box 1869
La Mirada CA. 90638-1869
714-994-2700 Fax 714-994-0522

CATALOG NUMBER
ASL7 LV50

PART NO.
A96239 (AAL)

DATE APPRVD

DATE REV