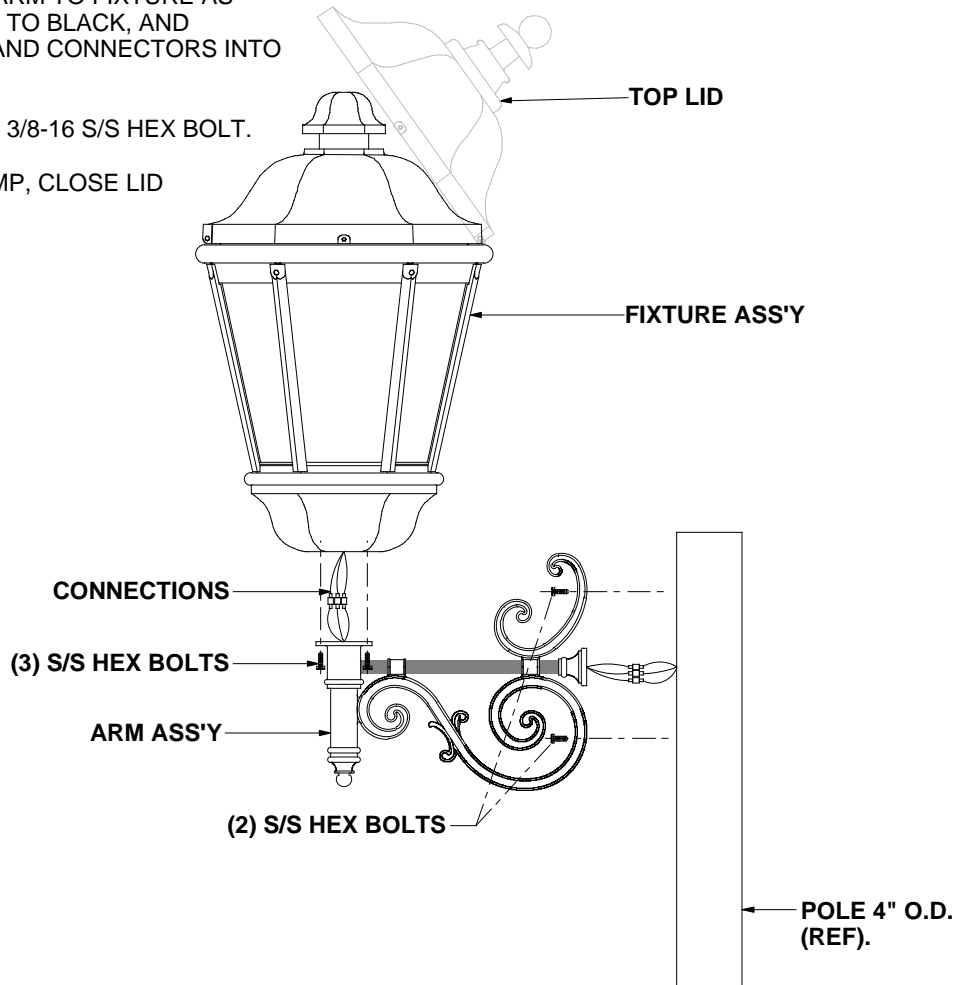


INSTALLATION INSTRUCTIONS

INSTALLATION INSTRUCTIONS

- 1) TURN OFF POWER.
- 2) SECURE ARM ASS'Y TO POLE WITH (2) S/S HEX BOLT. HOLE FOR 3/8-16 S/S HEX BOLT TO BE FIELD DRILLED AND TAPPED INTO POLE BY OTHERS.
- 3) MAKE WIRE CONNECTION FROM INCOMING SUPPLY TO ARM AS SHOWN. (NOTE-ASSEMBLY MUST BE GROUNDED TO INCOMING EQUIPMENT GROUND SUPPLY.
- 4) MAKE WIRE CONNECTIONS FROM ARM TO FIXTURE AS SHOWN. (WHITE EO WHITE, BLACK TO BLACK, AND GREEN TO GREEN). PUSH WIRES AND CONNECTORS INTO FIXTURE.
- 5) SECURE FIXTURE TO ARM WITH (3) 3/8-16 S/S HEX BOLT.
- 6) OPEN TOP LID. INSTALL REQ'D LAMP, CLOSE LID AND SECURE.



A RCHITECTURAL

A REA

L IGHTING

14249 Artesia Blvd. P.O. Box 1869
 La Mirada CA. 90638-1869
 714-994-2700
 fax 714-994-0522

CATALOG NUMBER
ALN440-H*-TRA1M

PART NO.
A96210

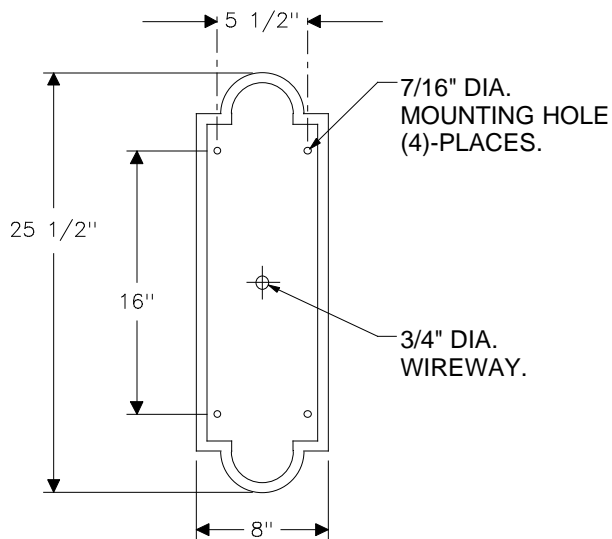
DATE APPRVD

DATE REV

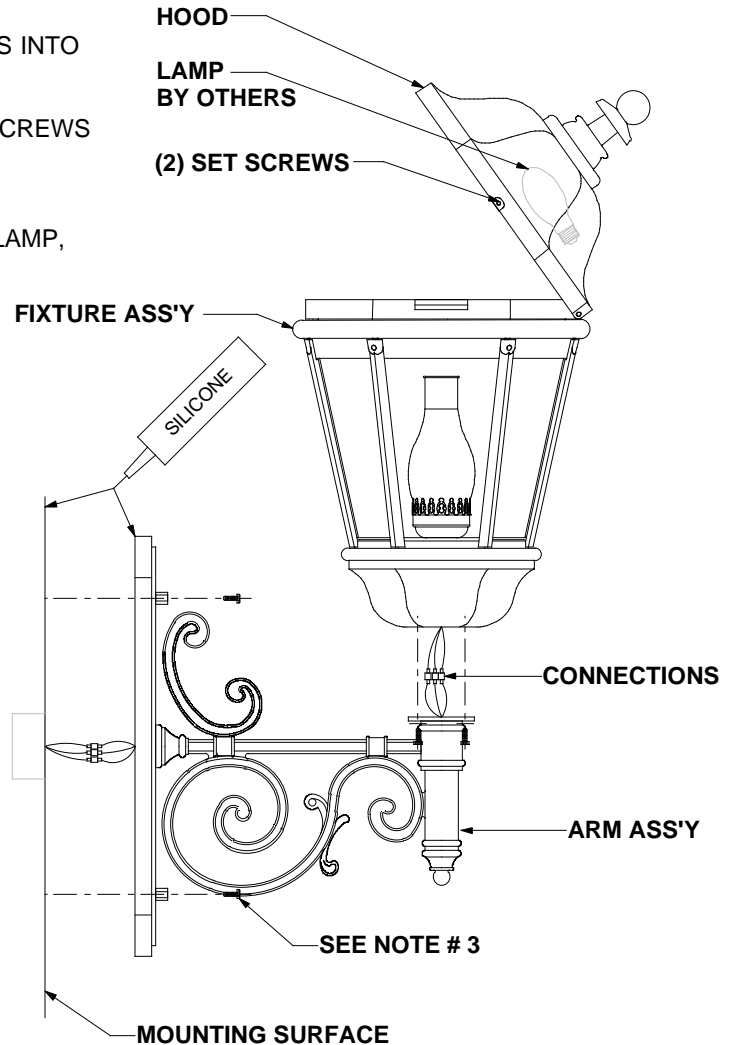
INSTALLATION INSTRUCTIONS

INSTALLATION INSTRUCTIONS

- 1) TURN OFF POWER.
- 2) MAKE WIRE CONNECTION FROM INCOMING SUPPLY TO ARM AS SHOWN. (NOTE-ASSEMBLY MUST BE GROUNDED TO INCOMING EQUIPMENT GROUND SUPPLY).
- 3) SECURE ARM ASS'Y TO MOUNTING SURFACE (WALL). (NOTE: MOUNTING HARDWARE BY OTHERS).
- 4) MAKE WIRE CONNECTIONS FROM ARM TO FIXTURE AS SHOWN. (WHITE TO WHITE, BLACK TO BLACK, AND GREEN TO GREEN). PUSH WIRES AND CONNECTORS INTO FIXTURE.
- 5) SECURE FIXTURE TO ARM WITH (3) 5/16-18 x 1" S/S SCREWS AND LOCK WASHERS.
- 6) TO INSTALL LAMP, LOOSEN THE (2) SET SCREWS FROM HOOD, OPEN HOOD AND INSTALL REQUIRED LAMP, CLOSE HOOD AND SECURE.
- 7) APPLY CONTINUOUS BEAD OF SILICONE ALL AROUND BACK PLATE WHERE IT MEETS MOUNTING SURFACE.



ARM BACK PLATE
(MOUNTING DETAIL)



A RCHITECTURAL

A REA

L IGHTING

14249 Artesia Blvd. P.O. Box 1869
La Mirada CA. 90638-1869
714-994-2700 fax 714-994-0522

CATALOG NUMBER
ALN440-H*-WMA1L

PART NO.
A96219

DATE APPRVD

DATE REV