



KIM LIGHTING

16555 East Gale Avenue
City of Industry, CA 91745-1788
626/968-5666 • FAX 626/968-5716



HUBBELL
Lighting



GEM1C LED

GEM1C® LED Performance Bollard - Concrete Shaft Installation Instructions



WARNING: Fixtures must be grounded in accordance with local codes or the National Electrical Code. Failure to do so may result in serious personal injury.

CAUTION: All wiring must be done by a qualified electrician.

KEEP THIS SHEET FOR FUTURE REFERENCE.

Tools Required:

- 9/16" Wrench
- 15/16" Wrench
- 3/4" Deep Socket
- 3/4" Wrench
- 7/16" Socket
- Drive Ratchet

Tools Provided:

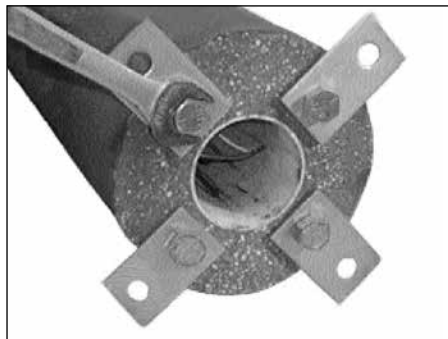
- 3/4" Wrench



Make certain electrical supply is **OFF** before starting fixture.



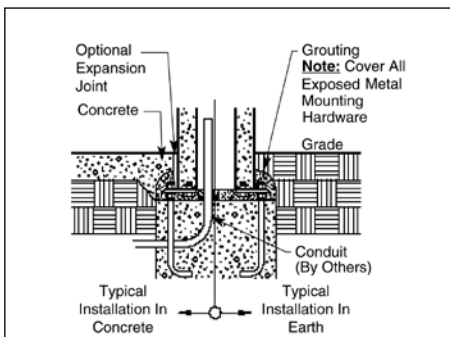
1. To protect finish, lay concrete bollard horizontally on wood blocks.



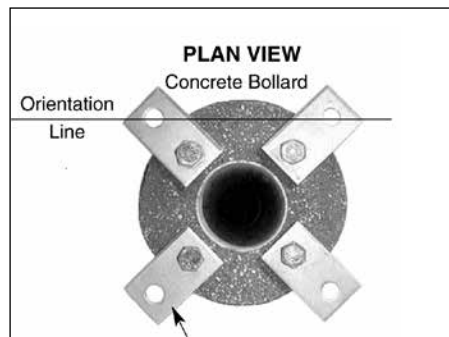
2. Install four anchor plates using 15/16" wrench with four 5/8-11 hex head bolts provided. Position the anchor plates straight from center on round bollards (see plan view below).



3. Route field wires through and out of top of bollard. Concrete bollards are heavy; use adequate means to lift bollard and set onto anchor bolts without dropping. Install flat washers and 1/2" nuts.




4. Make final adjustments to level bollard by turning the bottom nuts on the anchor bolts. The bollard must have full contact with concrete foundation by grouting. Mounting hardware must



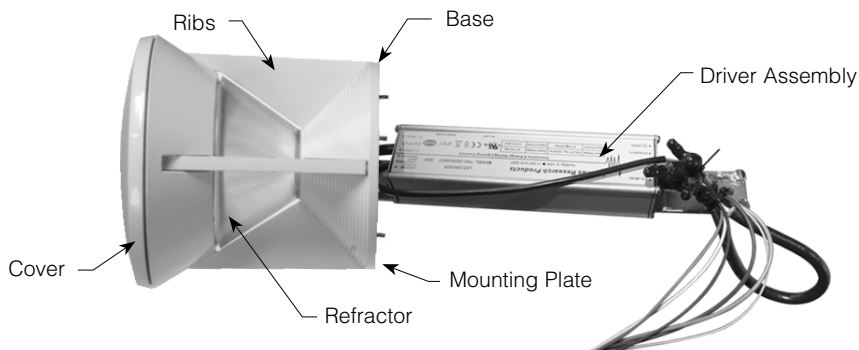
not be in contact with soil or other corrosive elements. If luminaire will not be installed on lit bollard, cover top of bollard so water and debris will not collect inside.

GEM1C® LED Performance Bollard - Concrete Shaft Installation Instructions

Driver / Fixture Installation Instructions:

 Make certain electrical supply is **OFF** before starting installation.

1. Remove cover from top using 3/16" hex wrench.



2. Loosen and remove (4) 1/4" nuts using 7/16" wrench.



3. Remove ribs.



4. Unplug quick-disconnects.



5. Remove top and refractor glass.



6. Loosen and remove (4) 1/4" socket cap screws using 3/16" hex wrench to separate base from mounting plate.



7. Place gasket on top of concrete shaft. Make connections between mounting plate/driver assembly and field wires, i.e. green-to-ground, white-to-common and black to voltage.



8. Insert mounting plate/driver assembly into concrete shaft. Center and align gasket and mounting plate on screw holes in concrete shaft. Tighten (4) 3/8" hex screws using a 9/16" wrench.

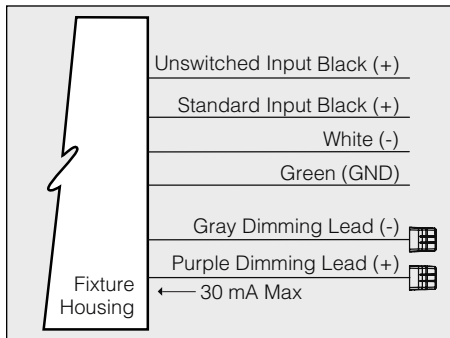


9. Connect two 1-pin quick-disconnects from driver assembly to quick-disconnects on base. Align base on mounting plate bosses, insert (4) 1/4" socket cap screws and tighten using 3/16" hex wrench.



10. Re-assemble refractor, ribs, top, and cover in reverse order to finish installation.

GEM1C® LED Performance Bollard - Concrete Shaft Installation Instructions



0-10V DIMMING

Driver has a 0-10V dimming interface with a dimming range of 10-100%. Is compatible with most control systems including Hubbell Building Automation wiHUBB™. Approved dimmers include Lutron Diva AVTV, Lutron Nova NFTV and NTFTV. Note: Not compatible with current sourcing dimmers. Controls compatible via Gray and Purple dimming lead.

BATTERY BACKUP

If your fixture includes Battery Backup Option, an additional power wire is included labeled "Unswitched Power". This lead must be connected to an unswitched power source running 120-277 VAC to function properly.

LED BOLLARD WARRANTY

When properly installed and under normal conditions of use, Kim Lighting warrants LED Bollard products ("Product(s)") sold by Kim Lighting to be free from defects in material and workmanship for (i) a period of five (5) years for metal parts, (ii) a period of ten (10) years for exterior housing paint finish(s), and, (iii) a period of six (6) years for LED Light Engines () and, (iv) a period of five (5) years for LED power components (LED Driver), from the date of sale of such goods to the buyer as specified in Kim Lighting shipment documents for each Product(s). The buyer agrees to make all claims regarding defects or deficiencies in the Product(s) according to the terms of Kim Lighting's official warranty. Warranty claims must be made in writing according to Kim Lighting procedures existing at the time of the claim. Valid warranty claims must be made within the warranty period specified herein above, and submitted within thirty (30) days of discovery of the damage or defect. No FIELD labor, repair, DISMANTLE, or installation charges are included with this warranty. Kim Lighting may repair or replace any Product(s) covered by this warranty at its sole discretion and in accordance with its procedure. Any unauthorized return, repair, replacement or modification of the Product(s) shall void this warranty. This warranty applies only to the use of the Product(s) as intended by Kim Lighting and does not cover any misapplication or misuse of said Product(s), or installation in hazardous or corrosive environments. In no event shall Kim Lighting's total liability for any reason arising hereunder exceed the purchase price paid to Kim Lighting for the product purchased by the buyer hereunder. Contact Kim Lighting for complete warranty language, exceptions, and limitations.

General Product Limited Warranty Coverage

All material and component parts used in the manufacture of Kim Products, are warranted to be free from defects of material and/or workmanship for a period of 1 year from date of sale, with the following exceptions:

Auxiliary Equipment

All auxiliary equipment (such as drivers and battery backup) provided by and/or included in Kim Products shall carry the component manufacturer's warranty.

Aluminum Landscape Components

Aluminum Landscape fixture components not in direct contact with soil, shall be warranted against defects of material and/or workmanship for a period of 3 years from date of sale. Aluminum fixture components in direct contact with soil shall be warranted from defects of material and failure from corrosion for a period of 1 year from date of sale.

Limit of Liability and General Conditions

Only products which are installed, used and maintained in accordance with applicable Kim instructions, specifications and accepted trade practices, are covered by the Kim Warranty. During the warranty period, with proof of purchase, Kim will repair or replace with the same or similar product, at Kim's option, without charge. Labor costs are the owner's responsibility and are excluded from this warranty. This warranty is void if the product is modified, tampered with, mis-applied, poorly installed, improperly maintained, or subjected to abnormal conditions.

Repair or replacement as provided under this warranty is the exclusive remedy of the purchaser. This warranty is in lieu of all other warranties, expressed or implied, including any implied warranty of fitness for a particular application. Kim Lighting shall not be liable to the purchaser for indirect or consequential damages.

