

## SL1-LED/SL3-LED Site Lightforms Bollard-LED Installation Instructions

**WARNING:** Fixtures must be grounded in accordance with local codes or the National Electrical Code. Failure to do so may result in serious personal injury.

**NOTE:** All wiring must be done by a qualified electrician.

**KEEP THIS SHEET FOR FUTURE REFERENCE.**

**Tools Required:**     1/8" Allen Wrench     Flat Blade Screwdriver     1/2" Open End Wrench

**!** Make certain electrical supply is **OFF** before starting fixture.

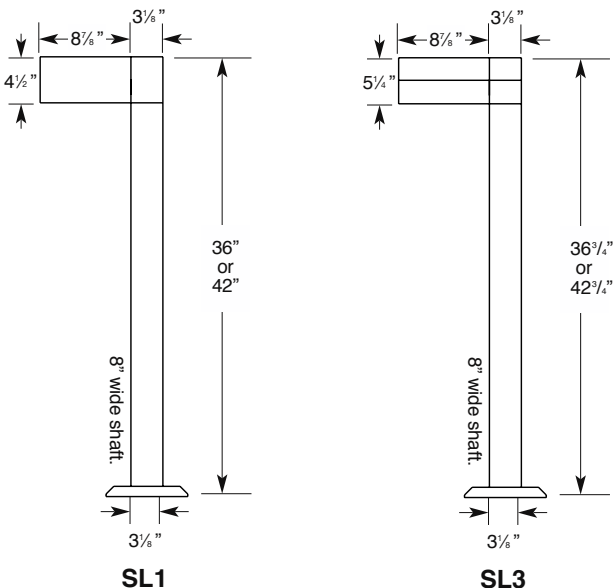
### Fixture Installation Instructions:

1. Lay fixture on a clean, padded surface with fixture base near power supply leads.
2. Remove four 3/8 -16 round-head screws and template from anchor bolts.
3. Attach fixture leads to power supply leads observing polarity, i.e. green-to-ground, white-to-common, and black-to-voltage.
4. Place fixture over conduit stub-up and set fixture orientation. Make certain that none of the wires are pinched when lowering fixture base onto anchor bolts.
5. Leveling of fixture has been pre-set during anchor bolt installation. If fixture is not level, place stainless steel shims or washers (by others) under fixture base, making sure all four corners of base are resting on a solid surface.
6. Secure fixture with four 3/8 -16 x 1-1/4" hex-head stainless steel black bolts and four 3/8" stainless steel black flat washers supplied with fixture.

### LED Module Installation or Replacement:

**!** Make certain the electrical supply is **OFF** before starting fixture installation.

1. Progressively loosen four 10-32 socket-head lens screws. NOTE: Lens screws are self-retained to lens clips.
2. Install LED module in fixture.
3. Replace lens making sure gasket is clean. Tighten screws progressively and evenly to insure even gasket pressure.



# SL1-LED/SL3-LED Site Lightforms Bollard-LED Installation Instructions

**Tools Required:**    □ 1/8" Allen Wrench            □ Flat Blade Screwdriver            □ 1/2" Open End Wrench

**Driver Replacement:**    ⚠ Make certain the electrical supply is **OFF** before beginning ballast replacement.

1. Progressively loosen four 10-32 socket-head lens screws. **NOTE:** Lens screws are self-retained to lens clips.
2. Remove LED module. Remove two 10-32 x 3/8" binding-head screws directly above LED module.
3. Lower LED assembly and disconnect LED leads.
4. Remove two 5/16" front hex nuts inside housing. Remove splice shields. Remove two 5/16" rear hex nuts inside housing.
5. Lift housing upwards until driver assembly clears shaft and splices are accessible for disconnecting.
6. Disconnect power supply and ground leads. Lay housing/driver assembly on a clean, padded surface to prevent scratching.
7. Remove two 10-32 x 5/8" hex-head screw securing driver assembly to housing.
8. Inspect housing/shaft gasket and replace if necessary.
9. Replace the driver assembly with proper type and wattage. Connect ground and power supply leads.
10. Feed LED supply leads up into housing through wireway hole. Lower housing/ballast assembly into shaft making certain that none of the wires are pinched when lowering.
11. Make sure gasket is seated properly on top of shaft. Tighten two 5/16" rear hex nuts. Install splice shields and secure with two 5/16" front hex nuts.
12. Connect LED leads to LED module assembly. Install LED module assembly into housing socket-end first. Install screws.
13. Re-install LED module. Replace lens making sure gasket is clean. Tighten screws progressively and evenly to insure even gasket pressure.

**Note: SL1 illustrated.  
SL3 is similar**

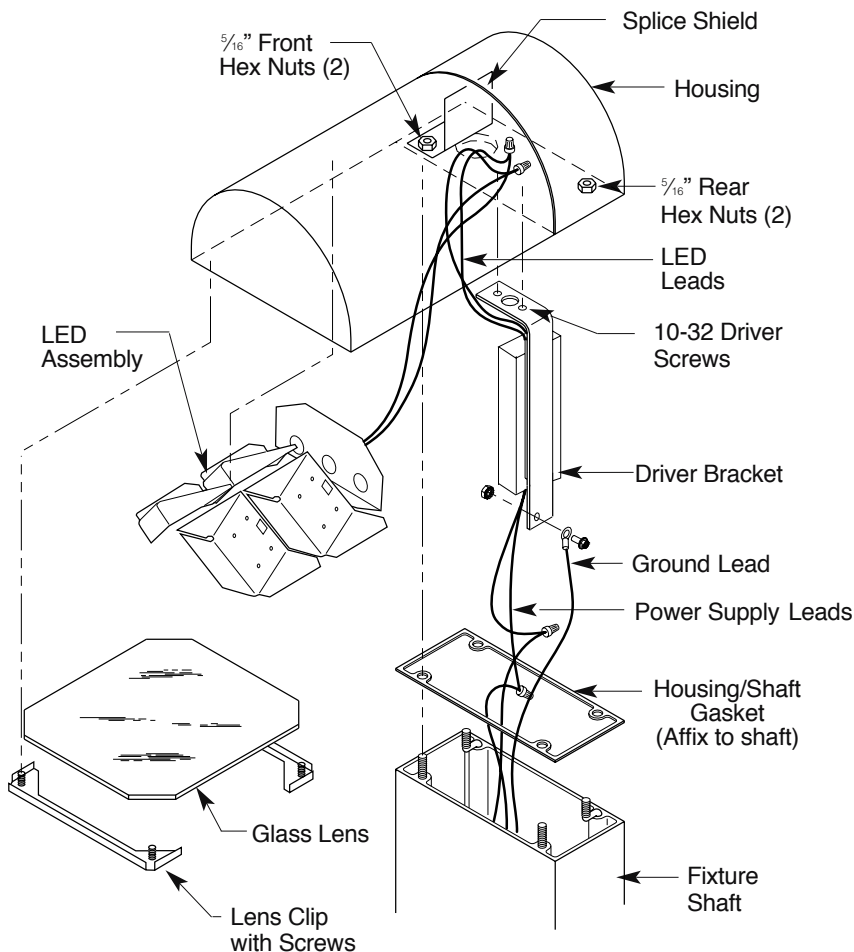
REPLACEMENT PARTS	
DESCRIPTIONS	PART NO.
Glass Lens	84138
***Retrofit Lens Assembly	85624
Housing/Shaft Gasket	82212
*Mounting Bolt	58352
*Mounting Washer	58353
*Base Casting	10494**

\*Not shown in illustration.

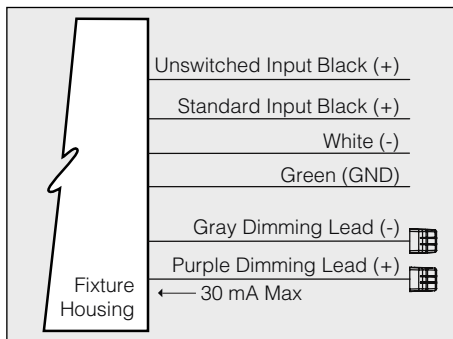
\*\* Specify finish when ordering.

Example: 10494 BL-P

\*\*\* Retrofit glass lens assembly to convert from acrylic lens.



# SL1-LED/SL3-LED Site Lightforms Bollard-LED Installation Instructions



## 0-10V DIMMING

Driver has a 0-10V dimming interface with a dimming range of 10-100%. Is compatible with most control systems including Hubbell Building Automation wiHUBB™. Approved dimmers include Lutron Diva AVTV, Lutron Nova NFTV and NTFTV. Note: Not compatible with current sourcing dimmers. Controls compatible via Gray and Purple dimming lead.

## BATTERY BACKUP

If your fixture includes Battery Backup Option, an additional power wire is included labeled "Unswitched Power". This lead must be connected to an unswitched power source running 120-277 VAC to function properly.

## LED BOLLARD WARRANTY

When properly installed and under normal conditions of use, Kim Lighting warrants LED Bollard products ("Product(s)") sold by Kim Lighting to be free from defects in material and workmanship for (i) a period of five (5) years for metal parts, (ii) a period of ten (10) years for exterior housing paint finish(s), and, (iii) a period of six (6) years for LED Light Engines ( ) and, (iv) a period of five (5) years for LED power components (LED Driver), from the date of sale of such goods to the buyer as specified in Kim Lighting shipment documents for each Product(s). The buyer agrees to make all claims regarding defects or deficiencies in the Product(s) according to the terms of Kim Lighting's official warranty. Warranty claims must be made in writing according to Kim Lighting procedures existing at the time of the claim. Valid warranty claims must be made within the warranty period specified herein above, and submitted within thirty (30) days of discovery of the damage or defect. No FIELD labor, repair, DISMANTLE, or installation charges are included with this warranty. Kim Lighting may repair or replace any Product(s) covered by this warranty at its sole discretion and in accordance with its procedure. Any unauthorized return, repair, replacement or modification of the Product(s) shall void this warranty. This warranty applies only to the use of the Product(s) as intended by Kim Lighting and does not cover any misapplication or misuse of said Product(s), or installation in hazardous or corrosive environments. In no event shall Kim Lighting's total liability for any reason arising hereunder exceed the purchase price paid to Kim Lighting for the product purchased by the buyer hereunder. Contact Kim Lighting for complete warranty language, exceptions, and limitations.

## General Product Limited Warranty Coverage

All material and component parts used in the manufacture of Kim Products, are warranted to be free from defects of material and/or workmanship for a period of 1 year from date of sale, with the following exceptions:

## Auxiliary Equipment

All auxiliary equipment (such as drivers and battery backup) provided by and/or included in Kim Products shall carry the component manufacturer's warranty.

## Aluminum Landscape Components

Aluminum Landscape fixture components not in direct contact with soil, shall be warranted against defects of material and/or workmanship for a period of 3 years from date of sale. Aluminum fixture components in direct contact with soil shall be warranted from defects of material and failure from corrosion for a period of 1 year from date of sale.

## Limit of Liability and General Conditions

Only products which are installed, used and maintained in accordance with applicable Kim instructions, specifications and accepted trade practices, are covered by the Kim Warranty. During the warranty period, with proof of purchase, Kim will repair or replace with the same or similar product, at Kim's option, without charge. Labor costs are the owner's responsibility and are excluded from this warranty. This warranty is void if the product is modified, tampered with, misapplied, poorly installed, improperly maintained, or subjected to abnormal conditions.

Repair or replacement as provided under this warranty is the exclusive remedy of the purchaser. This warranty is in lieu of all other warranties, expressed or implied, including any implied warranty of fitness for a particular application. Kim Lighting shall not be liable to the purchaser for indirect or consequential damages.

