

## INSTALLATION INSTRUCTIONS

### RECESSED DOWNLIGHT SHALLOW FIXTURES: XTM LED MODULES

#### F1-SH HOUSING

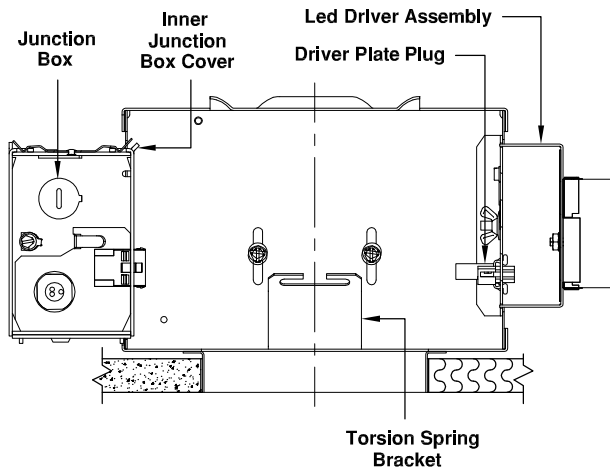


Fig. 1

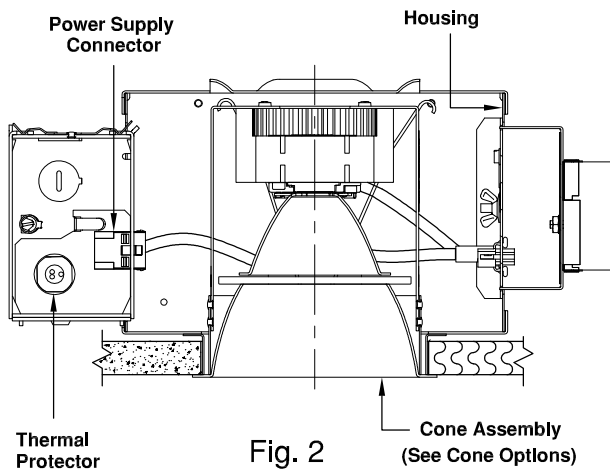


Fig. 2

#### Notes

- 1 Make sure power is off. Building wires must be in compliance with local codes.
- 2 Rails are not supplied unless ordered. They come in two sizes 26" and 52". Contact the factory. Available immediately.
- 3 All Electrical Wiring Must Be Made by a Licensed Electrician.
- 4 Fixture must be above ceiling before closing in.

#### Installation

- 1 Remove the cone. Use the aperture ring as a template to mark the tile for the aperture hole.
- 2 Cut hole in tile for a snug fit around the aperture ring.
- 3 Fasten rail supports to internal adjustment brackets on housing. Insert rails by gently squeezing wings of rail supports together to ease passage of rails. Do not squeeze too hard or the rail supports will take a set. When pressure is released, the rail support will lock onto rails. (See Fig. 3 & 6)
- 4 Remove proper knockouts from junction box and attach connectors.
- 5 Place fixture in tile hole. Tie the rails loosely to support members of the ceiling grid.
- 6 Adjust fixture so aperture frame is flush with finished tile face or 1/16" above. Do not allow aperture frame edge below tile face or more than 1/16" above. Tighten rails to ceiling grid permanently. (See Fig. 6)

#### Wiring

- 1 Attach conduit or flex to junction box. Make all splices.
- 2 Fixture must be grounded with green screw or grounding wire provided.

#### Installation of XTM LED Cone Assembly (See Fig. 5)

- 1 Push in LED wire plug into two pin plug in driver plate.
- 3 Squeeze torsion spring and engage into slot of torsion spring bracket then, push cone up into fixture until cone flange is flush with ceiling.

#### Access to Junction Box: (See Fig. 1)

Remove cone, release wire plug, remove inner junction box cover

#### Quality Control

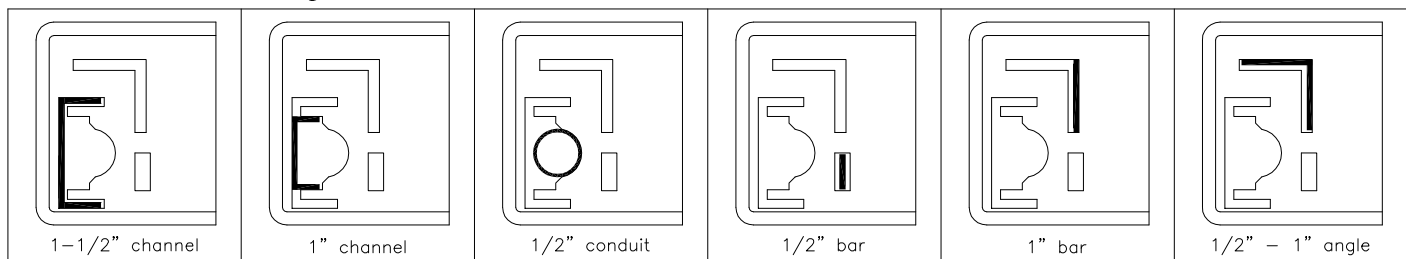
Every effort is made to assure that our products reach the job in perfect condition. We welcome your comments. Kurt Versen Company may change construction periodically without notice as part of its program for product improvement.

#### Warning

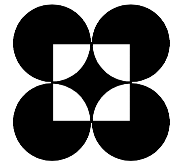
Risk of fire. Do not install insulation within three inches of the fixture sides or top in such a manner as to entrap heat.

#### Rail Supports

Fig.3

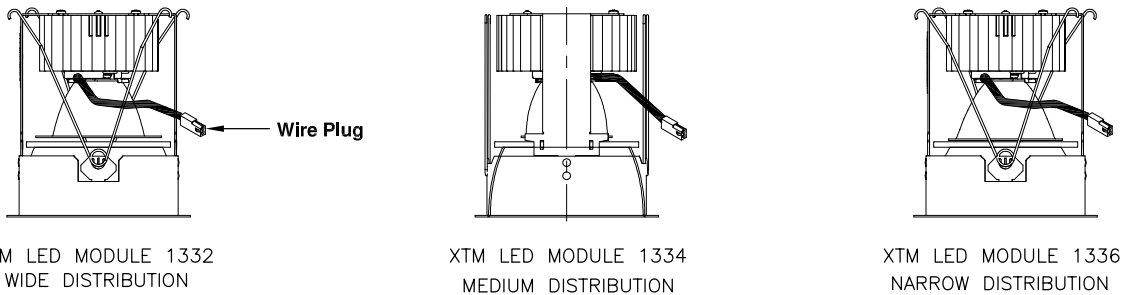


Supports accept many types of rails. Job site scrap may be used.



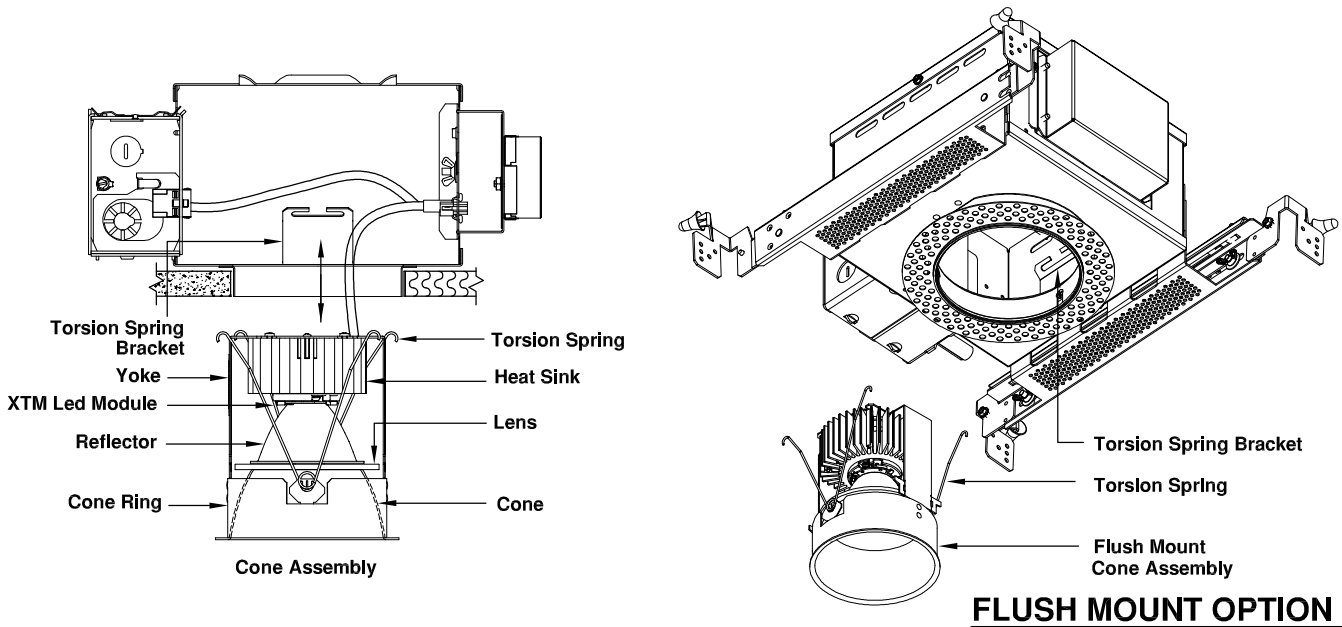
## INSTALLATION INSTRUCTIONS

**CAUTION: BEFORE RELAMPING OR REPLACING ANY ITEM  
"TURN OFF POWER".**



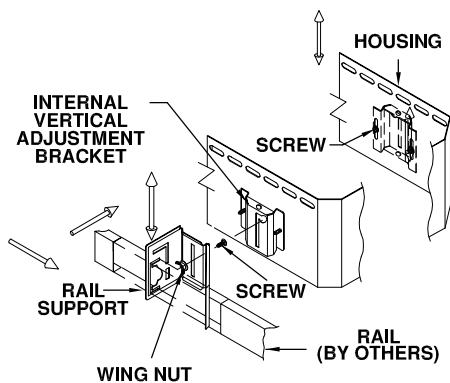
**CONE OPTIONS : 1332, 1334, 1336**

**Fig. 4**



**Fig. 5**

**FLUSH MOUNT OPTION**



**Fig. 6**

**CORRECTIVE ADJUSTMENT (Fig. 6)**

(AFTER INITIAL INSTALLATION)

- A Remove cone.
- B Loosen all 4 screws. (2 on each end)
- C To move fixture up, push up against the housing top.
- D To move fixture down, pull down on the aperture pan.
- E Once in the correct position, tighten all 4 screws.
- F Reinstall cone.