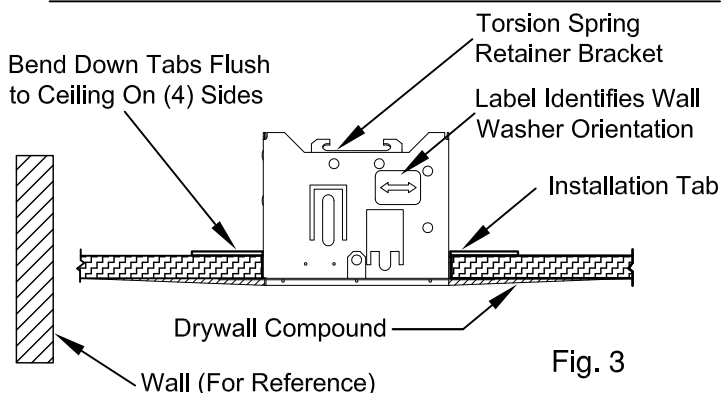
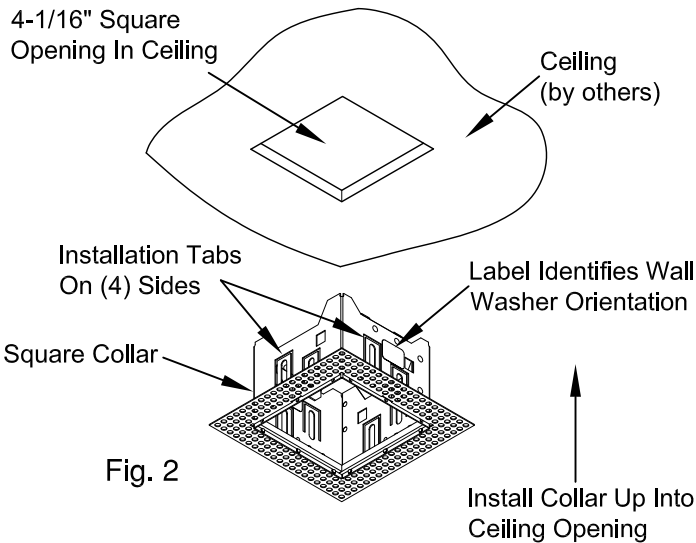
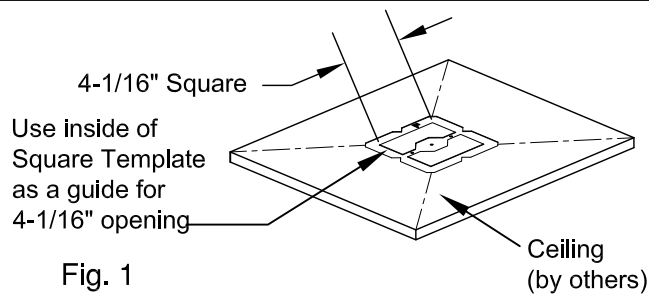


## INSTALLATION INSTRUCTIONS

### INSTALL FROM BELOW (FLUSH MOUNT) 3-1/2" SQUARE TRIM MODELS:

- J312: WIDE DISTRIBUTION DOWNLIGHT
- J314: MEDIUM DISTRIBUTION DOWNLIGHT
- J316: NARROW DISTRIBUTION DOWNLIGHT
- J315: WALL WASHER
- J343: WIDE DISTRIBUTION DIRECTIONAL
- J345: MEDIUM DISTRIBUTION DIRECTIONAL
- J347: NARROW DISTRIBUTION DIRECTIONAL

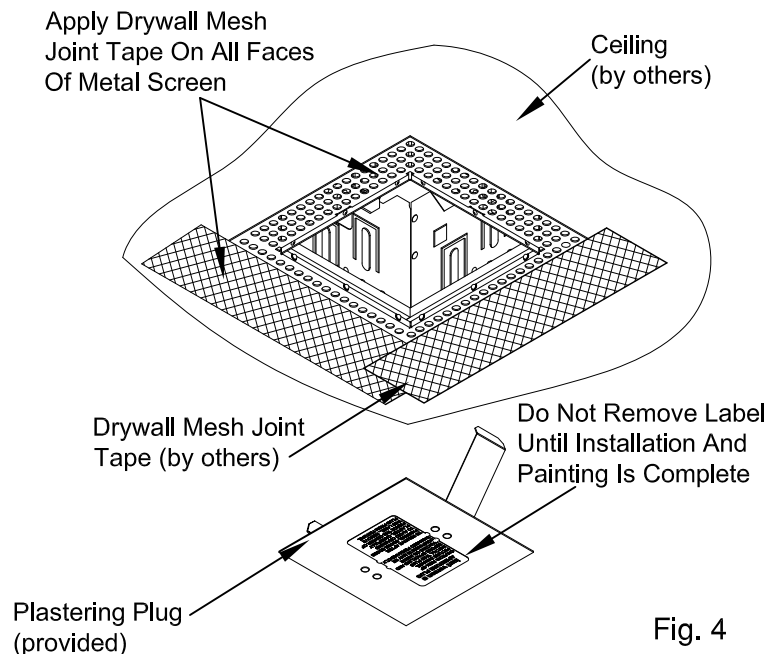


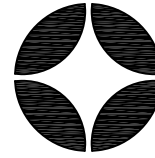
### Notes:

1. Make sure power is off before installing or servicing fixture. Building wires must be in compliance with local codes.
2. All electrical wiring must be made by a licensed electrician.
3. Install only in non-insulated hard ceiling.

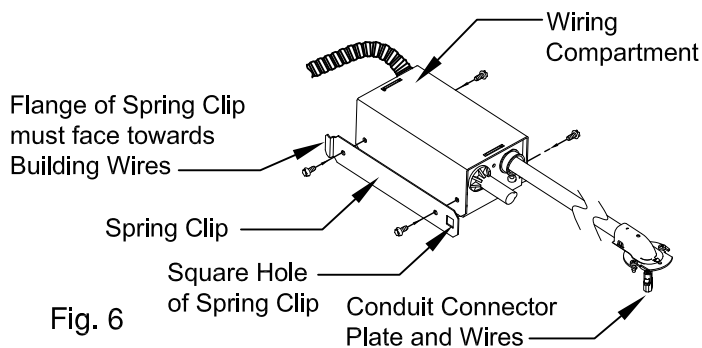
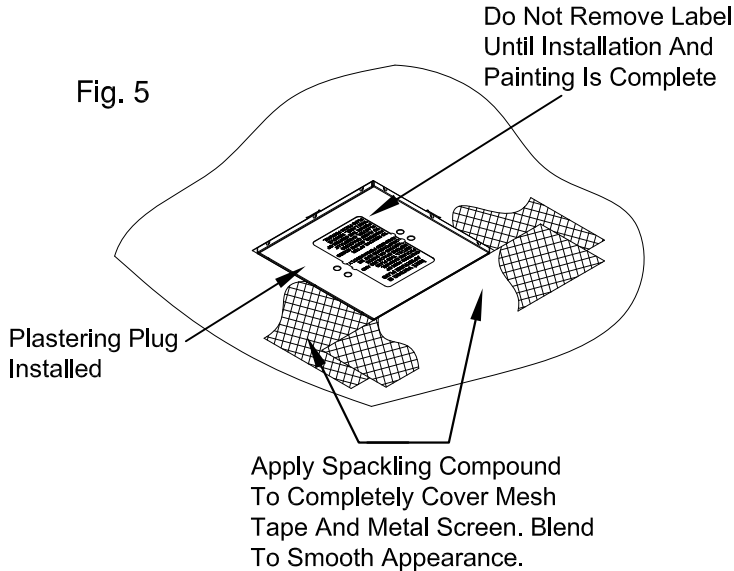
### Installation Of Collar Into Ceiling:

1. Use the provided square template as a guide to cut an opening in the center ceiling for the collar. Cutting opening larger may result in the fixture not fitting or aligning correctly.  
**Optional:** Template holes will accommodate (3) #6 screws to attach template to ceiling while cutting the opening.  
**See Fig. 1 and 2**
2. For Wall Wash Fixtures: Verify the correct orientation of Torsion Spring Retainers in relation to the wall. The collar is labeled for correct position. Once drywall compound cures, Collar cannot be readjusted for Wall Wash orientation.  
**See Fig. 2 and 3**
3. Install collar into opening. Bend tabs on each side completely outward and down. If necessary, use pliers to ensure tabs are flush to the ceiling. Warning: Tabs must be bent flush or fixture may not be retained in the ceiling properly.  
**See Fig. 3**
4. Apply drywall mesh tape (by others) so it covers both the drywall and the metal screen of collar.  
**See Fig. 4**
5. Install the protective plastering plug into the square collar.  
**See Fig. 4 and 5**
6. Apply spackling compound onto mesh tape and metal screen. Feather the spackling compound onto gypsum board for a smooth blended finish.  
**Note: It is IMPORTANT to allow spackling compound to DRY THOROUGHLY.**





## INSTALLATION INSTRUCTIONS



### Installation Of Wiring And Fixture:

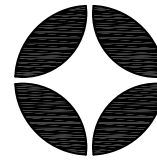
1. Pull building wires (flexible metallic greenfield) down through the inside of the collar. Provide enough slack in the building wires so the wiring compartment can be easily serviced from below the finished ceiling line.
2. Remove (4) screws at the wiring compartment and remove cover. Remove appropriate knockouts and make the proper splices at the wiring compartment, per applicable codes. Wiring diagram is located inside the wiring compartment cover. **IMPORTANT: DO NOT DISCARD THE SPRING CLIP!**  
**See Fig. 6**
3. Re-assemble the wiring compartment. Ensure no wiring is pinched between the cover and base of the compartment. Spring clip must be assembled onto wiring compartment as shown.  
**See Fig. 6**
4. Insert wiring compartment assembly up through the collar opening into the ceiling. Keep the conduit end with connector plate and wires hanging through the opening for easier assembly to the Trim.  
**See Fig. 7**
5. Connect conduit output wires with fixture wire connector.  
**See Fig. 7**
6. Position conduit connector plate onto fixture as shown and tighten screws.  
**See Fig. 8A, 8B, & 8C**
7. For Downlight and Wall Washer fixtures: Engage torsion springs into torsion spring brackets and gently push trim assembly up into collar.  
**See Fig. 9A & 9B**
8. For Directional fixtures: Align (4) square slots in ceiling collar with (4) springs in fixture and gently push trim assembly up into collar.  
**See Fig. 9C**
9. In all cases, trim assemblies must fit snug into Collar.

### Reflector Replacement:

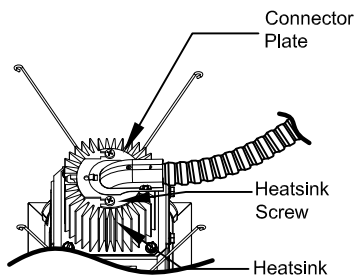
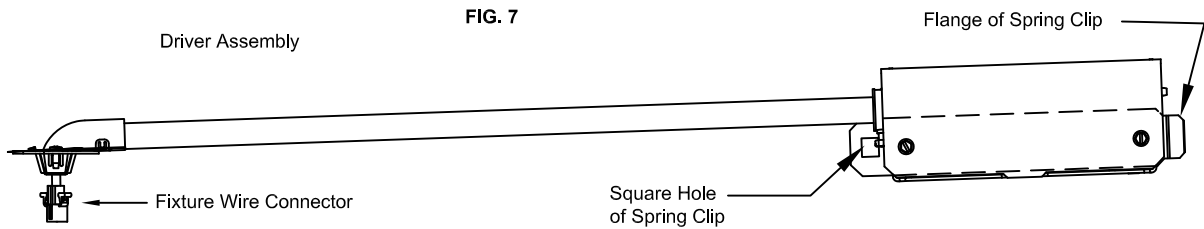
1. Carefully pull down trim assembly from collar with Trim Removal Tool.
2. Twist reflector and pull slightly downwards.
3. Slide reflector out of fixture.
4. To reinstall, follow the above steps in reverse order.

### Quality Control:

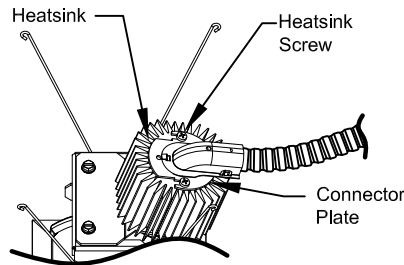
Every effort is made to assure that our products reach the job in perfect condition. We welcome your comments. Kurt Versen company may change construction periodically without notice as part of its program for product improvement.



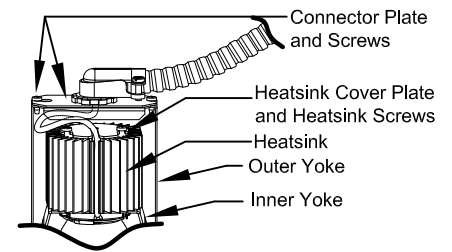
## INSTALLATION INSTRUCTIONS



**FIG. 8A**  
Partial View of Downlight  
Trim Assembly

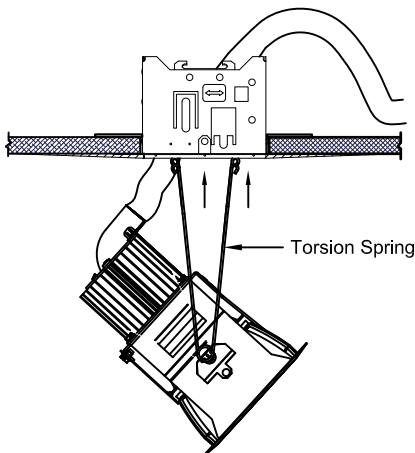


**FIG. 8B**  
Partial view of Wall Washer  
Trim Assembly

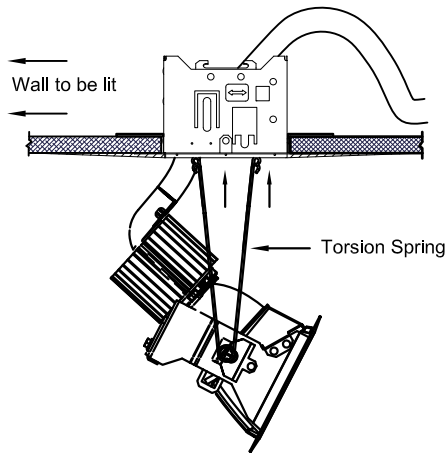


**FIG. 8C**  
Partial view of Directional  
Trim Assembly

**FIG. 9A**  
Downlight Installation



**FIG. 9B**  
Wall Washer Installation



**FIG. 9C**  
Directional Installation

