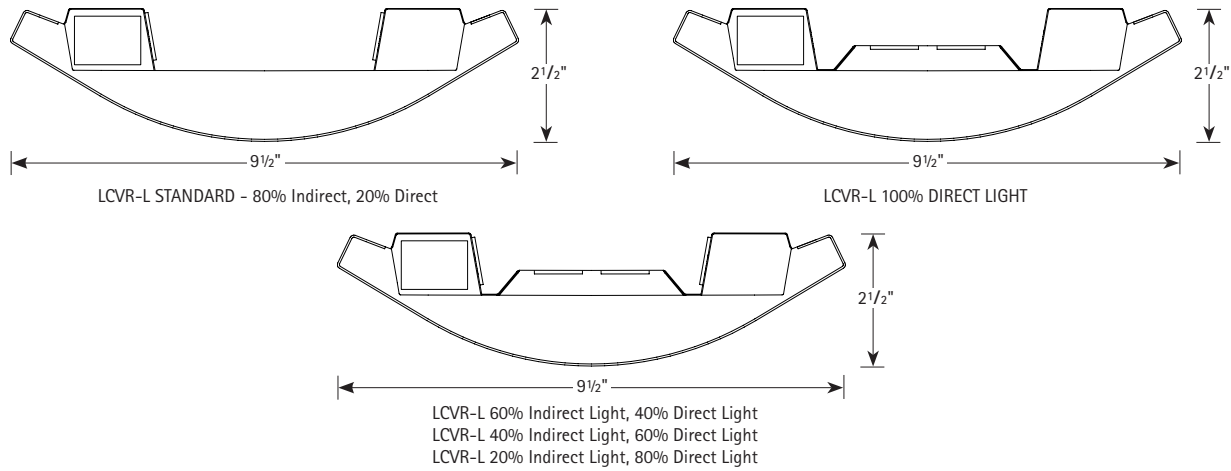
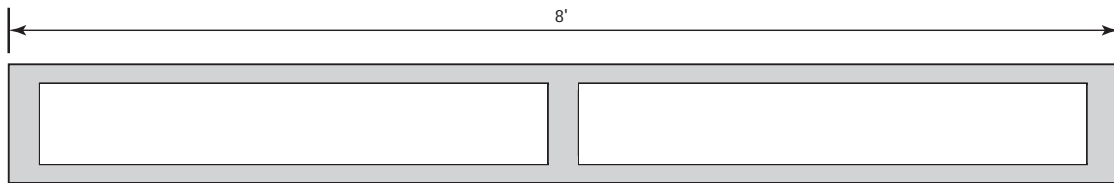


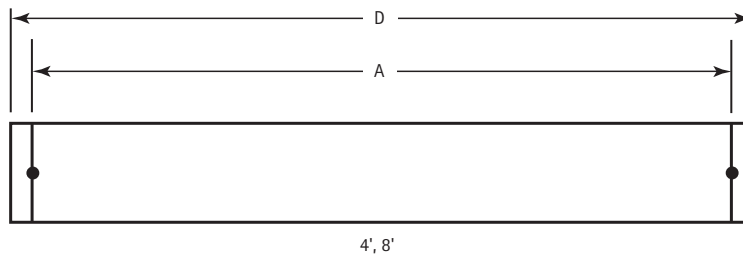
SECTIONS



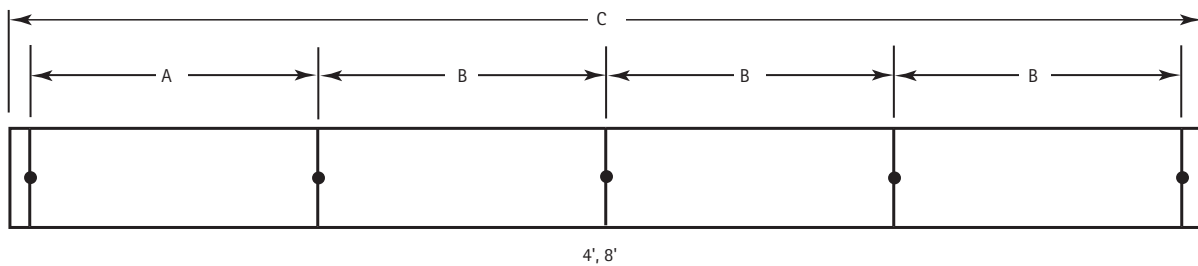
BOTTOM VIEW



SINGLE MOUNTING



ROW MOUNTING



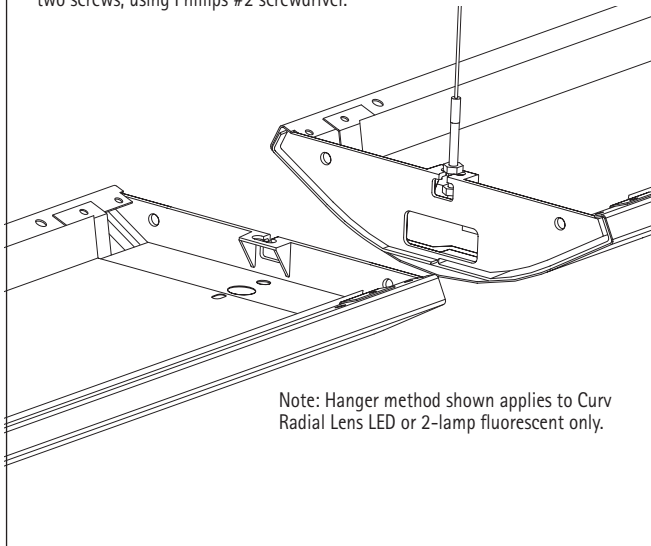
DATA CHART

Size	Approximate Weight (LBS)		Dimensional Data				
	Nominal Length	Blank Distribution (80% Up, 20% Down)	Optional Distributions: 60% Up / 40% Down 40% Up / 60% Down 20% Up / 80% Down 100% Down	A	B	C	D
4'		17.1	19.4	47 ³ / ₄ "	48"	192 ⁵ / ₈ "	48 ⁵ / ₈ "
8'		28.6	30.9	95 ³ / ₄ "	96"	384 ⁵ / ₈ "	96 ⁵ / ₈ "

Note: Suspension data is computed using the standard aircraft cable assembly. The use of rigid stems will yield different data. Please consult factory for

Connection Instructions:

1. Install first fixture of row with two hangers.
2. Slide inner die cast plates together.
3. Secure fixture joints with two bolts and nuts and attach hanger at opposite end.
4. Repeat steps 2 and 3 until row is complete.
5. At each end of the row, attach and align end cap with two screws, using Phillips #2 screwdriver.



Suspension Instructions:

1. Set bottom nut to desired fixture height.
2. Adjust upper nut for a minimum of 3/8" between upper and lower nuts.
3. Slide cable hanger into hanger slot.
4. Secure and tighten upper nut.

