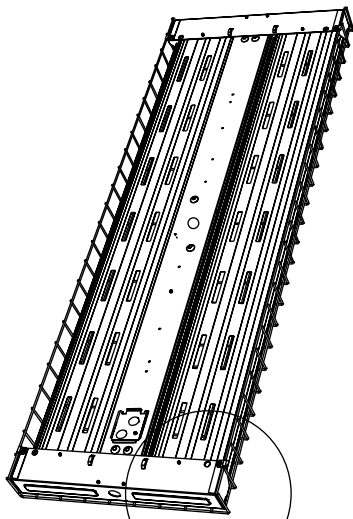


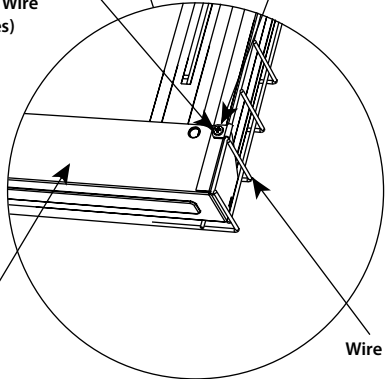
**WIRE GUARD VERSABAY® INSTALLATION**

| TOLERANCE:<br>(Unless otherwise specified, tolerance for dimensions are as follows) |               |
|---|---------------|
| Fractions   | +/- 1/64      |
| Angles  | +/- 2 degrees |
| Decimals  | +/- 0.005     |



Remove End Cap screw and secure with screws provided with Wire Guard (4 places)

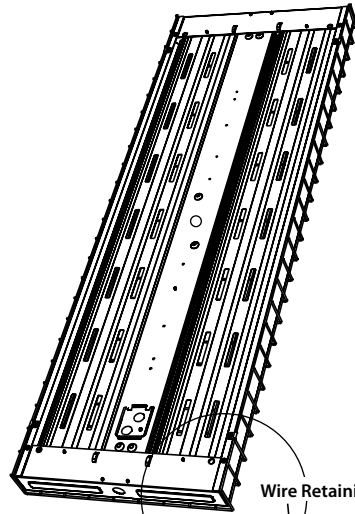
Wire Retaining Clip provided with Wire Guard



Fixture End Cap

Wire Guard

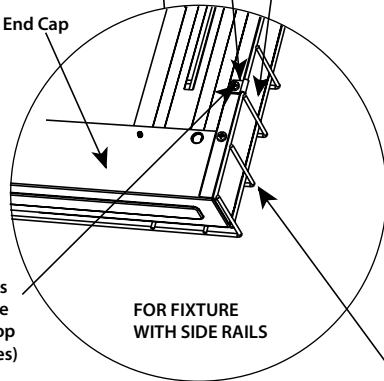
**FOR FIXTURE WITHOUT SIDE RAILS**



Wire Retaining Clip

Side Rail

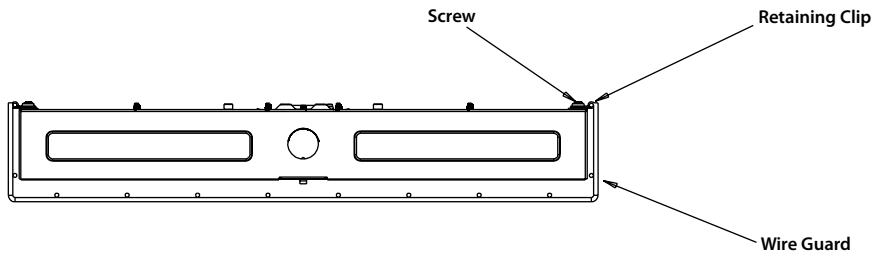
Fixture End Cap



Secure with screws provided with Wire Guard in hole in top of side rail (4 places)

**FOR FIXTURE WITH SIDE RAILS**

Wire Guard



Screw

Retaining Clip

Wire Guard

**Applies to both fluorescent (shown) and LED VersaBay® High Bays**