

INSTALLATION INSTRUCTIONS

FIXTURE TYPE _____

**LITEWAVE
LHE-1X4,2X2,2X4**

P/C **510586-0000**

PG. 1 OF 1

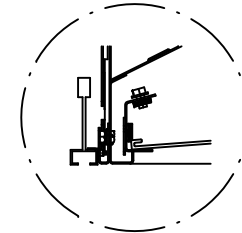
DO NOT MODIFY OR ALTER THIS PRODUCT IN ANY WAY, OR INSTALL IN ANY FASHION WHICH IS CONTRARY TO THE INSTRUCTIONS CONTAINED HEREIN. IF YOU HAVE ANY QUESTIONS REGARDING THIS PRODUCT OR THE INSTALLATION OF IT, PLEASE CALL LITECONTROL ENGINEERING AT 781-294-0100.

GENERAL NOTES:

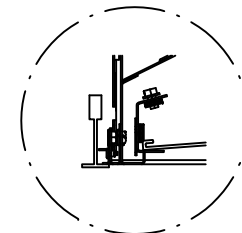
- A) READ ENTIRE INSTRUCTION SHEET BEFORE INSTALLATION.
- B) FIXTURES CANNOT BE MOUNTED BACK TO BACK IN A ROW.
- C) THE FIXTURE AS PROVIDED IN THE CARTON IS COMPLETELY WIRED AND ASSEMBLED. BALLAST LINE LEADS AND GROUNDING CONDUCTOR HAVE BEEN BROUGHT OUT THROUGH THE OPENING IN THE TOP OF THE FIXTURE AND TAPED UNDERNEATH THE ACCESS COVER PLATE SO THAT IT IS NOT NECESSARY TO REMOVE THE RELECTORS FOR INSTALLATION.
- D) THE FIXTURE IS PROVIDED WITH ADDITIONAL 7/8" FEED KNOCKOUTS AT BOTH ENDS OF FIXTURE.
- E) HOLES ARE PROVIDED IN THE SAFETY EARS FOR A SUPPLEMENTARY CHAIN OR WIRE SUPPORT AS MAY BE REQUIRED BY LOCAL CODES.
- F) DOOR FRAME ASSEMBLIES ARE SHIPPED SEPARATELY.

INSTRUCTIONS:

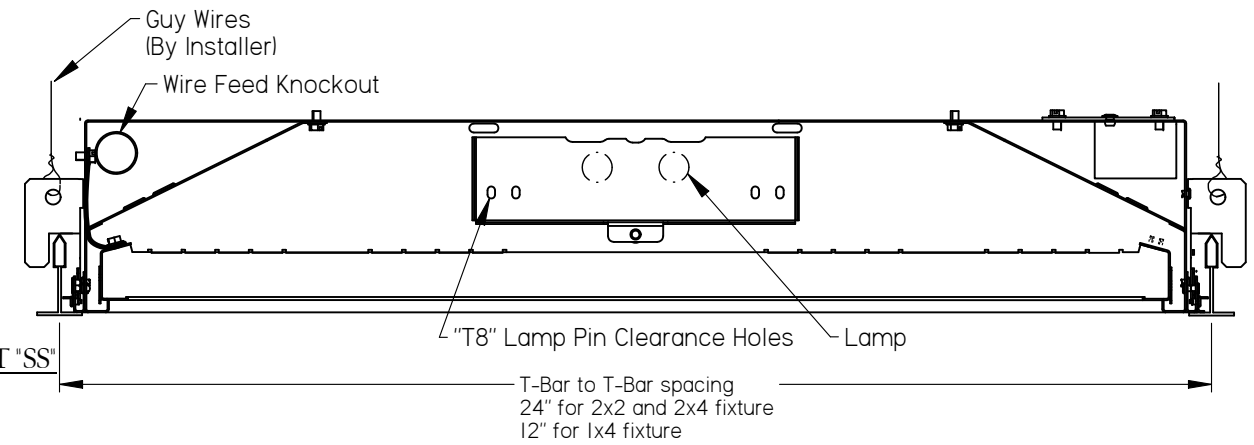
1. REMOVE FIXTURE FROM CARTONING. BEND OUT SAFETY EARS ON FIXTURE. SEE DETAIL "A". LIFT FIXTURE DIAGONALLY THROUGH THE OPENING ABOVE CEILING GRID AND REST IT ON THE T-BARS SO THAT THE SAFETY EARS SEAT OVER T-BARS. ATTACH GUY WIRES FROM OVERHEAD CEILING STRUCTURE AND LEVEL.
2. WIRE FEED MAY BE BROUGHT INTO FIXTURE THRU 7/8" HOLE AT EITHER END OR THRU THE 7/8" KO'S IN THE ACCESS PLATE ON TOP OF HOUSING.
3. LOOSEN ACCESS COVER SCREWS AND SLIDE COVER OUT THRU KEYHOLES. REMOVE A KNOCKOUT IN COVER AND ATTACH THE FLEXIBLE CONDUIT FEED (BY E.C.) REMOVE TAPE HOLDING FIXTURE WIRES AND MAKE WIRING CONNECTIONS. CAREFULLY PUSH WIRE CONNECTIONS BACK INTO HOUSING AND RE-INSTALL ACCESS COVER.
4. LAMP INSTALLATION: (LAMPS PROVIDED BY OTHERS) FOR T8 LAMPS: INSERT LAMP PINS INTO CLEARANCE SLOTS IN END OF FIXTURE, SHIFT LAMP INTO POSITION AND CAREFULLY PUSH LAMPS INTO SOCKETS. CLEAN REFLECTOR SURFACES WITH A GENERAL WINDOW CLEANER.
5. DOOR FRAME ASSEMBLY INSTALLATION: LOOP SAFETY TETHERS PROVIDED ATTACHED INSIDE OF FIXTURE OVER SCREW HEADS PROVIDED ON ONE SIDE OF DOOR FRAME ASSY. TIGHTEN SCREWS. LIFT AND SHIFT DOOR FRAME ASSY INTO FIXTURE GRIPPING THE CENTER SECTION OF THE DIFFUSER AS SHOWN BELOW.



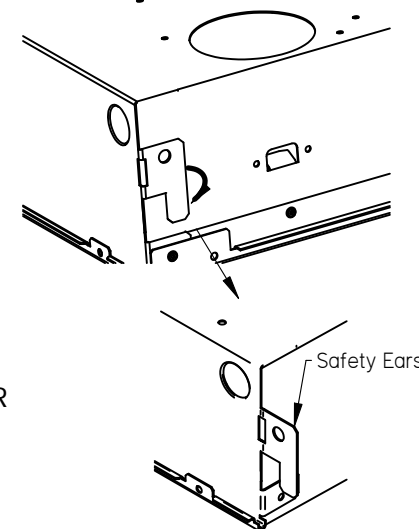
CEILING TYPE - 9/16" SCREWSLOT "SS"



CEILING TYPE - "NG" 9/16" T-BAR



CROSS SECTION LHE 2X2 & 2X4 - 15/16" T-BAR SHOWN



DETAIL "A"

