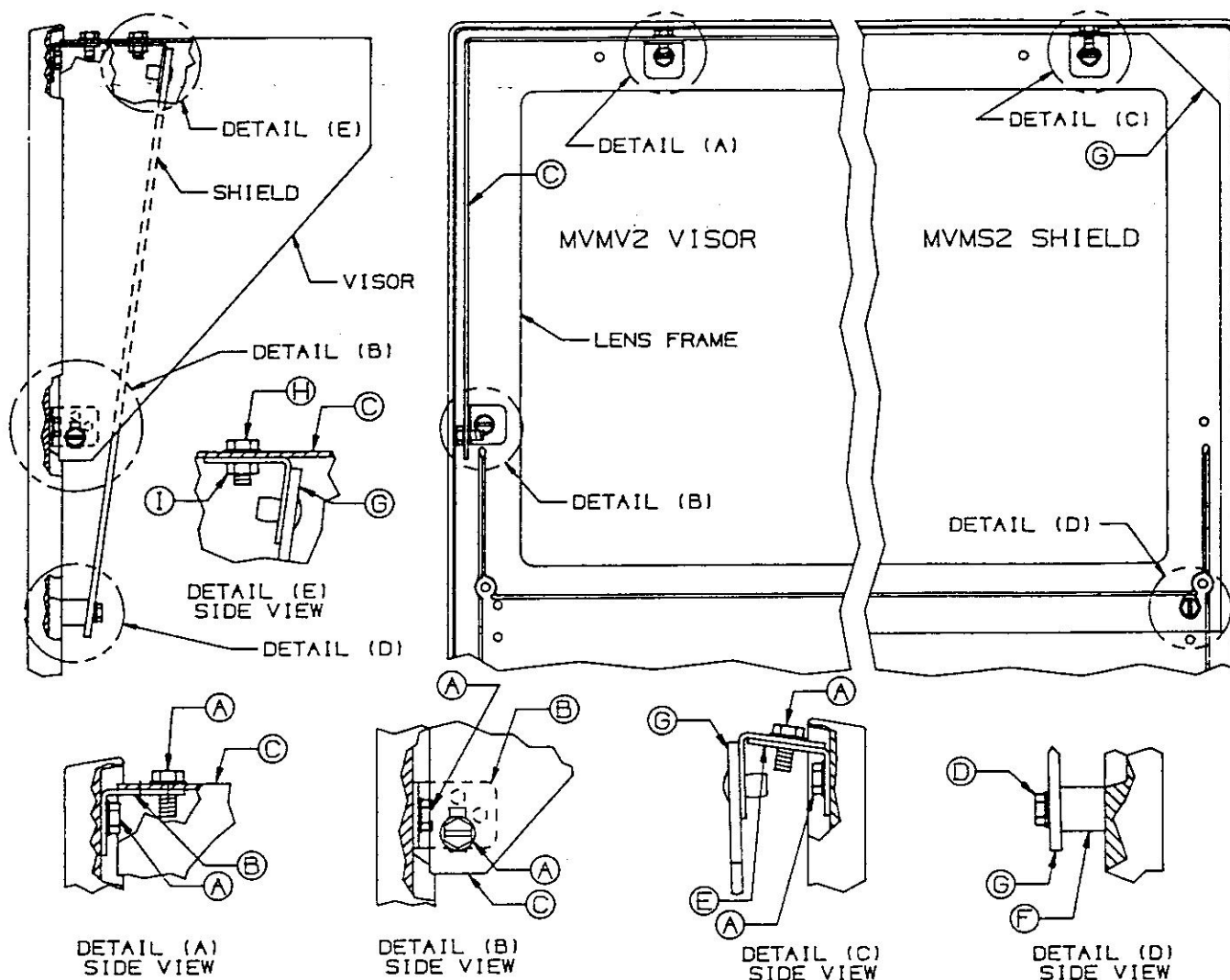


# INSTALLATION INSTRUCTIONS FOR MAGNULITER SERIES ENDING IN (-2XX)



## INSTALLATION INSTRUCTION FOR MVMV2 VISOR

1. Locate the (8) #10-24x3/8 thread forming screws item (A) and the (4) brackets item (B) included in Visor hardware kit.
2. Install the (4) brackets item (B) to lens frame as illustrated in details (A) and (B) with the (4) #10-24x3/8 screws item (A).
3. Install Visor item (C) to the (4) brackets item (B) with (4) #10-24x3/8 screws item (A) as illustrated in details (A) and (B).

## INSTALLATION INSTRUCTION FOR MVMS2 SHIELD

1. Locate the (4) #10-24x3/8 thread forming screws item (A), the (2) #10-24x7/8 thread forming screws item (D), the (2) brackets item (E) and the (2) 1/2x1/2 spacers item (F) included in Shield hardware kit.
2. Install the (2) brackets item (E) to lens frame as illustrated in detail (C) with (2) #10-24x3/8 screws item (A).
3. Install Shield item (G) to the (2) brackets item (E) as illustrated in detail (C) with (2) #10-24x3/8 screws item (A).
4. Install bottom end of Shield item (G) to lens frame with the (2) 1/2-1/2 spacers item (F) and the (2) #10-24x7/8 screws item (D) as illustrated in detail (D).

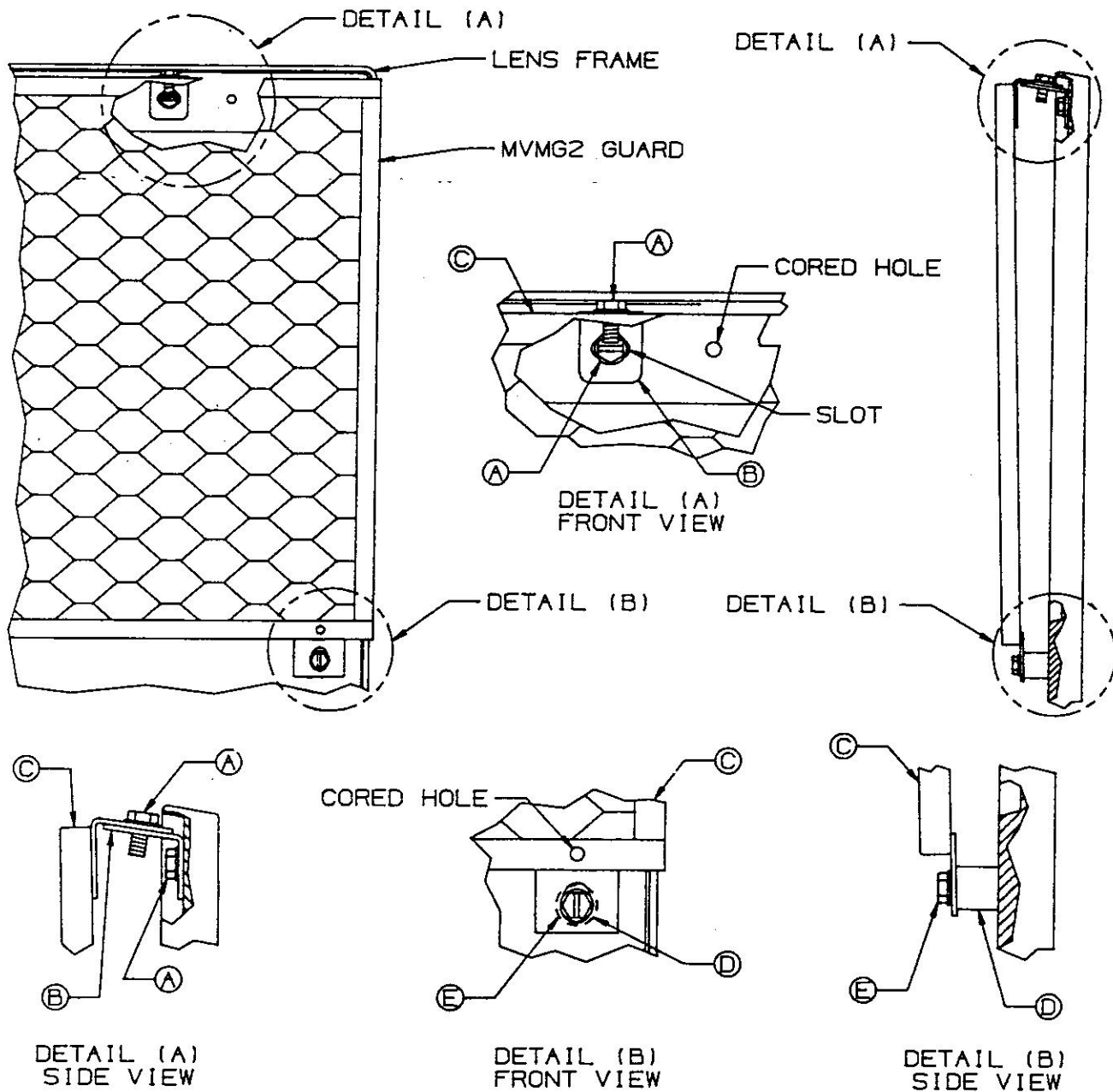
## INSTALLATION INSTRUCTION FOR VISOR WITH SHIELD

1. Install the (4) brackets item (B) as described in Visor installation.
2. Attach the shield item (G) to the visor item (C) with the (2) screws item (H) and the (2) nuts item (I) as illustrated in detail (E).
3. Install visor and shield assembly to lens frame as described in visor and shield installation instructions.



Hubbell Lighting, Inc.  
 A Subsidiary of Hubbell Incorporated  
 2000 Electric Way  
 Christiansburg, VA 24073-2500  
 (540) 382-6111  
 FAX (540) 382-1526

268-0668-9901



**INSTALLATION INSTRUCTION FOR MVMG2 GUARD**

1. Locate the (4) #10-24x3/8 thread forming screws item (A), the (2) brackets item (B), the (2) 1/2x1/2 spacers item (D) and the (2) #10-24x7/8 thread forming screws item (E) included in the Guard hardware kit.
2. Install the (2) brackets item (B) to lens frame as illustrated in details (A) with (2) #10-24x3/8 screws item (A).
3. Install Guard item (C) to the (2) brackets item (B) as illustrated in details (A) with (2) #10-24x3/8 screws item (A).
4. Install bottom end of Guard item (C) to lens frame with the (2) 1/2x1/2 spacers item (D) and the (2) #10-24x7/8 screws item (E) as illustrated in details (B).

**NOTE:** Quality and product improvement is a continuous program by Hubbell Lighting Division. Data in this bulletin is subject to change without notice.



Hubbell Lighting, Inc.  
 A Subsidiary of Hubbell Incorporated  
 2000 Electric Way  
 Christiansburg, VA 24073-2500  
 (540) 382-6111  
 FAX (540) 382-1526

268-0668-9901