

INSTALLATION INSTRUCTIONS

FIXTURE TYPE _____

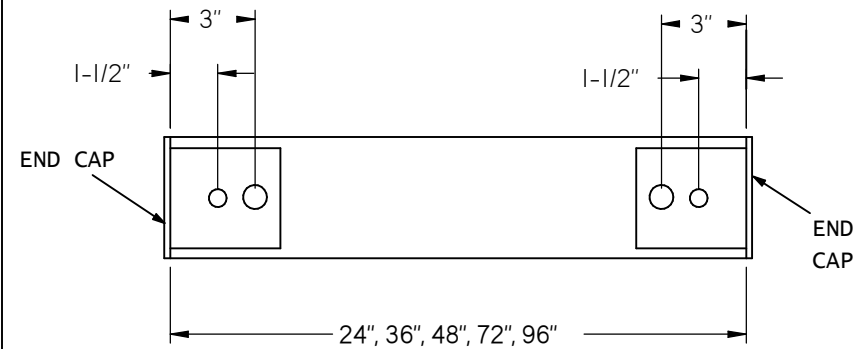
**P-ID-4600
FIXTURE**

P/C **510487-2000**

DATE: 9-27-06

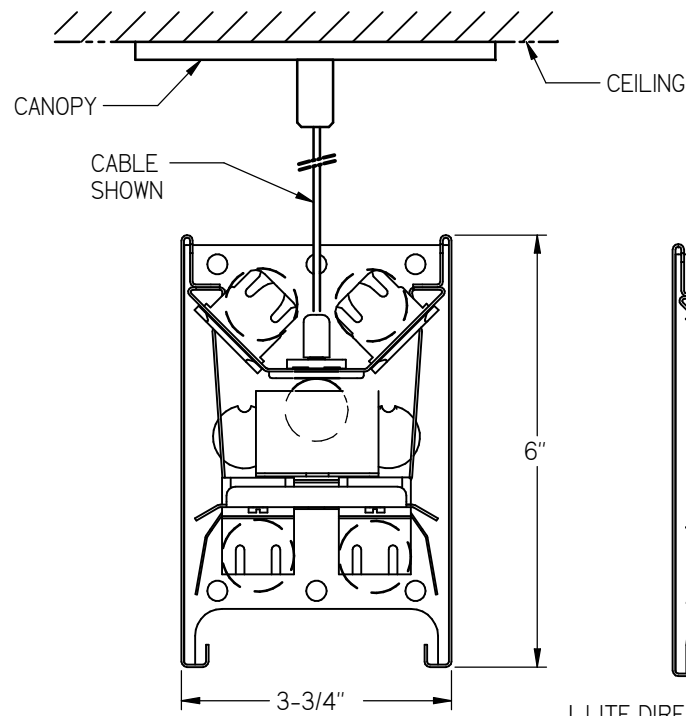
PG. 1 OF 2

DO NOT MODIFY OR ALTER THIS PRODUCT IN ANY WAY, OR INSTALL IN ANY FASHION WHICH IS CONTRARY TO THE INSTRUCTIONS CONTAINED HEREIN. IF YOU HAVE ANY QUESTIONS REGARDING THIS PRODUCT OR THE INSTALLATION OF IT, PLEASE CALL LITECONTROL ENGINEERING AT 781-294-0100.

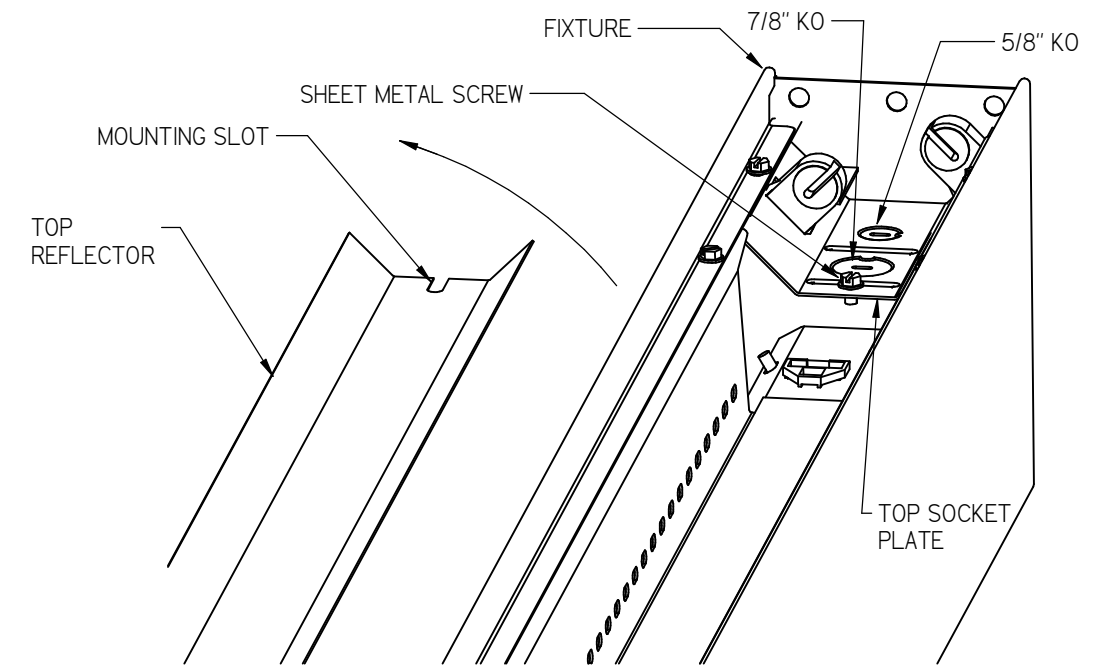


- = 5/8" FEED CORD KO'S
- = 7/8" KO'S FOR MOUNTING CABLES

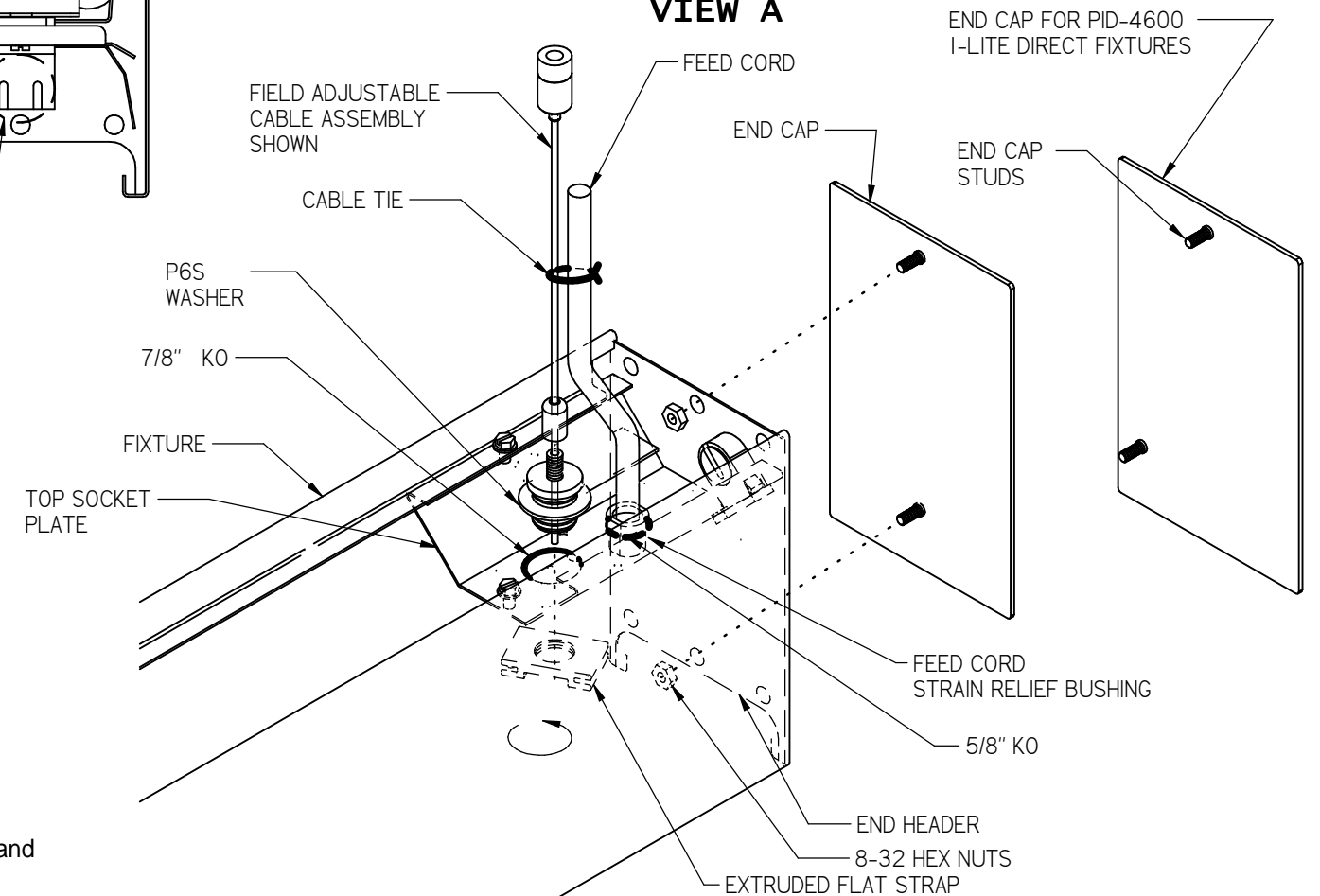
PLAN VIEW



CROSS SECTIONS



VIEW A



VIEW B

GENERAL NOTES: (READ SHEETS COMPLETELY BEFORE STARTING)

1. Leave protective wrapping material on fixture until fixtures are mounted: This will protect finish from damage.
2. Fixtures are supplied with factory installed branch circuit wiring. Refer to supplemental instruction sheet for making connections.
3. Fixtures are hung with aircraft cables only. Cables are shipped separately. Refer to installation instructions for mounting to ceiling. Approximate weight of fixture is 5 lbs per foot of length.

INSTRUCTIONS:

1. Remove Top Reflector from fixture by removing (2) sheet metal screws and shifting reflector out. See View "A".
2. **MOUNTING INDIVIDUAL FIXTURES:** (2) CABLES ARE REQUIRED FOR MOUNTING EACH FIXTURE.
 - A) Remove knockouts in Top Socket Plates as shown in Plan View above and View "A". Remove the 5/8" KO at electrical feed cord locations.
 - B) Mount End Caps (shipped separately) to both ends of fixture with (2) 8-32 nuts as shown in View "B". NOTE: 2 types of End Caps are available pending quantity of downlite lamps in fixture. Before tightening nuts, position End Caps so they are flush with sides of fixture.
 - C) **CABLE MOUNTING:** Refer to instruction sheet shipped with Cables for attachment at ceiling. Mount Cables thru 7/8" ko's and secure with extruded Flat Strap. Raise fixture up to ceiling and attach to Canopy hardware. Attach Strain Relief to Feed Cord and insert bushing into 5/8" ko. Level Fixture by adjusting locknuts (fixed length cables) or Cable grippers (field adjustable cables).
 - D) Make electrical connections in fixture wireway.

GO TO STEP 5 ON PAGE 2

INSTALLATION INSTRUCTIONS

**P-ID-4600
FIXTURE**

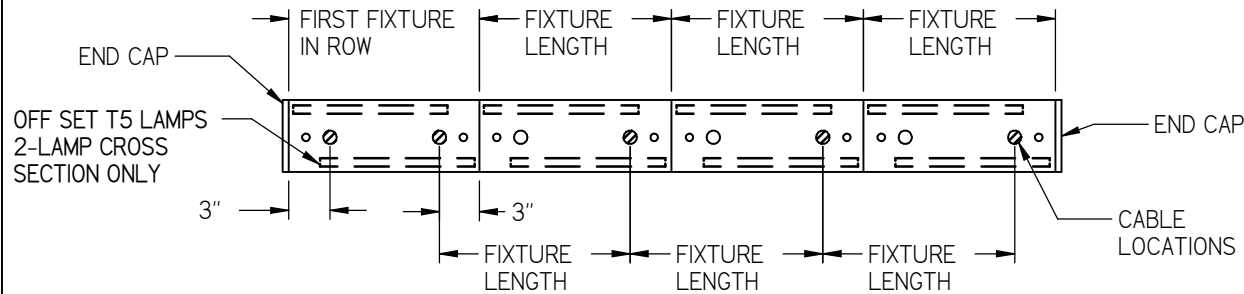
FIXTURE TYPE _____

P/C **510487-2000**

DATE: 9-27-06

PG. 2 OF 2

DO NOT MODIFY OR ALTER THIS PRODUCT IN ANY WAY, OR INSTALL IN ANY FASHION WHICH IS CONTRARY TO THE INSTRUCTIONS CONTAINED HEREIN.
IF YOU HAVE ANY QUESTIONS REGARDING THIS PRODUCT OR THE INSTALLATION OF IT, PLEASE CALL LITECONTROL ENGINEERING AT 781-294-0100.



PLAN VIEW FOR ROW MOUNTED FIXTURES

3. MOUNTING ROWS OF FIXTURES:

NOTE: Fixtures are installed connected to each other at row joint per steps below.
Two lamp T5 and T5HO cross section fixtures have offset lamp locations, position fixtures in rows as shown above.

- A) Refer to Plan View above and on page 1 for locations of ko's that require removal for each fixture. Non-feed Cable locations do not require removal of 5/8" KO's.
- B) Starting with the first fixture in row, attach (1) End Cap to one end of fixture per step 2B and (2) cables per step 2C.
- C) Lift and install first fixture to ceiling.
- D) Remove the 7/8" KO in the top Socket Plate of the next fixture in the row as shown above and attach (1) cable. Lift fixture up to ceiling and mount to canopy hardware: See View "C". Loosely bolt this fixture to the first fixture at row joint with (2) 1/4-20 x 3/8" long machine screws and nuts. Use the offset lower hole in end headers when 1-lite Direct fixture is used otherwise use center holes for mounting. Branch circuit wires can be brought thru 7/8" holes in end headers at each row joint.
- E) Press a Spline (found in polybag) into each bottom rail at row joint for alignment.
- F) Level each fixture and align seams at row joint before tightening all screws.
- G) Repeat steps 3D, 3E, & 3F for each additional fixture in row. Install another End Cap onto the last fixture in the row before installing to ceiling.

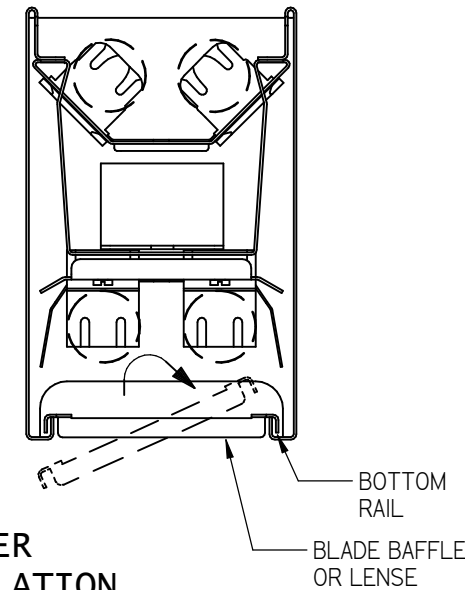
- 4. Make all wiring connections in fixture wireways.
- 5. Replace all Reflectors and remove all wrapping material.
- 6. Clean fixture exteriors with a general window cleaner and install lamps (by others) by inserting lamp pins into sockets until they seat in place.

7. DIFFUSER INSTALLATION:

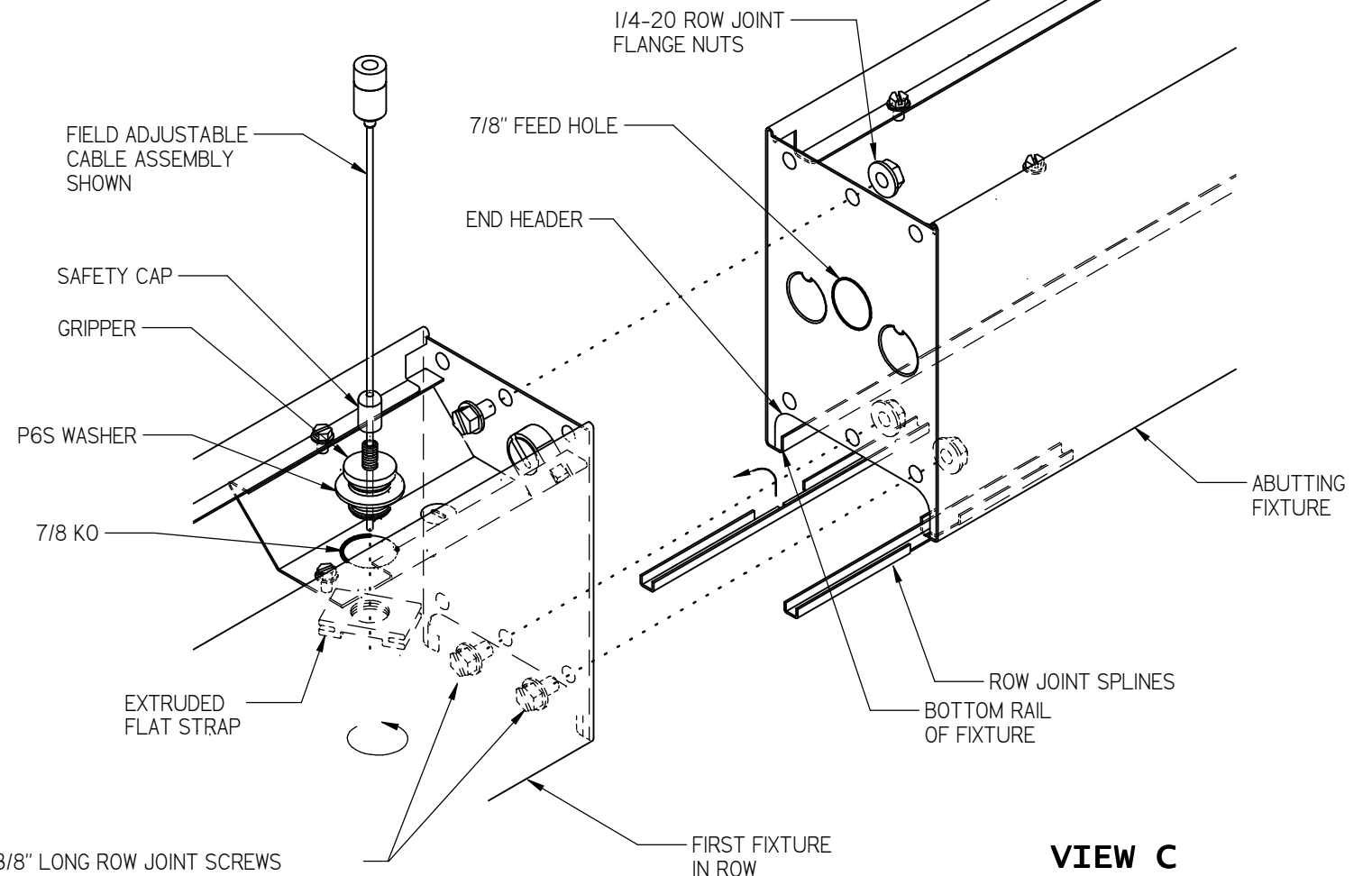
Use caution when installing diffusers to prevent lamp damage.

LENSES and BLADE BAFFLES are shifted into bottom fixture opening and rest on top of rails. Lenses are installed with the smooth side up.

7



DIFFUSER INSTALLATION



1/4-20 x 3/8" LONG ROW JOINT SCREWS
USE LOWER OFFSET HOLE IN END HEADERS FOR
1-LAMP DOWNLITE FIXTURES, OTHERWISE
USE CENTER HOLES FOR ROW MOUNTING

**VIEW C
ROW JOINT ASSEMBLY**