

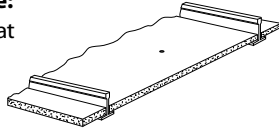
# Planning for Installation

## Suspension On the T-Bar

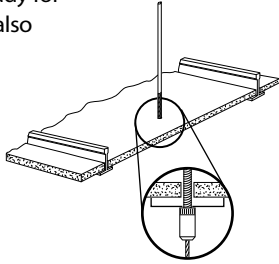
### Non-Fed Location Detail

#### Without Grid-mounted Hardware:

1) Cut a 3/8" hole in the ceiling tile at the support location.

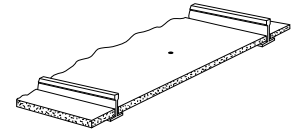


2) Suspend a 1/4 – 20 threaded rod through the hole in the tile, extending rod 3/4" below tile. Rod must be supported to structure as required by code. Mounting point is now ready for attachment of cable sleeve, which also supports decorative canopy.

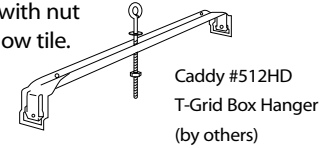


#### With Grid-mounted Hardware:

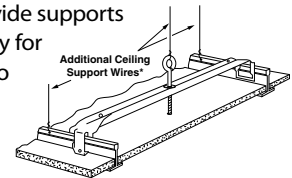
1) Cut a 3/8" hole in the ceiling tile at the support location.



2) Insert a 1/4 – 20 bolt or threaded rod through Caddy #512HD hanger bar and fasten with nut and washer so bolt will extend 3/4" below tile. If code requires support at mounting point, use eyebolt for attachment of support wire.



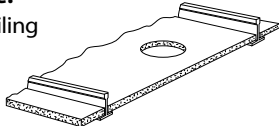
3) Snap assembly onto the T-bar, provide supports required. Mounting point is now ready for attachment of cable sleeve, which also supports decorative canopy.



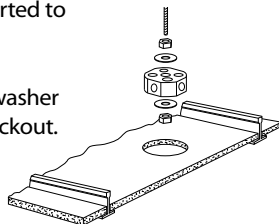
### Feed Location Detail

#### Without Grid-mounted Hardware:

1) Cut a hole (4" to 4 1/4") in the ceiling tile at the support location.

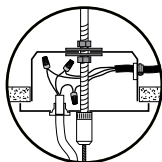


2) Suspend a 1/4 – 20 threaded rod through tile at the support location, extending rod 3/4" below tile. Rod must be supported to structure as required by code.



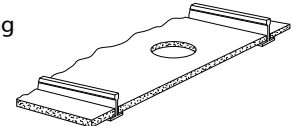
3) Mount the J-box onto rod with washer and nut on each side of center knockout. Adjust box position so bottom is flush with ceiling.

4) Pull feed cord through canopy (both provided) and complete wiring connections. Cover J-box and hole with canopy and secure with cable sleeve threaded onto rod. Cable and feed cord are now ready for attachment to fixture.

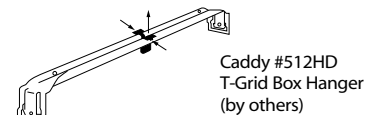


#### With Grid-mounted Hardware:

1) Cut a hole (4" to 4 1/4") in the ceiling tile at the support location.



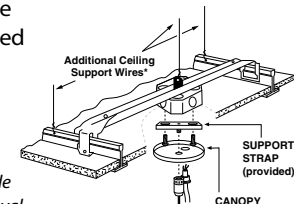
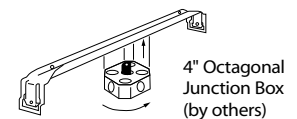
2) Remove box mounting clip from bar and insert into center knockout of electrical box, placing locking tabs in small holes.



3) Push box clip into bar slot at the desired location and rotate the electrical box and clip clockwise to "lock" the box in place.

4) Snap assembly onto the T-bar. Provide supports as required by code.

5) Pull feed cord through canopy (both provided) and complete wiring connections. Attach support strap with threaded stud to J-box. Cover J-box and hole with canopy and secure with cable sleeve threaded onto rod. Cable and feed cord are now ready for attachment to fixture.



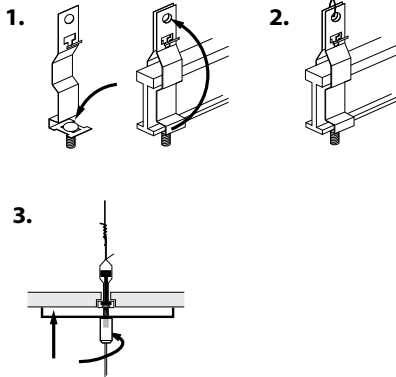
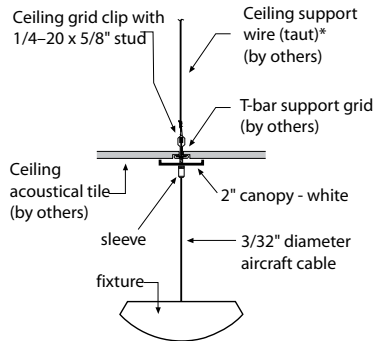
- Additional Parts (by others)
- 4" octagonal junction box
  - Caddy #512HD T-grid box hanger
    - Includes #510HD mounting clip
  - 1/4 – 20 threaded rod or bolt, with nuts and washers
  - Support wire or chain, as required by code

\*12 gauge support wires (by others) are secured to building structure.

**Note:** Consult local authority for code requirements and application approval.

## Planning for Installation

### Non-Fed Location Detail



- 1) Insert 1/4-20 x 5/8" stud through bottom of Caddy IDS clip (provided with clip). Secure clip around T-Bar.
- 2) Attach ceiling support wire.\*
- 3) Place canopy flush with ceiling tile. Thread cable sleeve onto 1/4-20 stud.

#### Additional Parts (by others)

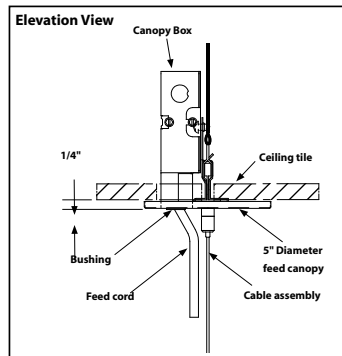
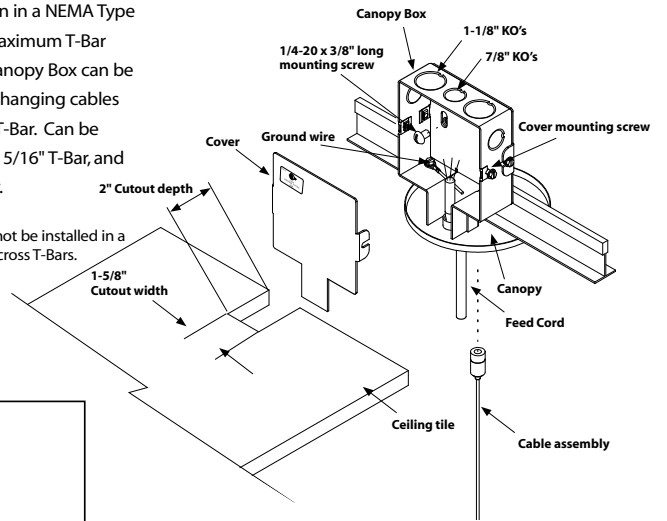
- 1/4 - 20 threaded rod or bolt, with nuts and washers
- Support wire or chain, as required by code

\*12-gauge support wires (by others) are secured to building structure.  
**Note:** Consult local authority for code requirements and application approval.

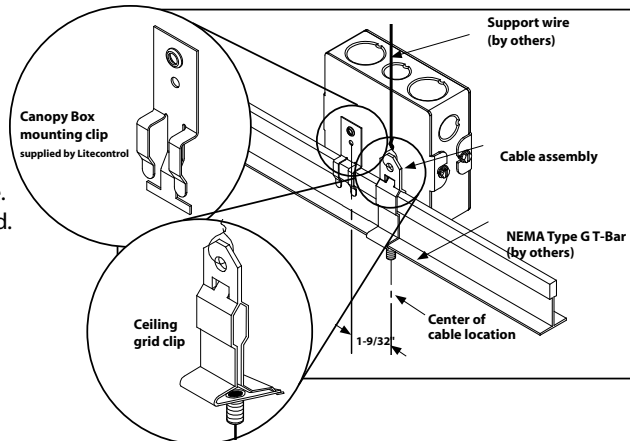
### Feed Location Detail

The optional **Litecontrol Canopy Box** is intended for installation in a NEMA Type G grid ceiling with a maximum T-Bar height of 1-1/2". The Canopy Box can be installed where fixture hanging cables are located on a main T-Bar. Can be used with 9/16" T-Bar, 15/16" T-Bar, and "Screw-Slot" type T-Bar.

Note: the Canopy Box cannot be installed in a location with intersecting cross T-Bars.



The Litecontrol Canopy Box is UL Listed and meets National Electric Code (NEC) guideline. This system addresses requirement that feed cord must directly enter the electrical box at the ceiling plane.



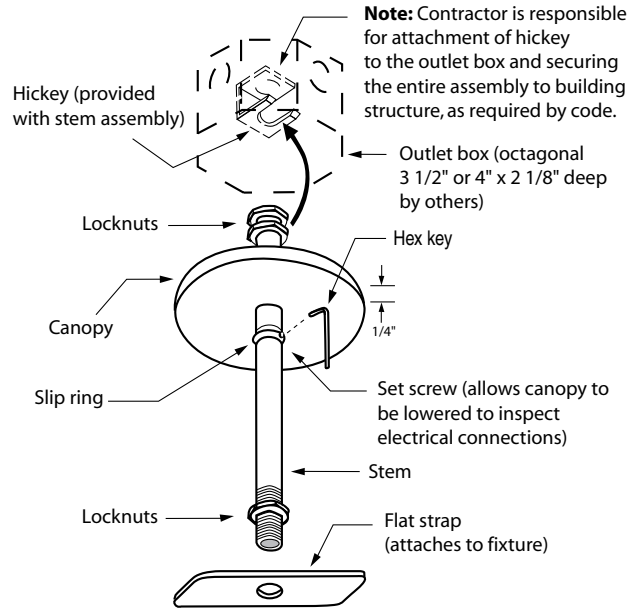
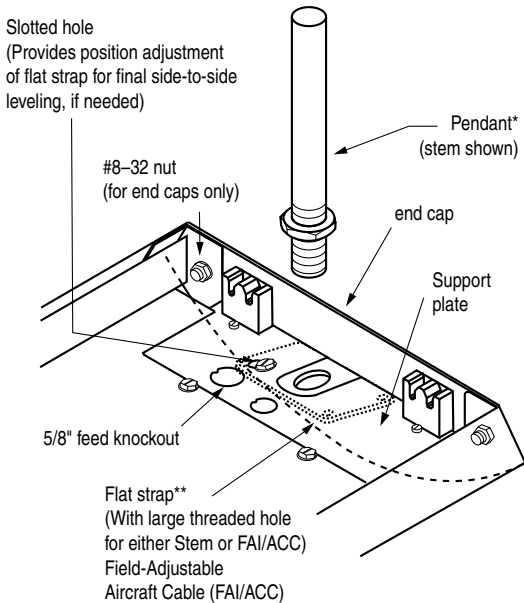
#### Ordering Guidelines

- Canopy Box options can be used with Litecontrol Fixed Length Aircraft Cable Assemblies (**ACC/F**) and Field Adjustable Aircraft Cable assemblies (**FAI/ACC/F**).
- The catalog designator for the Canopy Box is "**LCB**".
- Add "**LCB**" to the Aircraft Cable assembly catalog number to include the Canopy Box option. (Example: **FAI/ACC/F/LCB**)
- One Canopy Box is needed for each feed cable assembly located on a grid.

1. Ceiling Grid Clip (Caddy IDS) attaches to the T-Bar at each feed cable location with 1/4-20 threaded stud for fixture mounting (Caddy IDS 9.5 attaches to a Screw Slot T-Bar).
2. Canopy Box mounting clip snaps onto T-Bar 1-9/32" away from Ceiling Grid Clip.
3. Canopy Box attaches to mounting clip with one 1/4-20 x 3/8" machine screw.
4. Ceiling tile must be notched to clear lower surface of Canopy Box.
5. Bottom edge of Canopy Box is positioned below the ceiling plane and makes direct contact with the canopy after installation is completed.

# Planning for Installation

## Pendant Support System

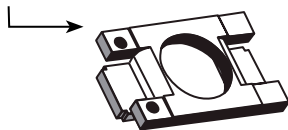


### Litecontrol's

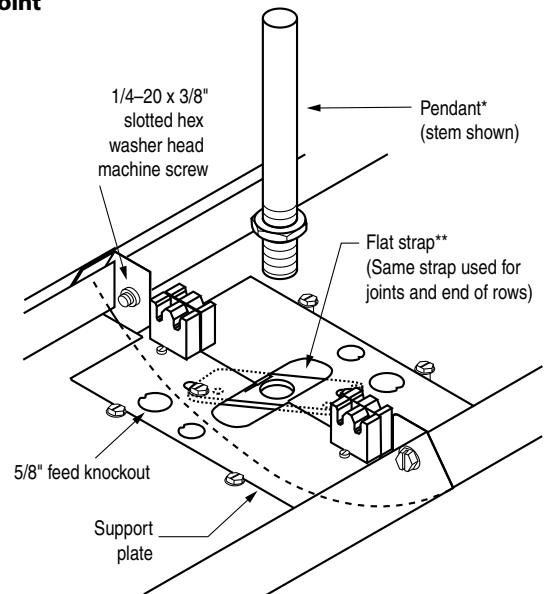
easy-hang system uses a universal flat strap for easy attachment of aircraft cables or rigid stems at either in-row joints or end-of-row locations. This allows for suspension of fixture rows on-seam.

\*Most fixtures can readily accept cables or P6S stems as shown above. Mixed systems, such as stems only for feed locations, can also be specified. Stems may not be mounted "on the T-bar".

\*\*Some products may be provided with a slide-on version of the flat strap. A cotter pin is used to locate and secure the strap during installation.



### Fixture Joint

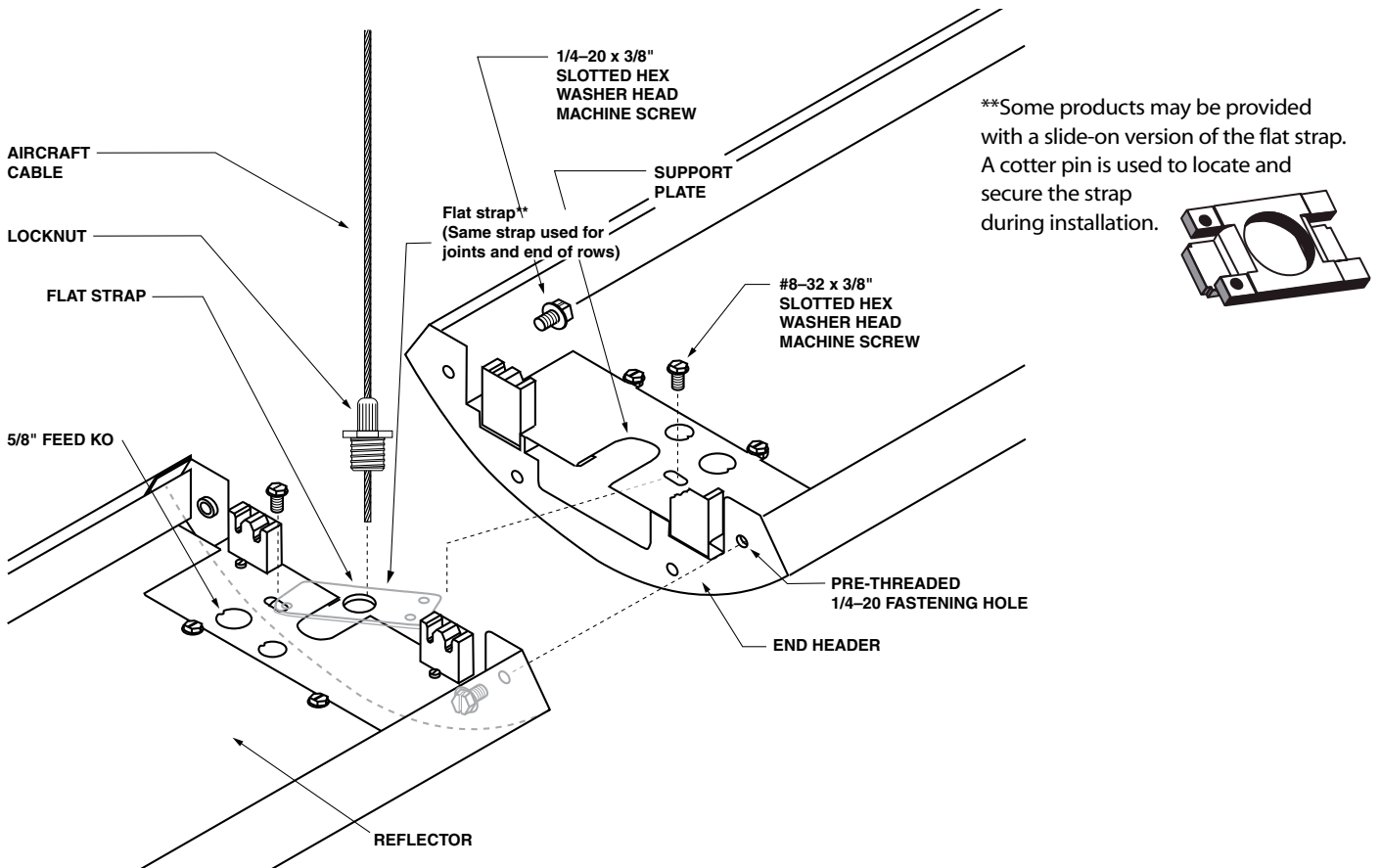


**Note: Some Litecontrol fixtures may be configured differently than shown, with other hardware and mounting details.**

**Fixture Connections**

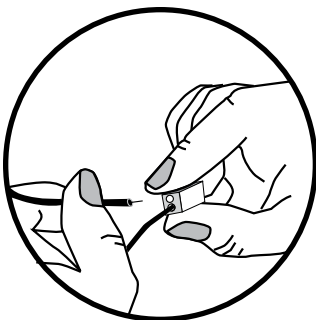
**Planning for Installation**

**Typical joining detail with field-adjustable cable**



**Installation**

for many products such as the P-I-9800 and P-I-95 SAE Systems, fixtures require no nuts. The 1/4-20 x 3/8" machine screw (provided) simply joins with the attached fastener, making your installation easy and convenient.



**Pre-wiring**

Fixtures are supplied with #12 AWG type THHN wire for branch circuits. One end will have factory-installed push-in quick-connects. The other end will be stripped back 1/2" for quick connection in field.

**Note: Some Litecontrol fixtures may be configured differently than shown, with other hardware and mounting details.**