

INSTALLATION INSTRUCTIONS FOR RAVEN SERIES

WARNING: DISCONNECT POWER BEFORE INSTALLATION OR MAINTENANCE

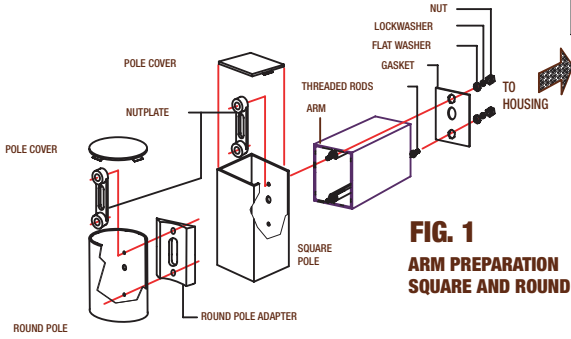


FIG. 1
ARM PREPARATION
SQUARE AND ROUND POLES

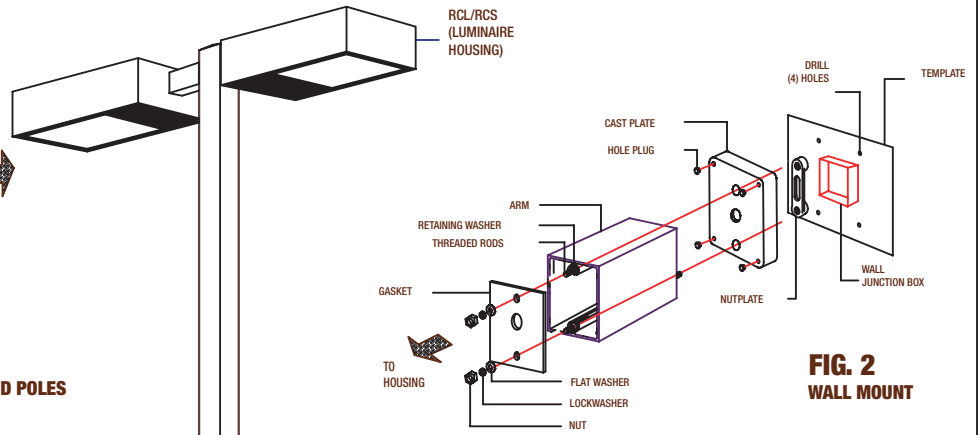
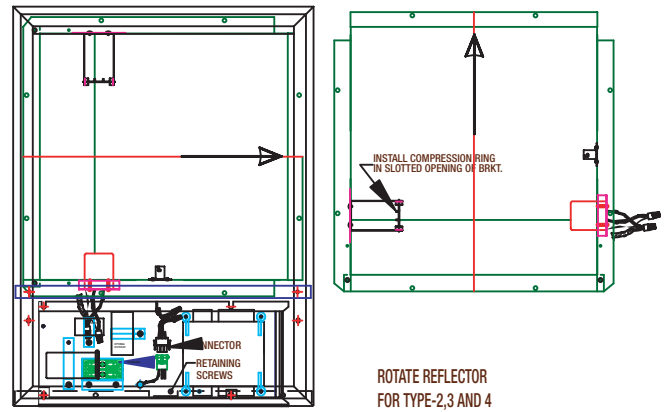
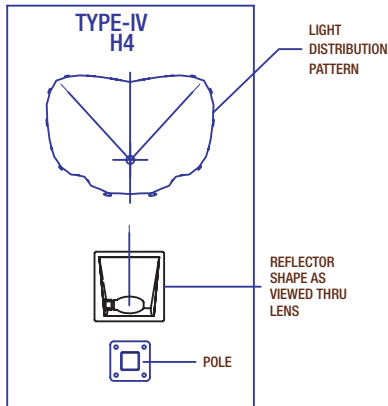
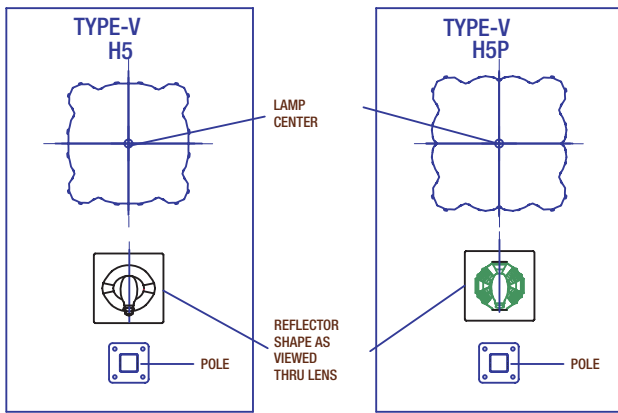
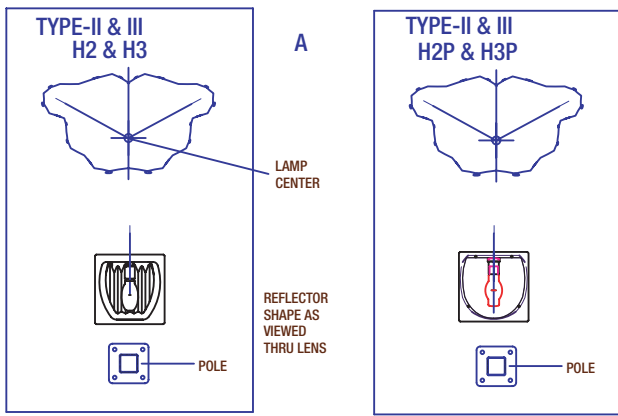
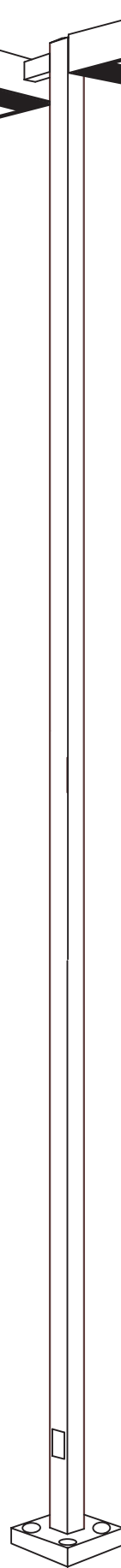
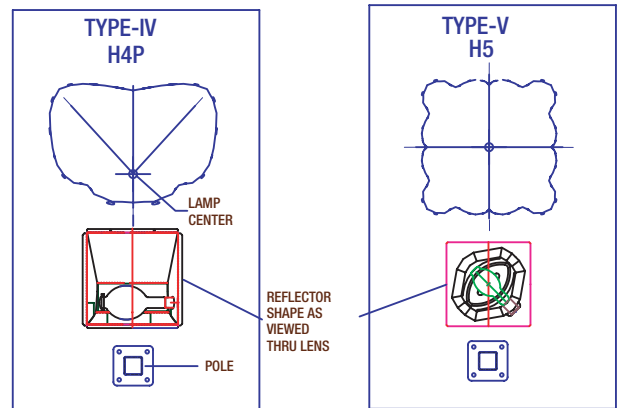
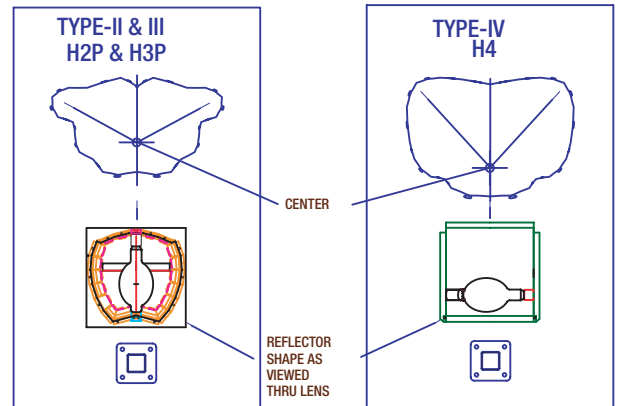


FIG. 2
WALL MOUNT

RCS SERIES REFLECTOR OPTICAL DISTRIBUTIONS

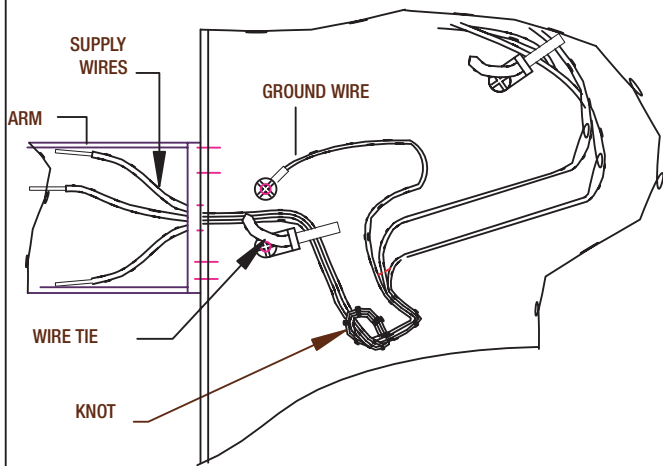
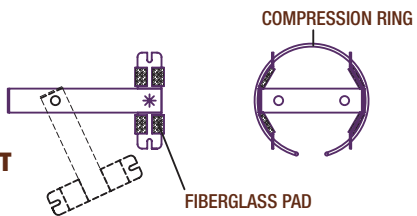


RCL SERIES REFLECTOR OPTICAL DISTRIBUTIONS



1.

FIG. 3
LAMP SUPPORT
(SELECT UNITS)



NOTE: SUPPLY VOLTAGE MUST MATCH BALLAST

FIG. 5
INSIDE HOUSING WIREWAY

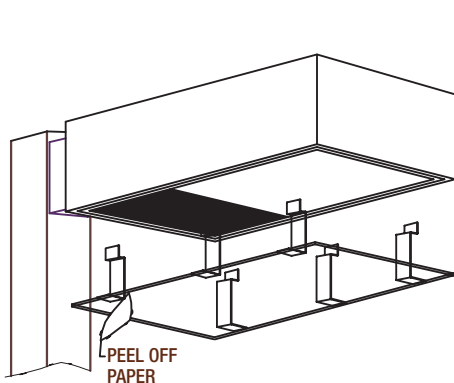
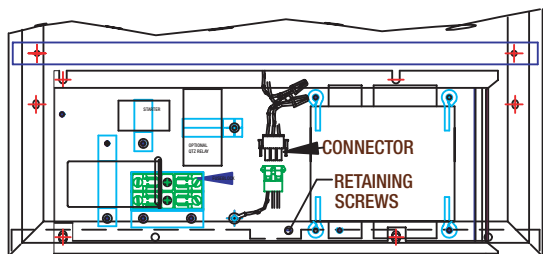
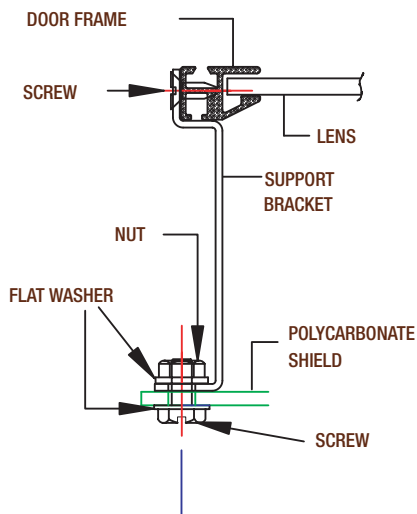
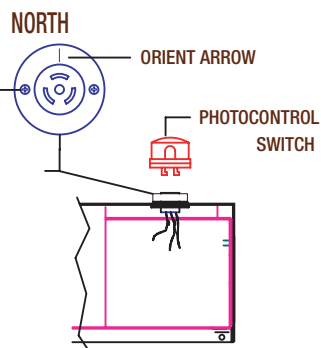


FIG. 6
VANDAL SHIELD INSTALLATION
(OPTIONAL)



HOW TO SERVICE THE BALLAST TRAY (RCL SERIES)

FIG. 8 (OPTIONAL)



NOTE: The luminaire will not operate without a photocontrol or shorting cap in place. Do not leave receptacle open to the elements.

FIG. 4
ADJUSTING PHOTOCONTROL SWITCH (OPTIONAL)

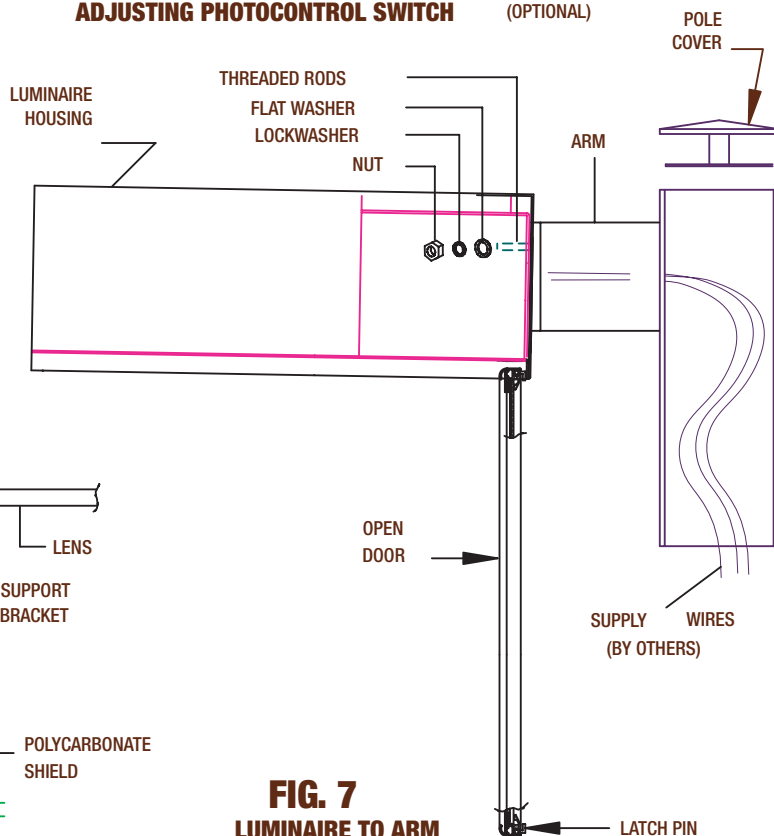
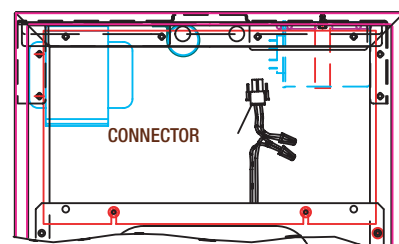


FIG. 7
LUMINAIRE TO ARM
INSTALLATION



HOW TO SERVICE THE BALLAST TRAY (RCS SERIES)

FIG. 9 (OPTIONAL)

