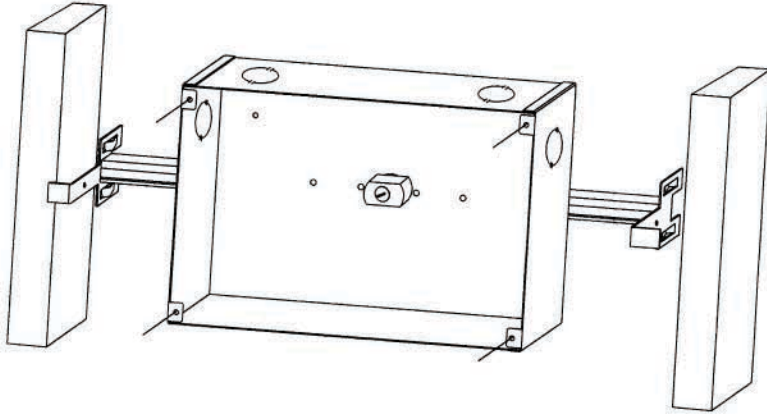




Cast Aluminum Recessed LED Exit Signs **Rough-In Back Box Installation Instructions**



ROUGH-IN BACK BOX INSTALLATION

1. Remove appropriate K.O. for electrical cable entry.
2. Attach adjustable mounting bar through center hole as shown at left.
3. Adjust mounting bar length to fit between wall studs.
4. Fasten assembly to studs so that face of box will be flush with finished wall surface.
5. Attach electrical cable to back box using approved cable connectors (supplied by installer).



Hubbell Lighting, Inc.

Hubbell Lighting, Inc. Life Safety Products • www.dual-lite.com
701 Millennium Blvd. • Greenville, SC 29607 • 864-678-1000 • Fax: 864-678-1415

Copyright© Hubbell Lighting, Inc., All Rights Reserved • Specifications subject to change without notice. • Printed in U.S.A.

0601876_B 4/08