

Installation Instructions

GENERAL SAFETY WARNING!

Dangerous voltages exist within these fixtures and all precautions usually observed in handling high voltage equipment should be observed when replacing lamps, installing or otherwise servicing these fixtures.

DO NOT AIM ABOVE HORIZONTAL

WARNING!

To reduce fire and shock hazard: Disconnect power before servicing. Install and maintain fixture to meet all applicable codes. Ensure that fixtures and wiring are properly grounded. Read and follow all instructions, electrical data markers, lamp carton warnings and wiring labels before installing. Installation of fixture is to be preformed by a qualified, licensed electrician only. The installer of this fixture is responsible for sale, secure mounting suitable for the application. Once fixture is installed, give these instructions to the equipment owner.

CAUTION!

High temperature tempered glass sometimes ruptures spontaneously. Install to minimize hazard of falling diced glass.

Unpacking Instructions:

While unpacking, it is important to verify the location of all parts before discarding any packaging materials.

Assembly Instructions:

1. Open lens assembly
2. Install lamp. Secure lamp with lamp end support wire form.
3. Close lens assembly.
4. Ensure the gasket is seated properly and snap the (4) latches over the reflector flange.

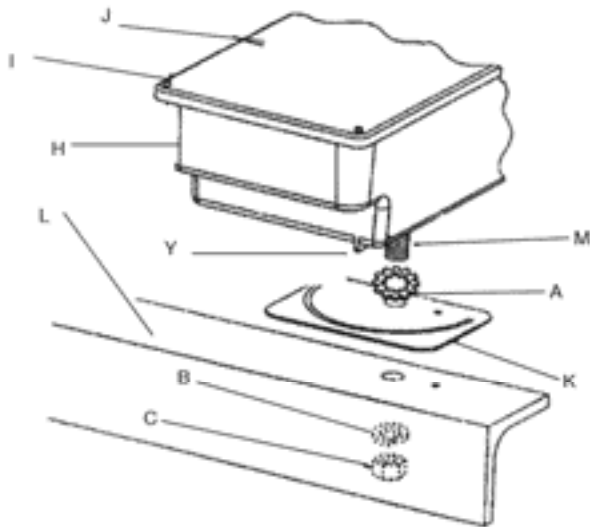


Figure 1

Mounting Instructions (See Figure 1)

This unit is supplied with 3/4" or 5/8 bolt, nut, slit washer, and toothed washer for mounting to crossarm style (flat surface) mounting brackets. This bolt is captive but may be replaced with a longer, hex head bolt if required. A 5/8" bolt, S.A.E. 5 minimum or a 3/4" bolt, S.A.E. 2 minimum is required. A tenon adapter (Ca: No. 4024SLS) is available for pole top mounting.

Included with the ballast housing is horizontal aiming plate (K).

1. Use the aiming plate as a template and mark the center of the small hole on the crossarm (L). Note: Position the forward edge parallel to the crossarm mounting bracket.
2. Drill a .219" dia. hole through the aiming plate at the location just marked. DO NOT drill through the aiming plate!
3. Using the supplied screw and nut, attach the aiming plate to the crossarm. When mounting the fixture on a wooden crossarm, use a large galvanized nail to attach the aiming plate.
4. Remove the nut (C), slit washer (B), and toothed washer (A) from the main fixture mounting bolt (M).
5. Secure the fixture to the crossarm by placing the main fixture mounting bolt through the toothed washer (A), horizontal aiming plate, and the hole in the crossarm.
6. Replace the slit washer (B) and nut (C) on the main fixture mounting bolt and tighten to 150 ft. lbs.

Mounting Notes:

- Ensure that the crossarm has adequate strength to support your desired number of fixture.
- SLS5010 mounting brackets are available when obstructions will not allow center fixture mounting on three-fixture brackets.
- DO NOT mount fixtures directly to concrete.

Wiring Instructions: (See Figures 1 & 2)

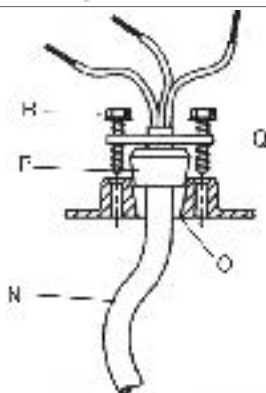
WARNING!

Units having two or more voltage taps: Remove the wirenut from the desired voltage lead and connect lead to supply conductor. Replace wirenut on unused voltage lead. Failure to replace wirenut on unused voltage lead will result in high voltage shock hazard.

NOTE: All wiring is to be done in the wiring compartment (H) at the rear of the ballast housing. Use minimum 90 C. SOWA. cord. (14/3 cord is required for fixture using 1500 watt lamps when fixtures are wired for 120V).

1. Specific wire gauge and wiring methods may be required by local or national codes; consult local inspection agencies for details prior to ordering.
2. Loosen (6) cover screws (I) and set cover aside. Removal of green wire tether is not recommended.
3. Feed supply cord (N) into ballast housing through the wireway hole (O) in the bottom of the wiring compartment (H), through the properly sized rubber seal (P) and the center hole in the retaining plate (Q).
4. The end of the cord's outer jacket should not extend beyond 1" into the wiring compartment.
5. Tighten the (2) screws (R) to retain the supply cord.
6. Connect supply power leads to ballast primary leads in accordance with local and NEC Codes.
7. Attach ground lead to green ground screw inside wiring compartment and replace cover (J), ensuring that no wires are pinched inside housing.

Figure 2



SLS SERIES FLOODLIGHT GLARE AND SPILL CONTROL

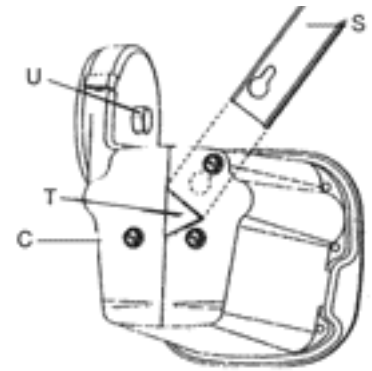
INSTALLATION AND SERVICING INSTRUCTIONS

Target Aiming Instructions: (See Figures 1,3a,3c)

(Aiming Sight "SLSAIMINGSIGHTAXL" to be ordered separately)

1. Install aiming sight bracket (S) in the socket housing (C) as shown in Figure 3a. Ensure alignment to boss (T).
2. Loosen main fixture mounting bolt (M) add socket housing retaining bolt (U).
3. Look through the hole at the outermost end of the aiming sight bracket.
4. Align center of hole with the top left edge of lens door retaining latch (V) as shown in Figure 3b.
5. Aim the fixture by aligning the hole and the left edge of the latch with the desired aiming location. See Figure 3c.
6. Tighten the main mounting bolt (M) to 150 ft. lbs. and the socket housing retaining bolt (U) to 35-40 ft. lbs.
7. Rotate the aiming/repositioning stop bracket (X) BACKWARDS until the stop rest firmly against the tab on the socket housing and tighten the retaining screw (W). (See Figure 4).

Figure 3a



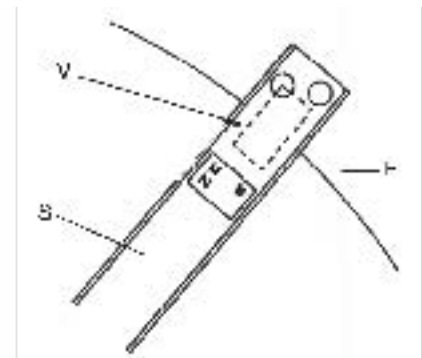
Fast Aim Aiming Instructions:

NOTE: Target aiming is the IES preferred aiming method. Some minor adjustments may be required as with any preset aiming system.

To position the fixture horizontally: (See Figure 1)

1. Loosen main fixture mounting bolt (M).
2. Rotate the fixture to desired position using the horizontal aiming indicator (Y) and the degree markings on the horizontal aiming plate (K).
3. Tighten the main mounting bolt (M) to 150 ft. lbs.

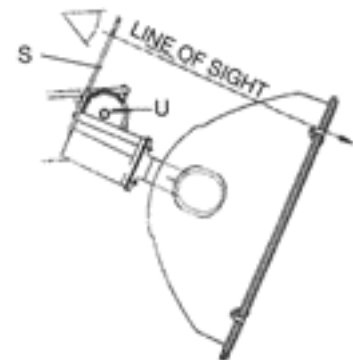
Figure 3b



To position the fixture vertically: (See Figure 4)

4. Loosen the screw (W) holding the vertical aiming/repositioning stop bracket (X).
5. Rotate the bracket to the desired position using arrow indicator (Z) on the ballast housing and degree markings on the bracket.
6. Tighten the bracket retaining screw (W).
7. Loosen the socket housing retaining bolt (U) and rotate the socket/reflector assembly forward until it rests against the aiming stop bracket (X).
8. Tighten the socket housing retaining bolt (U) to 35-40 ft. lbs.

Figure 3c



Relamping Instructions:

1. Ensure repositioning stop (X) is set and loosen the socket housing retaining bolt (U).
2. Rotate socket/reflector assembly back to gain access to lamp compartment.
3. Release latches and swing lens door assembly open.
4. After relamping, reverse steps 2 & 3. Ensure proper seal of lens door gasket.
5. Tighten the socket housing bolt (U) to 35-40 ft. lbs.

Figure 4

