

REMOTE YOKE HEAD HORIZONTAL OPTICS

Installation Instructions

GENERAL SAFETY WARNING!

Dangerous voltages exist within these fixtures and all precautions usually observed in handling high voltage equipment should be observed when replacing lamps, installing or otherwise servicing these fixtures.

DO NOT AIM ABOVE HORIZONTAL

WARNING!

To reduce fire and shock hazard: Disconnect power before servicing. Install and maintain fixture to meet all applicable codes. Ensure that fixtures and wiring are properly grounded. Read and follow all instructions, electrical data markers, lamp carton warnings and wiring labels before installing. Installation of fixture is to be performed by a qualified, licensed electrician only. The installer of this fixture is responsible for safe, secure mounting suitable for the application. Once fixture is installed, give these instructions to the equipment owner.

CAUTION!

High temperature tempered glass sometimes ruptures spontaneously. Install to minimize hazard of falling diced glass.

Unpacking Instructions:

While unpacking, it is important to verify the location of all parts before discarding any packaging materials.

Assembly Instructions:

1. Open lens assembly
2. Install lamp. Secure lamp with lamp end support wire form.
3. Close lens assembly.
4. Ensure the gasket is seated properly and snap the (4) latches over the reflector flange.

Mounting Instructions (See Figure 1a)

1. Install the fixture by mounting the yoke to the appropriate auxiliary mounting adapter (4090 or 4042C) with (2) 1/2" bolts, washers and nuts or (1) 3/4" bolt, washer and nut supplied by others. (Consult product selections guide for available mounting adapters.)
2. Attach the fixture to your pole or other mounting device. Ensure that once installed, the fixture's cord exit hole and reflectors/lens hinge are facing downward.

Wiring Instructions: (See Figures 1b & 2)

1. Loosen the (2) wiring cover screws (M) and swing the cover away to expose the wiring compartment.
2. Feed supply cord (N) into the wiring compartment through the wiring hole (O) in the bottom of the socket housing
3. Feed supply cord through the appropriate rubber seal (P) and through the center hole in the retaining plate.
4. Install the retaining plate using (2) #10-24 screws (R) provided. When installed, the end of the cord's outer jacket should not extend beyond 1/2" into the wiring compartment.
5. Tighten the (2) screws (R) to retain the supply cord.
6. Connect supply power leads to socket leads in accordance with local and NEC Codes.
7. Attach ground lead to green ground screw inside wiring compartment and replace cover, ensuring that no wires are pinched inside housing.
8. Replace wiring cover and tighten screws (M)

Target Aiming Instructions: (See Figures 2&3)

1. Loosen (2) yoke bolts (L)
2. Loosen repositioning stop bolt (J)
3. Loosen the bolts holding the auxiliary mounting adapter to the pole or mounting surface.
4. Loosen but do not remove (2) wiring compartment cover screws (M)

5. Place keyhole slot in aiming holes located as shown in figure 3.
6. Be sure that the aiming sight bracket (S) slides all the way down and is firmly seated under BOTH screw heads and tighten screws (M)
7. Look through the holes at the end of the aiming sight bracket (S). Use the hole above the "M" for medium and narrow, "W" for wide distribution reflectors.
8. Align the center of the hole with TOP LEFT edge of the door retaining latch (T).
9. Aim the fixture by aligning the hole in the aiming bracket and the left edge of the latch with the desired aiming location.
10. Once the fixture is aimed, tighten only the yoke bolt (L) on the side opposite the repositioning stop (K).
11. Tighten the bolts holding the auxiliary mounting adapter to the pole or mounting surface.
12. Rotate the repositioning stop (K) until the tab resets firmly against the yoke (H) and tighten the repositioning stop bolt (J). Tighten the other yoke bolt (L).
13. Remove the aiming sight bracket (S) and save the bracket for the owner.
14. Tighten the (2) cover screws (M).

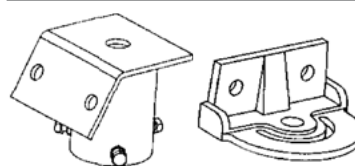


FIGURE 1a

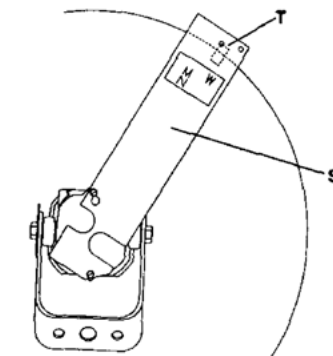


FIGURE 3

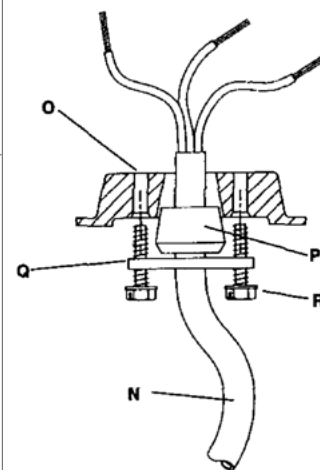


FIGURE 1b

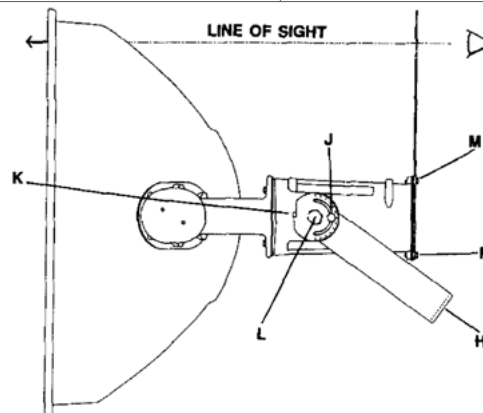


FIGURE 2