

**INSTALLATION INSTRUCTIONS**

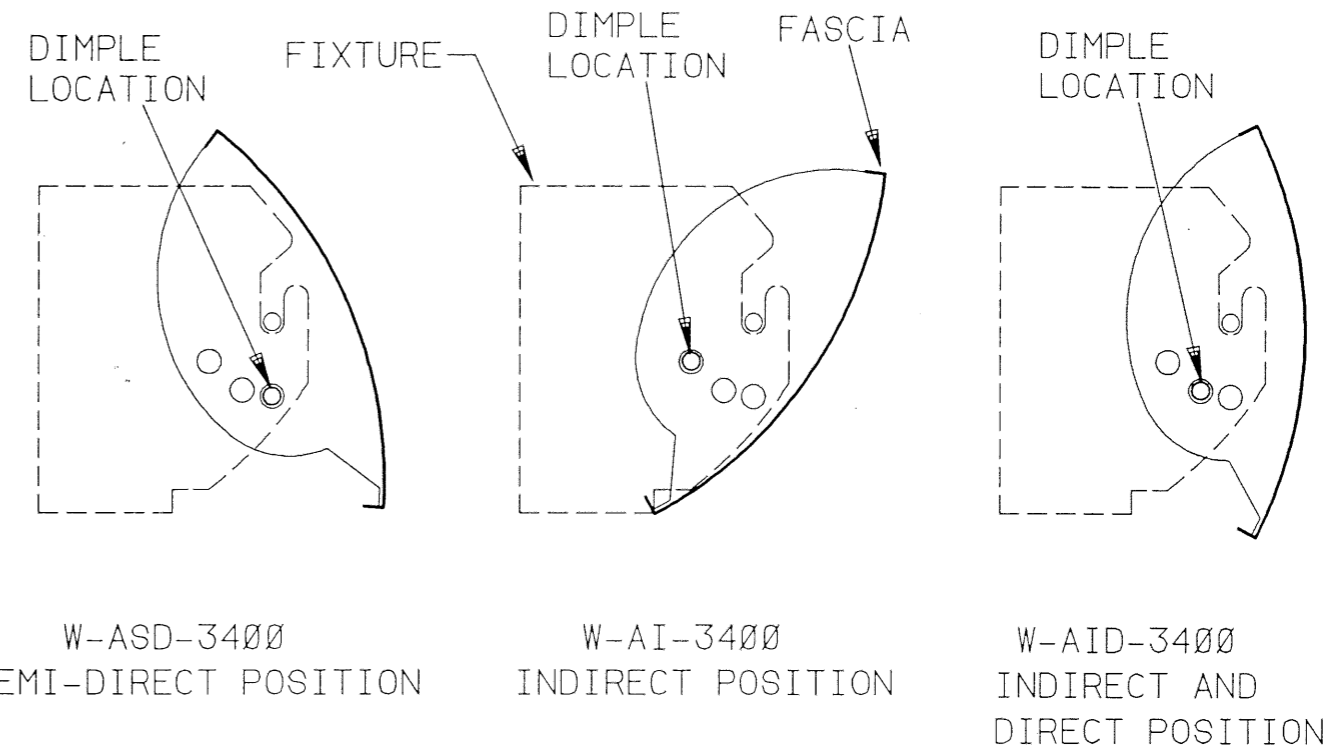
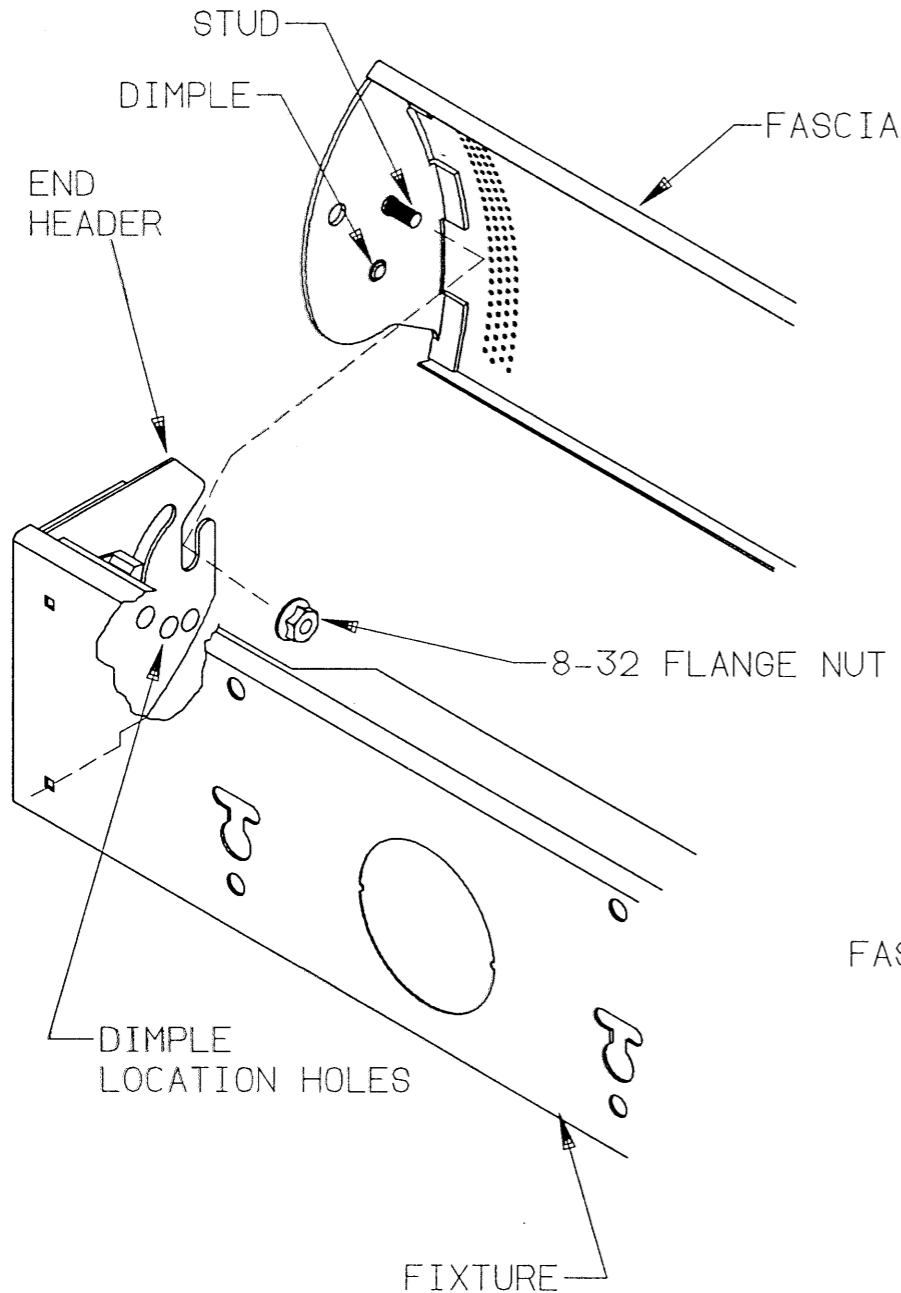
PART NO. 510382-3000

FIXTURE TYPE \_\_\_\_\_

FASCIA W-AI-3400  
W-ASD-3400  
W-AID-3400

PG. 1 OF 1

DO NOT MODIFY OR ALTER THIS PRODUCT IN ANY WAY, OR INSTALL IN ANY FASHION WHICH IS CONTRARY TO THE INSTRUCTIONS CONTAINED HEREIN. IF YOU HAVE ANY QUESTIONS REGARDING THIS PRODUCT OR THE INSTALLATION OF IT, PLEASE CALL LITECONTROL ENGINEERING AT 781-294-0100.



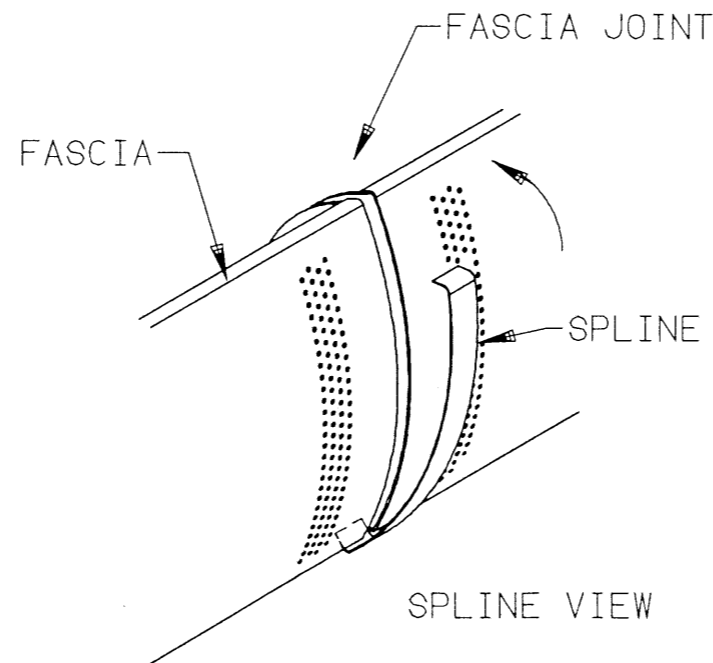
END VIEWS

GENERAL NOTES:

1. This installation sheet is used with fixture instruction sheet 510380.
  2. Fascia's are installed after fixtures have been mounted to wall.
  3. Fascia's may be rotated into one of (3) positions as shown in End Views.
- CAUTION: INSTALL FASCIA'S PER FIXTURE CATALOG NUMBER.

INSTRUCTIONS:

1. Insert studs at both ends of Fascia into open slots in fixture end headers.
2. Rotate Fascia so that dimples snap into the correct end header holes for the position required.
3. Secure Fascia with a 8-32 Flange nut at both ends.
4. At each joint where two fascia's come together, snap a spline over both surfaces as shown in view.



SPLINE VIEW